

342144-1 ✓ ACTIVE

PLASTI-GRIP

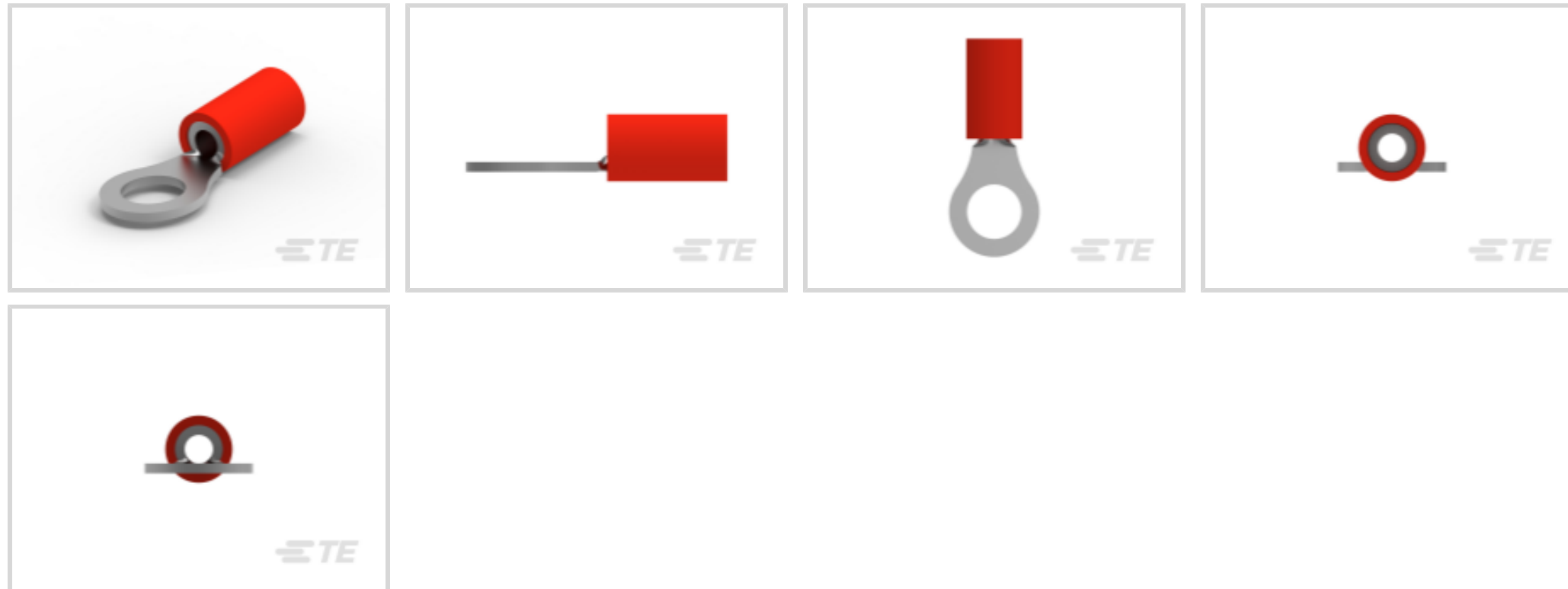
TE Internal #: 342144-1

Closed Ring Tongue Terminal, 16 – 14 AWG, M5 Stud Size, 5.3 mm [.207 in] Stud Diameter, Closed Barrel, Straight, Tin, Partially Insulated, PLASTI-GRIP

[View on TE.com >](#)



Terminals & Splices > Ring Terminals



Ring Terminal Product Type: Closed Ring Tongue Terminal

Wire Size: 1 – 2.5 mm²

Stud Size: M5

Stud Diameter: 5.3 mm [.207 in]

Features

Product Type Features

Ring Terminal Product Type	Closed Ring Tongue Terminal
Stud Size	M5
Sealable	No
Wire Insulation Support Retention Type	Insulation Support
Terminal Features	Sheared

Dimensions

Wire Size	1 – 2.5 mm ²
Stud Diameter	5.3 mm [.207 in]
Tongue Thickness	.79 mm [.031 in]
Product Length	22.4 mm [.882 in]
Compatible Insulation Diameter (Max)	4.9 mm [.193 in]
Compatible Insulation Diameter Range	3 – 4.9 mm [.118 – .193 in]

Contact Features

Barrel Type	Closed
Terminal Orientation	Straight



Terminal Plating Material	Tin
---------------------------	-----

Usage Conditions

Insulation Option	Partially Insulated
Operating Temperature Range	105 °C[221 °F]

Operation/Application

Compatible With Wire Base Material	Copper
Compatible With Wire Plating Material	Tin

Packaging Features

Packaging Method	Loose Piece
Packaging Quantity	100

Other

EU RoHS Compliance	Compliant
EU ELV Compliance	Compliant

Configuration Features

Number of Holes	1
-----------------	---

Electrical Characteristics

Voltage Rating	600 V
----------------	-------

Body Features

Product Weight	.979 g
Insulation Sleeve Color	Blue
Stripe Color	Blue

Mechanical Attachment

Wire Insulation Support	Without
-------------------------	---------

Industry Standards

Government Qualified Terminal	No
-------------------------------	----

Product Compliance

[For compliance documentation, visit the product page on TE.com>](#)

EU RoHS Directive 2011/65/EU	Compliant
EU ELV Directive 2000/53/EC	Compliant
China RoHS 2 Directive MIIT Order No 32, 2016	No Restricted Materials Above Threshold



EU REACH Regulation (EC) No. 1907/2006

Current ECHA Candidate List: JUNE 2024 (241)

Candidate List Declared Against: JUNE 2024 (241)

Does not contain REACH SVHC

Halogen Content

Not Low Halogen - contains Br or Cl > 900 ppm.

Solder Process Capability

Not applicable for solder process capability

Product Compliance Disclaimer

This information is provided based on reasonable inquiry of our suppliers and represents our current actual knowledge based on the information they provided. This information is subject to change. The part numbers that TE has identified as EU RoHS compliant have a maximum concentration of 0.1% by weight in homogenous materials for lead, hexavalent chromium, mercury, PBB, PBDE, DBP, BBP, DEHP, DIBP, and 0.01% for cadmium, or qualify for an exemption to these limits as defined in the Annexes of Directive 2011/65/EU (RoHS2). Finished electrical and electronic equipment products will be CE marked as required by Directive 2011/65/EU. Components may not be CE marked. Additionally, the part numbers that TE has identified as EU ELV compliant have a maximum concentration of 0.1% by weight in homogenous materials for lead, hexavalent chromium, and mercury, and 0.01% for cadmium, or qualify for an exemption to these limits as defined in the Annexes of Directive 2000/53/EC (ELV). Regarding the REACH Regulation, the information TE provides on SVHC in articles for this part number is based on the latest European Chemicals Agency (ECHA) 'Guidance on requirements for substances in articles' posted at this URL: <https://echa.europa.eu/guidance-documents/guidance-on-reach>

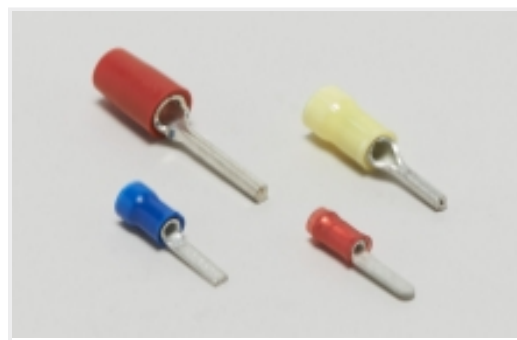
Compatible Parts



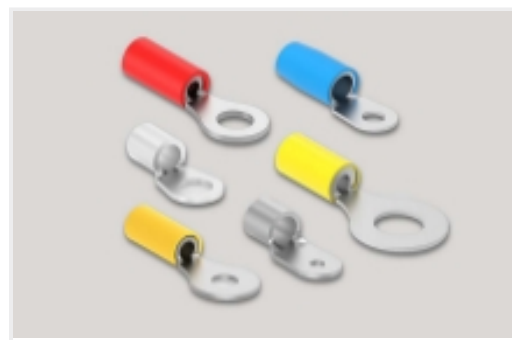
Also in the Series | **PLASTI-GRIP**



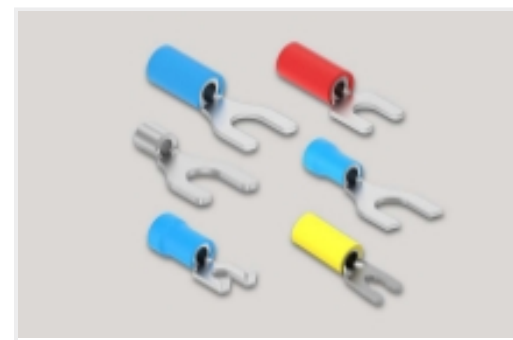
Compression Connectors(3)



Crimp Wire Pins, Tabs & Ferrules(18)



Ring Terminals(297)

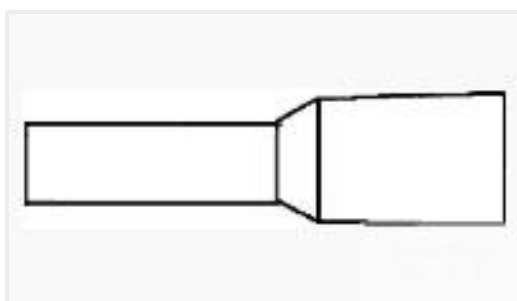


Spade Terminals(157)



Splices(44)

Customers Also Bought



TE Part #3-966292-3
FER,WIRE,PL SLV,25.00/4,L16,BLACK,LP



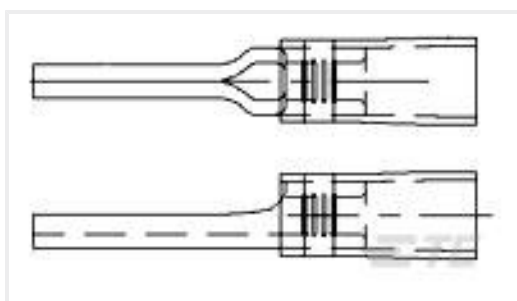
TE Part #66102-6
III+ PIN,24-20,30AU>10,STRIP



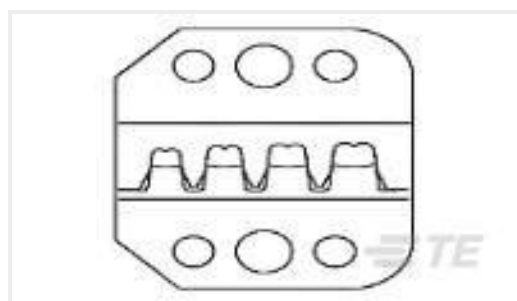
TE Part #66100-6
III+ SKT,18-16,30AU>10,STRIP



TE Part #171551-2
P.G SPADE



TE Part #696273-2
TERM, WIRE PIN, PIDG, 22-16, T&R



TE Part #58530-2
PROCRIMPER DIE



TE Part #225777-E
POWELM STIFT VOLLM M5 8 2,54 * EP 4,0 *



TE Part #626038-2
RING TONGUE 4-6 MM2 0.79 X 16.18 TPBR



TE Part #345256-1
ANTI-BACKOUT 3WAY REC HSGECONO

Documents



Product Drawings

16-14 F.E.P/G RING TONGUE

English

CAD Files

3D PDF

3D

Customer View Model

[ENG_CVM_CVM_342144-1_N.2d_dxf.zip](#)

English

Customer View Model

[ENG_CVM_CVM_342144-1_N.3d_igs.zip](#)

English

Customer View Model

[ENG_CVM_CVM_342144-1_N.3d_stp.zip](#)

English

By downloading the CAD file I accept and agree to the [Terms and Conditions](#) of use.

Product Specifications

Application Specification

English