

2-87456-0 ✓ ACTIVE

AMPMODU | AMPMODU IV/V

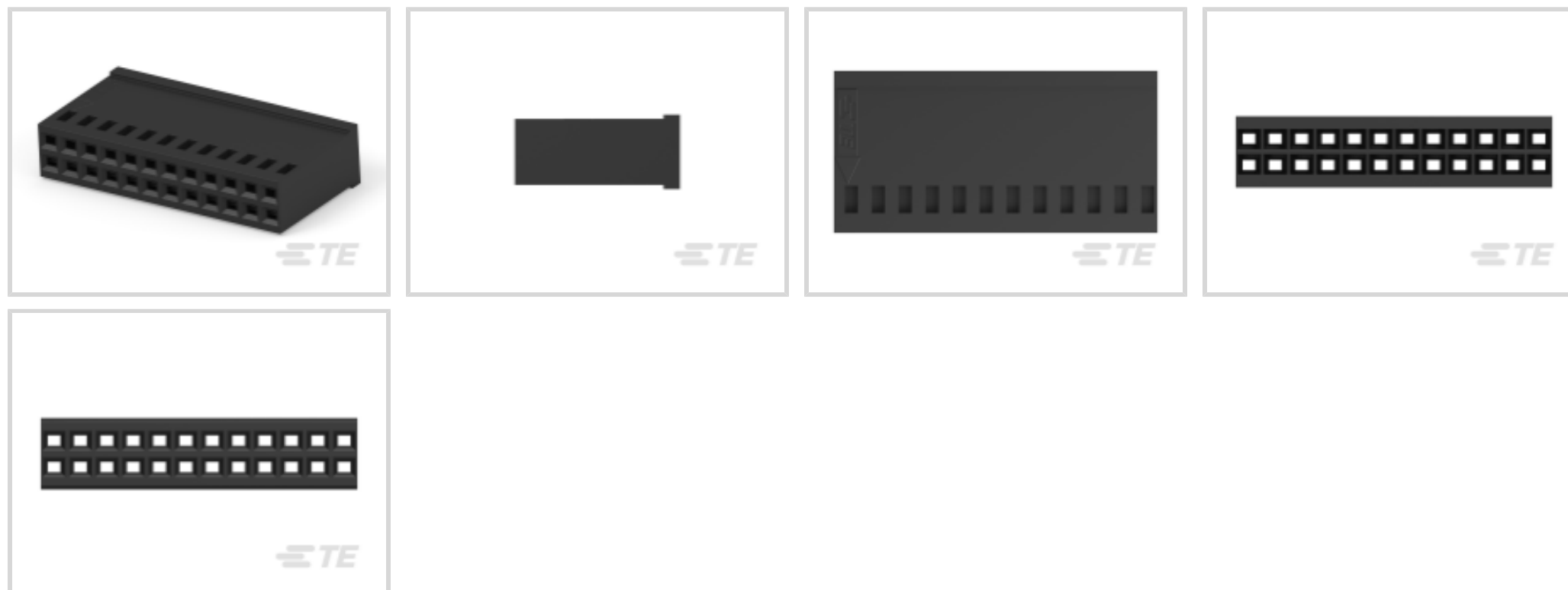
TE Internal #: 2-87456-0

Housing, Receptacle, Wire-to-Board, 24 Position, 2.54 mm [.1 in]  
Centerline, Crimp, 2 Row, Black, Wire & Cable, Signal, AMPMODU  
IV/V

[View on TE.com >](#)



Connectors > PCB Connectors > Wire-to-Board Connectors > Wire-to-Board Connector Assemblies & Housings



Connector Product Type: **Housing**

Connector & Housing Type: **Receptacle**

Connector System: **Wire-to-Board**

Number of Positions: **24**

Centerline (Pitch): **2.54 mm [.1 in]**

## Features

### Product Type Features

|                                   |               |
|-----------------------------------|---------------|
| Connector Product Type            | Housing       |
| Connector & Housing Type          | Receptacle    |
| Connector System                  | Wire-to-Board |
| Connector & Contact Terminates To | Wire & Cable  |

### Configuration Features

|                     |    |
|---------------------|----|
| Number of Positions | 24 |
| Number of Rows      | 2  |

### Housing Features

|                             |                  |
|-----------------------------|------------------|
| Centerline (Pitch)          | 2.54 mm [.1 in]  |
| Housing Material            | Nylon - GF       |
| Housing Entry Configuration | Both Ends Closed |

### Termination Features

|                                    |       |
|------------------------------------|-------|
| Termination Method to Wire & Cable | Crimp |
|------------------------------------|-------|

### Dimensions

|                    |                   |
|--------------------|-------------------|
| Row-to-Row Spacing | 2.54 mm[.1 in]    |
| Connector Height   | 6.1 mm[.24 in]    |
| Connector Length   | 30.61 mm[1.21 in] |

### Body Features

|                       |       |
|-----------------------|-------|
| Primary Product Color | Black |
|-----------------------|-------|

### Mechanical Attachment

|                  |         |
|------------------|---------|
| Mating Retention | Without |
| Strain Relief    | Without |

### Contact Features

|                              |                  |
|------------------------------|------------------|
| Contact Current Rating (Max) | 3 A              |
| Contact Base Material        | Beryllium Copper |
| Contact Type                 | Socket           |

### Operation/Application

|                     |        |
|---------------------|--------|
| Circuit Application | Signal |
|---------------------|--------|

### Usage Conditions

|                             |                            |
|-----------------------------|----------------------------|
| Operating Temperature Range | -65 – 105 °C[-85 – 221 °F] |
|-----------------------------|----------------------------|

### Other

|                    |           |
|--------------------|-----------|
| EU RoHS Compliance | Compliant |
| EU ELV Compliance  | Compliant |

### Electrical Characteristics

|                                       |         |
|---------------------------------------|---------|
| Operating Voltage                     | 250 VAC |
| Termination Resistance                | 12 mΩ   |
| Dielectric Withstanding Voltage (Max) | 750 V   |
| Insulation Resistance                 | 5000 MΩ |

### Industry Standards

|   |                               |
|---|-------------------------------|
| UL Flammability Rating                      | UL 94V-0                      |
| Compatible With Approved Standards Products | UL E28476, CSA LR7189         |
| Glow Wire Rating                            | Standard Part - Not Glow Wire |

### Packaging Features

|                  |     |
|------------------|-----|
| Packaging Method | Bag |
|------------------|-----|



Packaging Quantity

100

### Product Compliance

[For compliance documentation, visit the product page on TE.com>](#)

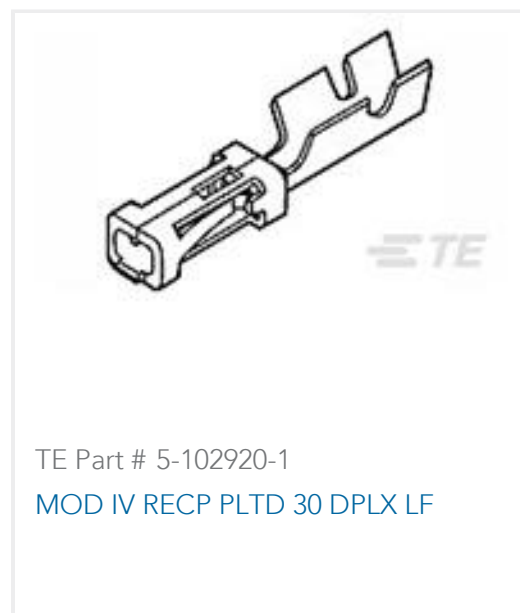
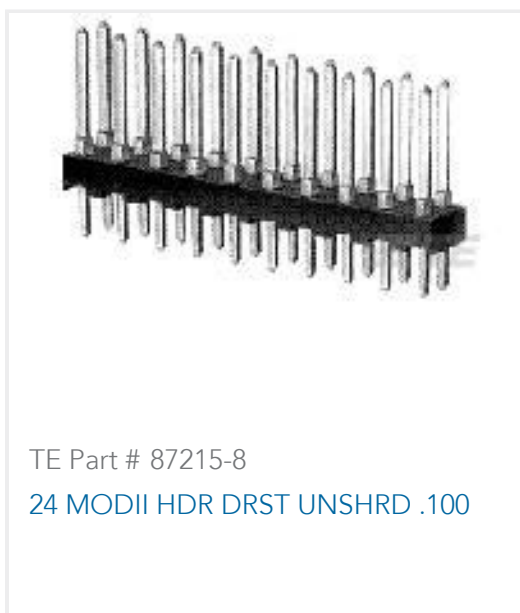
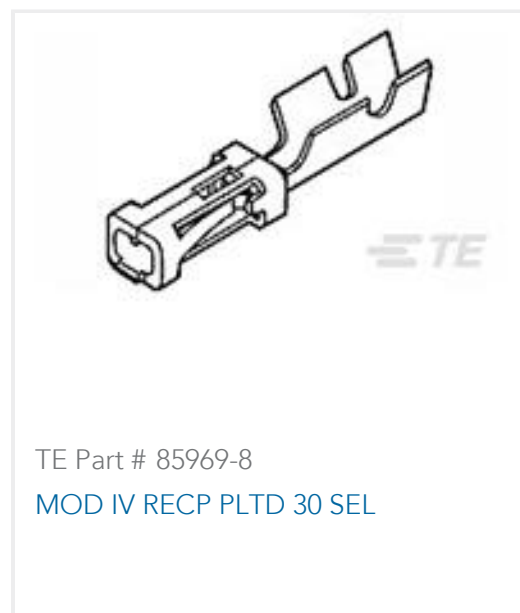
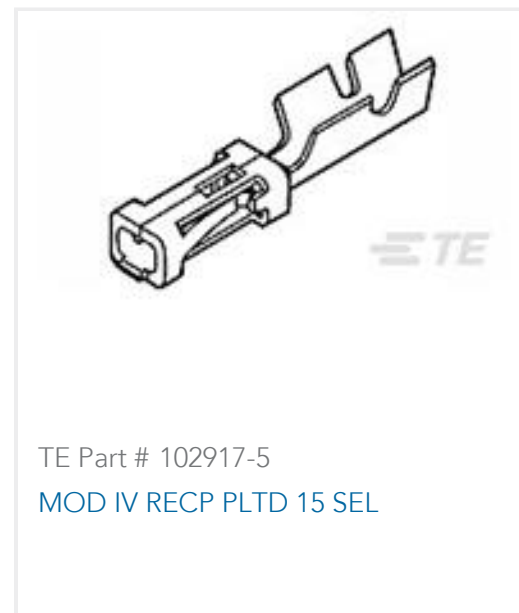
|   |   |
|---|---|
| EU RoHS Directive 2011/65/EU                  | Compliant   |
| EU ELV Directive 2000/53/EC                   | Compliant   |
| China RoHS 2 Directive MIIT Order No 32, 2016 | No Restricted Materials Above Threshold   |
| EU REACH Regulation (EC) No. 1907/2006        | Current ECHA Candidate List: JUNE 2024 (241)<br>Candidate List Declared Against: JUNE 2024 (241)<br>Does not contain REACH SVHC |
| Halogen Content                               | Low Halogen - Br, Cl, F, I < 900 ppm per homogenous material. Also BFR/CFR/PVC Free   |
| Solder Process Capability                     | Not applicable for solder process capability  |

#### Product Compliance Disclaimer

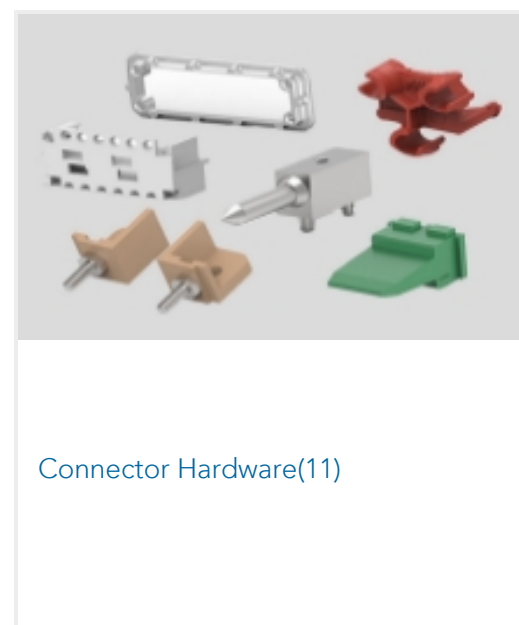
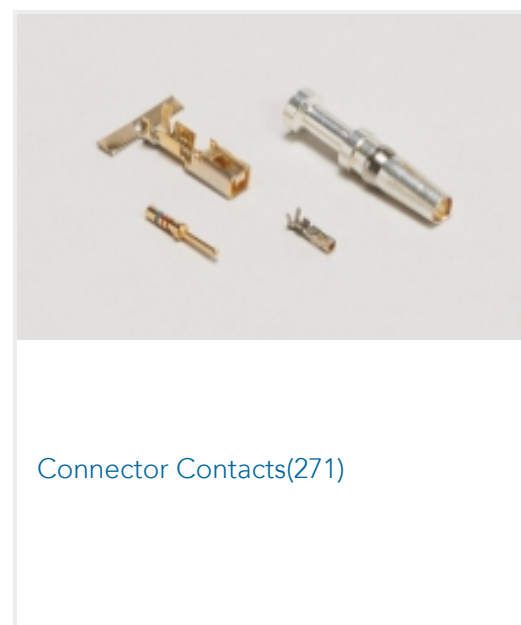
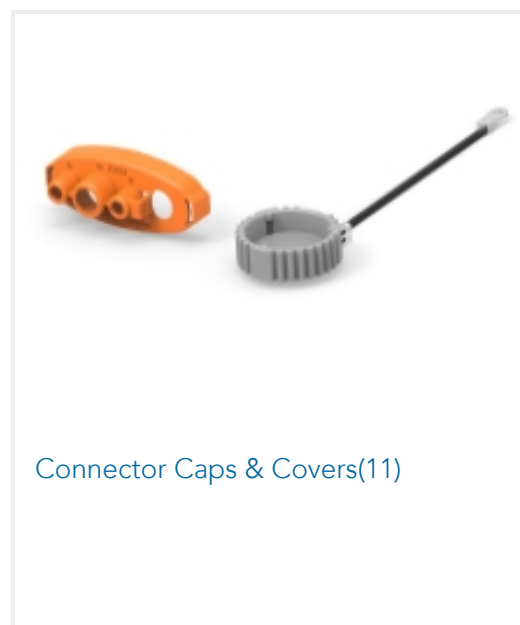
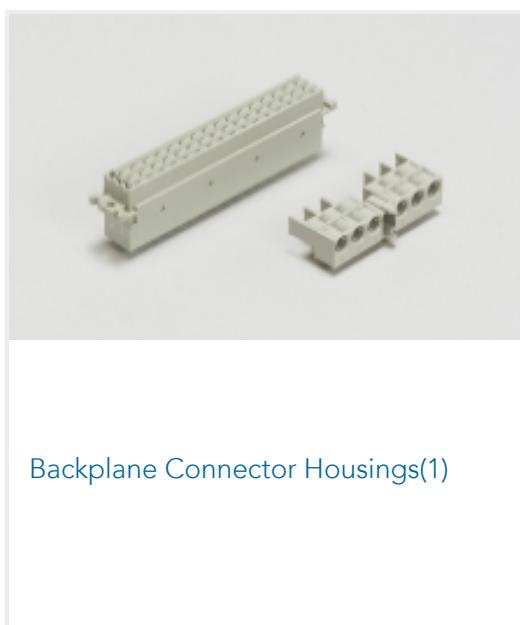
This information is provided based on reasonable inquiry of our suppliers and represents our current actual knowledge based on the information they provided. This information is subject to change. The part numbers that TE has identified as EU RoHS compliant have a maximum concentration of 0.1% by weight in homogenous materials for lead, hexavalent chromium, mercury, PBB, PBDE, DBP, BBP, DEHP, DIBP, and 0.01% for cadmium, or qualify for an exemption to these limits as defined in the Annexes of Directive 2011/65/EU (RoHS2). Finished electrical and electronic equipment products will be CE marked as required by Directive 2011/65/EU. Components may not be CE marked. Additionally, the part numbers that TE has identified as EU ELV compliant have a maximum concentration of 0.1% by weight in homogenous materials for lead, hexavalent chromium, and mercury, and 0.01% for cadmium, or qualify for an exemption to these limits as defined in the Annexes of Directive 2000/53/EC (ELV). Regarding the REACH Regulation, the information TE provides on SVHC in articles for this part number is based on the latest European Chemicals Agency (ECHA) 'Guidance on requirements for substances in articles' posted at this URL: <https://echa.europa.eu/guidance-documents/guidance-on-reach>

### Compatible Parts



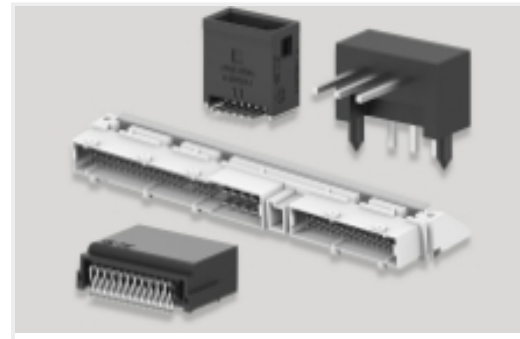


Also in the Series | **AMPMODU IV/V**





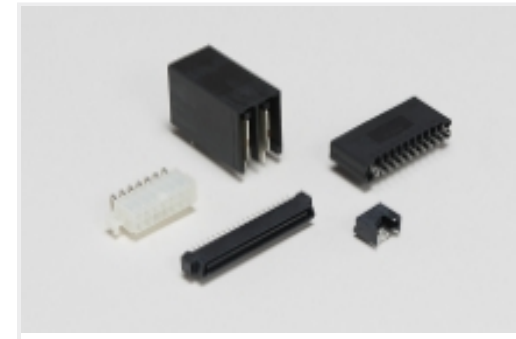
Insertion & Extraction Tools(4)



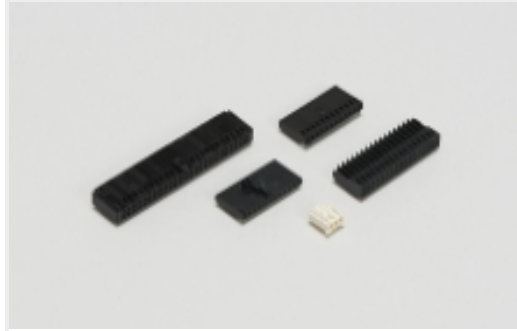
PCB Headers & Receptacles(517)



Rectangular Connector Housings(5)



Standard Rectangular Connectors(3)

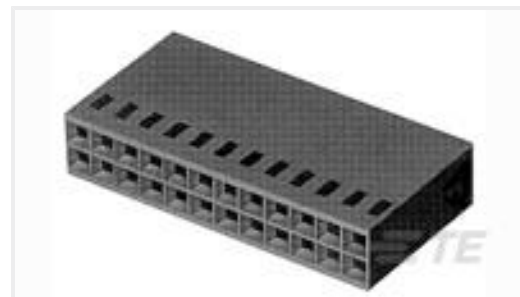


Wire-to-Board Connector Assemblies & Housings(394)

## Customers Also Bought



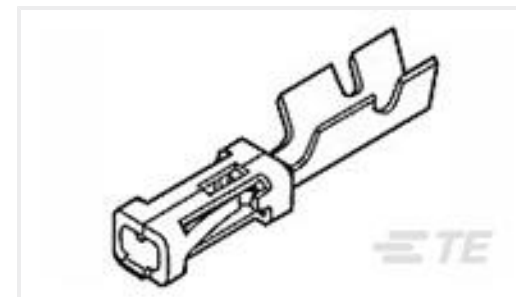
TE Part #1-104482-8  
40 SHORT PT RCPT HSG DR .100CL



TE Part #87456-5  
10 MODIV HSG COMP DR .100CL



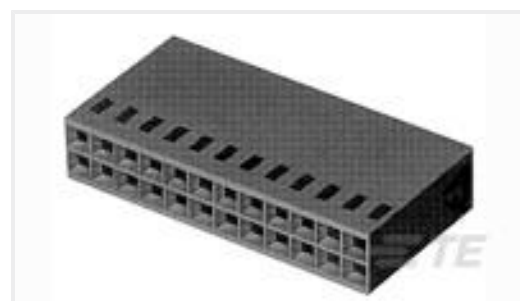
TE Part #1-1393771-7  
JWD-171-25=REED RELAYS



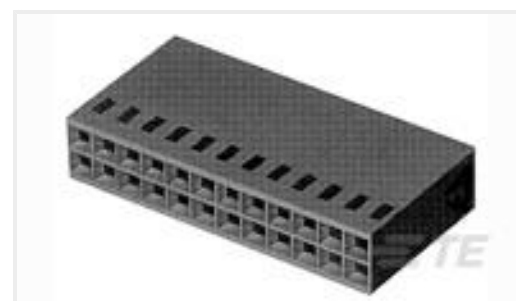
TE Part #2-87195-4  
MOD IV RECP PLTE 15 DPLX



TE Part #1-87456-1  
16 MODIV HSG COMP DR .100CL



TE Part #1-87456-6  
20 MODIV HSG DR MRKD .100CL



TE Part #2-87456-5  
30 MODIV HSG COMP DR .100CL



TE Part #3-87456-5  
40 MODIV HSG COMP DR .100CL



TE Part #5-87456-2  
60 MODIV HSG DR MRKD .100CL

## Documents



**CAD Files**

**3D PDF**

English

**Customer View Model**

[ENG\\_CVM\\_2-87456-0\\_P.2d\\_dxf.zip](#)

English

**Customer View Model**

[ENG\\_CVM\\_2-87456-0\\_P.3d\\_igs.zip](#)

English

**Customer View Model**

[ENG\\_CVM\\_2-87456-0\\_P.3d\\_stp.zip](#)

English

**Customer View Model**

[ENG\\_CVM\\_CVM\\_2-87456-0\\_AP.3d\\_stp.zip](#)

English

**Customer View Model**

[ENG\\_CVM\\_CVM\\_2-87456-0\\_AP.3d\\_igs.zip](#)

English

**3D PDF**

3D

**Customer View Model**

[ENG\\_CVM\\_CVM\\_2-87456-0\\_AP.2d\\_dxf.zip](#)

English

By downloading the CAD file I accept and agree to the [Terms and Conditions](#) of use.

**Datasheets & Catalog Pages**

[AMPMODU\\_INTERCONNECTION\\_SYSTEM\\_SECTION5\\_CONT](#)

English

**Product Specifications**

[Application Specification](#)

English

**Agency Approvals**

[UL](#)

English