



CGS | CGS 3430

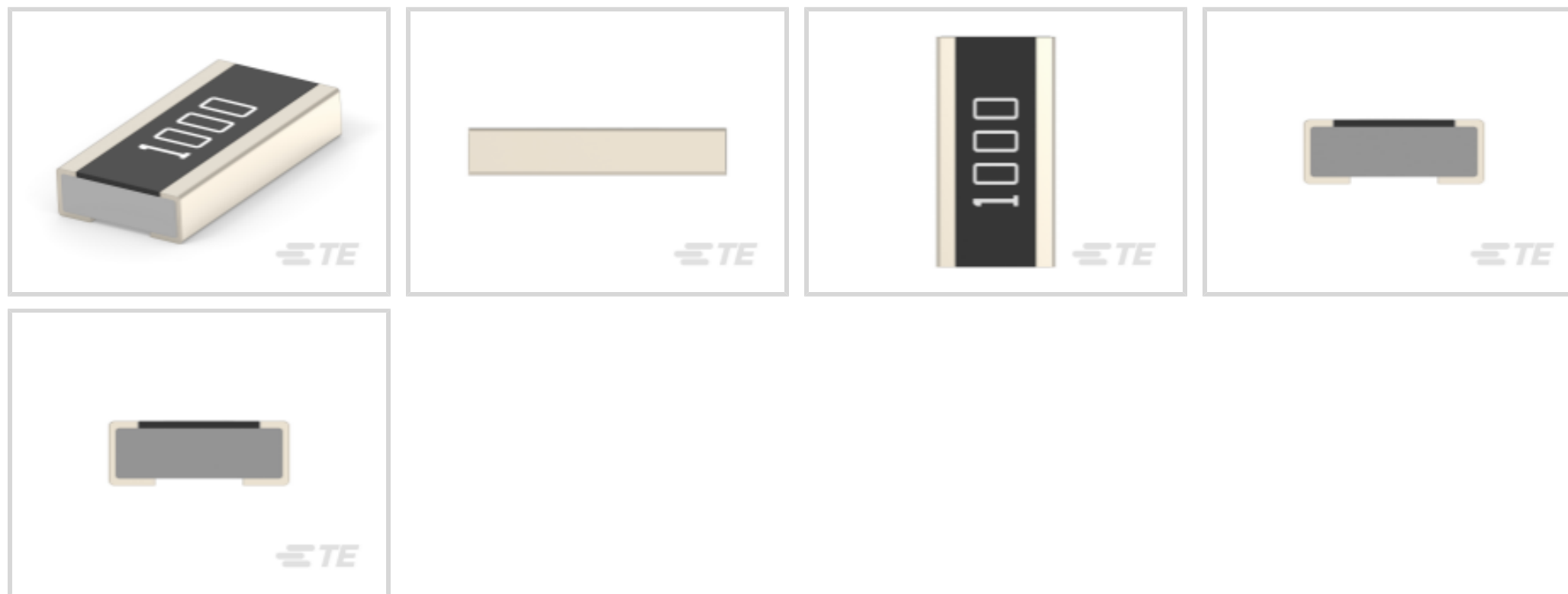
TE Internal #: 9-2176558-2

Power Resistor, Thick Film, 0612, 1.5 W, 5.6K ohm, 1 %, ±100 ppm/°

C, Solder, 2 Termination, Height .55 mm [.022 in], CGS 3430

[View on TE.com >](#)

Passive Components > Resistors > Surface Mount Resistors



Resistor Type: **Power Resistor**

Element Type: **Thick Film**

Package Size Code: **0612**

Power Rating: **1.5 W**

Resistance Value: **5.6K Ω**

### Features

#### Product Type Features

Resistor Type	Power Resistor
Element Type	Thick Film
Package Size Code	0612

#### Electrical Characteristics

Power Rating	1.5 W
Resistance Value	5.6K Ω
Resistance Class	1kΩ – 1MΩ
Passive Component Tolerance	1 %
Operating Voltage	200 V

#### Usage Conditions

Temperature Coefficient	±100 ppm/°C
Operating Temperature Range	-55 – 155 °C

#### Termination Features

Surface Mount Resistor Termination Type	Solder
---	--------

Number of Terminations	2
------------------------	---

### Dimensions

Product Height	.55 mm [.022 in]
Product Length	1.55 mm [.061 in]
Product Width	3 mm [.118 in]

### Configuration Features

Number of Resistors	1
---------------------	---

### Packaging Features

Packaging Method	Taped & Reeled
------------------	----------------

### Other

EU RoHS Compliance	Compliant with Exemptions
EU ELV Compliance	Not Compliant

### Product Compliance

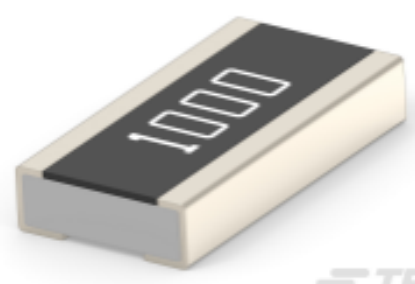
[For compliance documentation, visit the product page on TE.com>](#)

EU RoHS Directive 2011/65/EU	Compliant with Exemptions
EU ELV Directive 2000/53/EC	Not Compliant
China RoHS 2 Directive MIIT Order No 32, 2016	Restricted Materials Above Threshold
EU REACH Regulation (EC) No. 1907/2006	Current ECHA Candidate List: JUNE 2024 (241) Candidate List Declared Against: JUNE 2024 (241) Does not contain REACH SVHC
Halogen Content	Low Halogen - Br, Cl, F, I < 900 ppm per homogenous material. Also BFR/CFR/PVC Free
Solder Process Capability	Reflow solder capable to 260°C

#### Product Compliance Disclaimer

This information is provided based on reasonable inquiry of our suppliers and represents our current actual knowledge based on the information they provided. This information is subject to change. The part numbers that TE has identified as EU RoHS compliant have a maximum concentration of 0.1% by weight in homogenous materials for lead, hexavalent chromium, mercury, PBB, PBDE, DBP, BBP, DEHP, DIBP, and 0.01% for cadmium, or qualify for an exemption to these limits as defined in the Annexes of Directive 2011/65/EU (RoHS2). Finished electrical and electronic equipment products will be CE marked as required by Directive 2011/65/EU. Components may not be CE marked. Additionally, the part numbers that TE has identified as EU ELV compliant have a maximum concentration of 0.1% by weight in homogenous materials for lead, hexavalent chromium, and mercury, and 0.01% for cadmium, or qualify for an exemption to these limits as defined in the Annexes of Directive 2000/53/EC (ELV). Regarding the REACH Regulation, the information TE provides on SVHC in articles for this part number is based on the latest European Chemicals Agency (ECHA) 'Guidance on requirements for substances in articles' posted at this URL: <https://echa.europa.eu/guidance-documents/guidance-on-reach>

## Compatible Parts



TE Part # 9-2176556-2  
3430 B2 1% 5K6 100ppm 5k RL

## Also in the Series | CGS 3430



Surface Mount Resistors(1168)

## Customers Also Bought



TE Part #DT04-2P  
REC, 2P, GRY, N



TE Part #W2S  
Wedgelocks: DEUTSCH DT



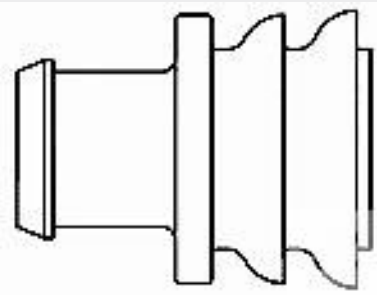
TE Part #0460-202-16141  
DEUTSCH Solid Contacts



TE Part #282104-1  
AMP SUPERSEAL 1.5MM,  
CONNECTOR HOUSING



TE Part #DT06-2S  
PLG, 2P, GRY, N



TE Part #281934-2  
SINGLE WIRE SEAL



TE Part #114017-ZZ  
SEALING PLUG, SIZE 12/16, WHT

## Documents

### Product Drawings

3430 B2 1% 5K6 100ppm 1k RL

English



### CAD Files

#### Customer View Model

[ENG\\_CVM\\_CVM\\_9-2176558-2\\_BA.3d\\_igs.zip](#)

English

#### Customer View Model

[ENG\\_CVM\\_CVM\\_9-2176558-2\\_BA.3d\\_stp.zip](#)

English

#### Customer View Model

[ENG\\_CVM\\_CVM\\_9-2176558-2\\_BA.2d\\_dxf.zip](#)

English

### 3D PDF

3D

By downloading the CAD file I accept and agree to the [Terms and Conditions](#) of use.

### Datasheets & Catalog Pages

#### Datasheet - CGS 3430 Series

English

#### Automotive Grade Wide Terminal Chip Resistor - Type 3430 Series

English