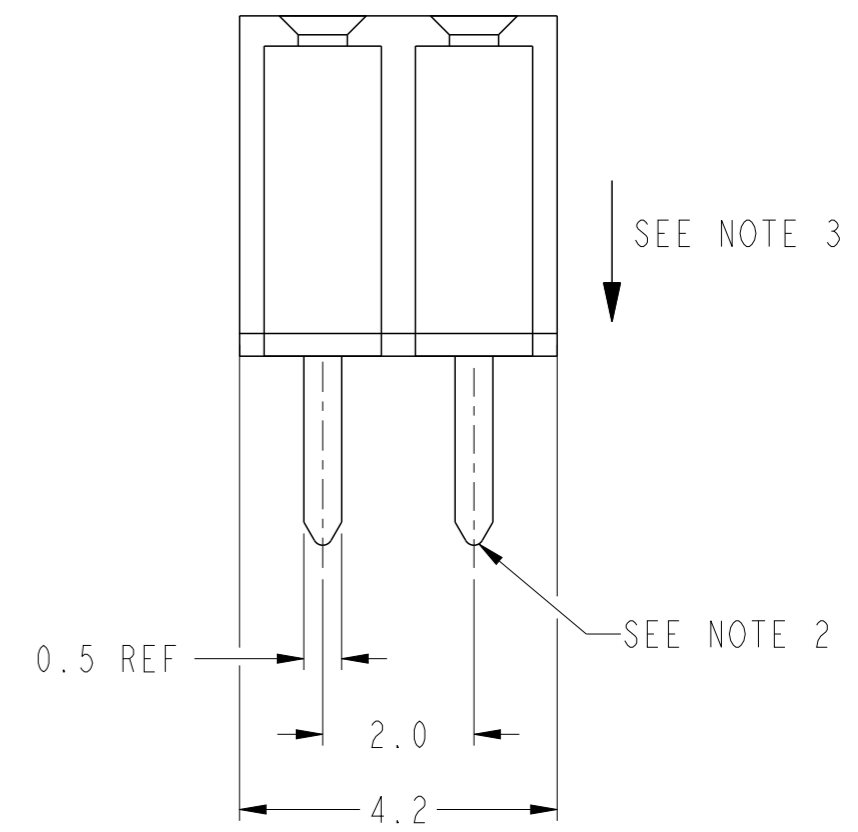
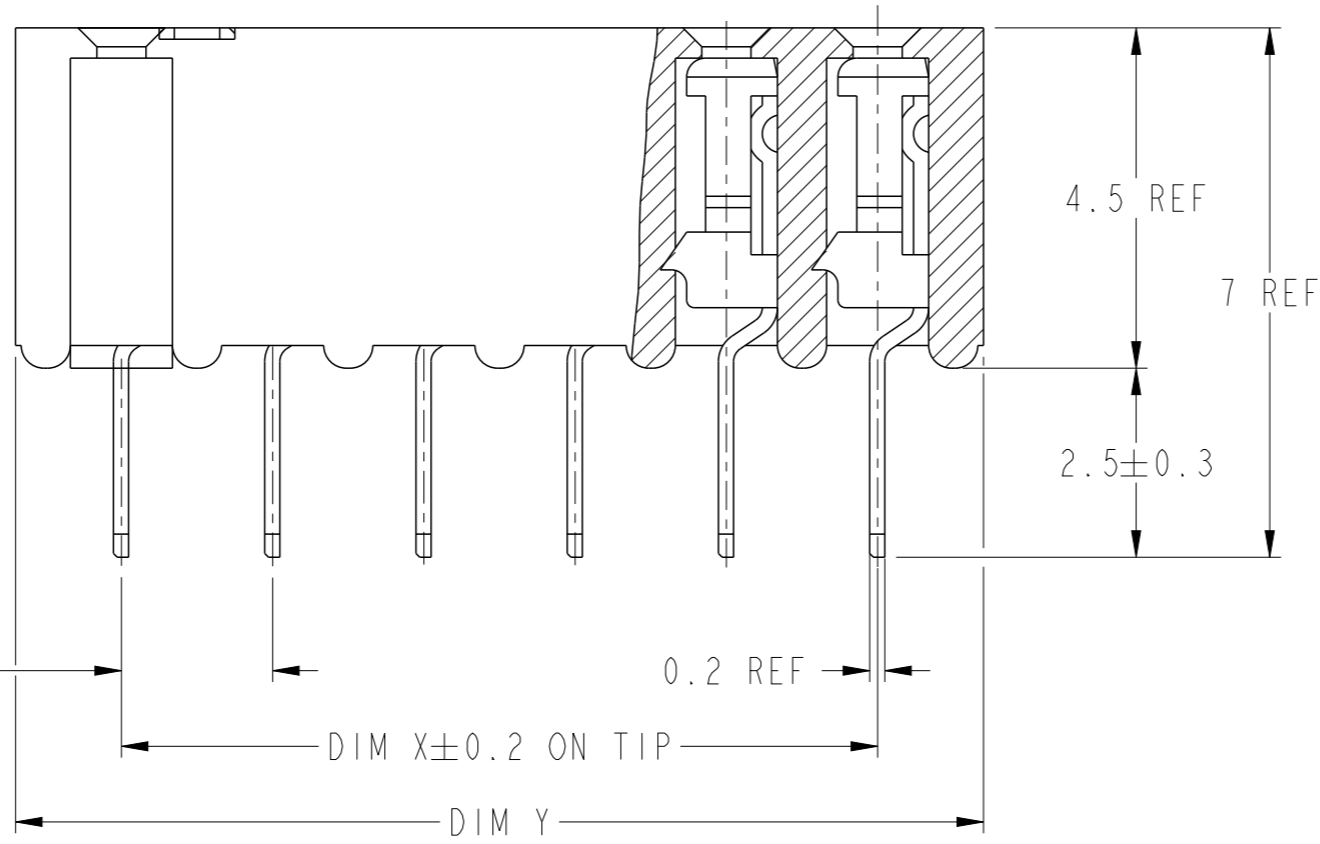


PC BOARD THK : 0.9 TO 1.3
RECOMMENDED MOUNTING HOLE LAYOUT



spec ref	-	dr	wcadmin, wcadm	2010/10/28	projection	MM	size	A3	scale	10:1		
tolerance std	ISO 406 ISO 1101	eng	Yuan-Yuan Bao	2020/10/26			ecn no	ELX-N-38731-1				
TOLERANCES UNLESS OTHERWISE SPECIFIED		chr	-	-			rel level	Released				
surface	linear	0.X	±-	Amphenol FCi	product family		MINITEK II VCC (HTP)		dwg no	87173	rev	G
		0.XX	±0.25		-		-		-		-	
	angular	0.XXX	±-		-		-		-		-	
		ISO 1302	0°	±°	cat. no.	-	Product - Customer Drw		sheet 1 of 2			

PRODUCT NO SEE NOTE 5	POS	DIM X	DIM Y
87173-X02	2 X 1	—OBSOLETE—	
-X04	2 X 2	2	4.8
-X06	2 X 3	4	6.8
-X08	2 X 4	6	8.8
-X10	2 X 5	8	10.8
-X12	2 X 6	10	12.8
-X14	2 X 7	12	14.8
-X16	2 X 8	14	16.8
-X18	2 X 9	16	18.8
-X20	2 X 10	18	20.8
-X22	2 X 11	20	22.8
-X24	2 X 12	22	24.8
-X26	2 X 13	24	26.8
-X28	2 X 14	26	28.8
-X30	2 X 15	28	30.8
-X32	2 X 16	30	32.8
-X34	2 X 17	32	34.8
-X36	2 X 18	34	36.8
-X38	2 X 19	36	38.8
-X40	2 X 20	38	40.8
-X42	2 X 21	40	42.8
-X44	2 X 22	42	44.8
-X46	2 X 23	44	46.8
-X48	2 X 24	46	48.8
-X50	2 X 25	48	50.8

CONTACT AREA PLATING	DESCRIPTION
0	0.2µm Au
1	0.76µm Au
2	UNASSIGNED
3	0.38µm Au
4	UNASSIGNED
5	UNASSIGNED
6	UNASSIGNED

NOTES:

- MATERIAL
BODY : HIGH TEMPERATURE THERMOPLASTIC, UL 94V-0, NATURAL
TERMINAL: COPPER ALLOY
- CUT SURFACE IS UNPLATED
- TERMINAL RETENTION FORCE 0.5 Kg MIN
- TOLERANCE UNLESS OTHERWISE NOTED ±0.25
- PRODUCT DESCRIPTION CODE:
XXXXX-XXXLF
 - LEAD FREE (SEE NOTES 6 & 9)
 - TOTAL POSITIONS
 - CONTACT AREA PLATING
 - BASE NUMBER
- SOLDERTAIL PLATING:
a) SOLDERTAIL OF 87173-XXX IS TIN/LEAD PLATED.
b) SOLDERTAIL OF 87173-XXXLF IS 100% MATTE TIN PLATED.
- THE HOUSING WILL WITHSTAND EXPOSURE TO 255°C PEAK TEMPERATURE FOR 10 SECONDS IN A CONVECTION, INFRA-RED OR VAPOR PHASE REFLOW OVEN.
- THE HOUSING WILL WITHSTAND EXPOSURE TO 260°C PEAK TEMPERATURE FOR 10 SECONDS IN A WAVE SOLDER APPLICATION WITH A 1.57MM MINIMUM THICK CIRCUIT BOARD.
- THIS PRODUCT MEETS EUROPEAN UNION DIRECTIVES AND OTHER COUNTRY REGULATIONS AS DESCRIBED IN GS-22-008.

spec ref	-	dr	wcadmin, wcadm	2010/10/28	projection	MM	size	A3	scale	10:1
tolerance std	ISO 406 ISO 1101	eng	Yuan-Yuan Bao	2020/10/26		← →	ecn no	ELX-N-38731-1		
TOLERANCES UNLESS OTHERWISE SPECIFIED		chr	-	-			rel level	Released		
surface	linear	appr	Tim Yao	2020/12/24	product family	-	rel level	Released		
ISO 1302	angular	Amphenol FCI		MINITEK II VCC (HTP)	dwg no	87173		rev	G	
		cat. no.	-	Product - Customer Drw	sheet 2 of 2					