

42511-1 ✓ ACTIVE

FASTON | FASTON 250

TE Internal #: 42511-1

Receptacle, 18 – 12 AWG Wire Size, .82 – 3.31 mm² Wire Size,

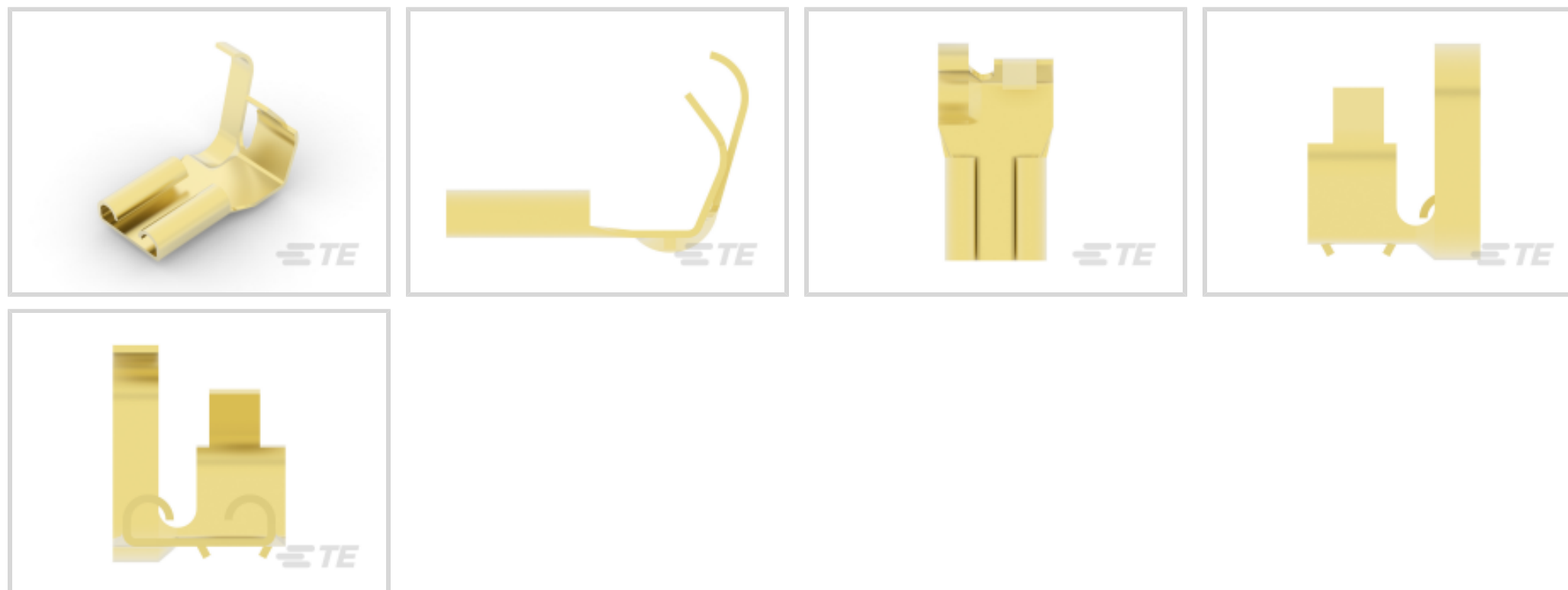
Mating Tab Width 6.35 mm [.25 in], Flag, Brass, FASTON 250, Quick

Disconnects

[View on TE.com >](#)



Terminals & Splices > Quick Disconnects



Quick Disconnect Terminal Type: **Receptacle**

Wire Size: **.82 – 3.31 mm²**

Mating Tab Width: **6.35 mm [.25 in]**

Mating Tab Thickness: **.81 mm [.032 in]**

Features

Mechanical Attachment

	.04 in
Wire Insulation Support	With
Mating Retention Type	Dimple

Contact Features

Quick Disconnect Terminal Type	Receptacle
Mating Tab Width	6.35 mm[.25 in]
Mating Tab Thickness	.81 mm[.032 in]
Terminal Orientation	Flag
Contact Base Material	Brass
Terminal Plating Material	Unplated
Crimp Type	Tab-Lok
Barrel Type	Open

Dimensions

Wire Size	.82 – 3.31 mm ²
Product Length	17.02 mm[.67 in]



Compatible Insulation Diameter Range	2.79 – 5.33 mm [.11 – .21 in]
Terminal Material Thickness	.41 mm [.016 in]

Packaging Features

Packaging Method	Strip/Reel
Packaging Quantity	4000

Product Type Features

Insertion Force	Low
-----------------	-----

Usage Conditions

Insulation Option	Uninsulated
Operating Temperature Range	-40 – 110 °C [-40 – 230 °F]

Other

EU RoHS Compliance	Compliant
EU ELV Compliance	Compliant
Line	Budget

Configuration Features

Compatible With Wire & Cable Type	Discrete Wire
Connection Capacity	Single

Termination Features

Product Terminates To	Wire & Cable
-----------------------	--------------

Industry Standards

Compatible With Agency/Standards Products	UL, CSA
---	---------

Product Compliance

[For compliance documentation, visit the product page on TE.com>](#)

EU RoHS Directive 2011/65/EU	Compliant
EU ELV Directive 2000/53/EC	Compliant
China RoHS 2 Directive MIIT Order No 32, 2016	No Restricted Materials Above Threshold
EU REACH Regulation (EC) No. 1907/2006	Current ECHA Candidate List: JUNE 2024 (241) Candidate List Declared Against: JUNE 2024 (241) Does not contain REACH SVHC
Halogen Content	Low Halogen - Br, Cl, F, I < 900 ppm per

homogenous material. Also BFR/CFR/PVC Free

Solder Process Capability

Not applicable for solder process capability

Product Compliance Disclaimer

This information is provided based on reasonable inquiry of our suppliers and represents our current actual knowledge based on the information they provided. This information is subject to change. The part numbers that TE has identified as EU RoHS compliant have a maximum concentration of 0.1% by weight in homogenous materials for lead, hexavalent chromium, mercury, PBB, PBDE, DBP, BBP, DEHP, DIBP, and 0.01% for cadmium, or qualify for an exemption to these limits as defined in the Annexes of Directive 2011/65/EU (RoHS2). Finished electrical and electronic equipment products will be CE marked as required by Directive 2011/65/EU. Components may not be CE marked. Additionally, the part numbers that TE has identified as EU ELV compliant have a maximum concentration of 0.1% by weight in homogenous materials for lead, hexavalent chromium, and mercury, and 0.01% for cadmium, or qualify for an exemption to these limits as defined in the Annexes of Directive 2000/53/EC (ELV). Regarding the REACH Regulation, the information TE provides on SVHC in articles for this part number is based on the latest European Chemicals Agency (ECHA) 'Guidance on requirements for substances in articles' posted at this URL: <https://echa.europa.eu/guidance-documents/guidance-on-reach>

Compatible Parts




TE Part # 62418-1
250 FASTON FLAG REC 22-16 AWG BR




TE Part # 1852633-1
EAPOHB160TABLOCK1800 LM/G-HINGE BAR




TE Part # 1855041-1
HINDGE BAR F.A. EMPO160TAB1800 LM & G



TE Part # 7-1855041-7
KIT
SPARE PART KIT



TE Part # 1596696-2
HB APPL,AOL



TE Part # 1596697-5
HB APPL,AOM



TE Part # 2088156-2
MINI APPLICATOR, HINGE BAR END FEED



TE Part # 565504-1
STD HBEMPR160T1800K



TE Part # 565504-3
STD HBEMPR160T2200K

Also in the Series | **FASTON 250**



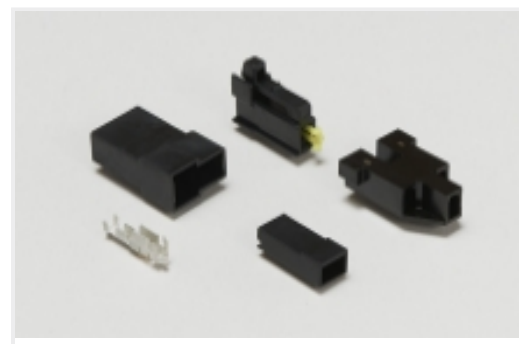
Compression Connectors(4)



Crimp Terminal Housings(132)



Insertion & Extraction Tools(6)



Magnet Wire Terminals(1)



PCB Terminals(134)



Quick Disconnects(425)

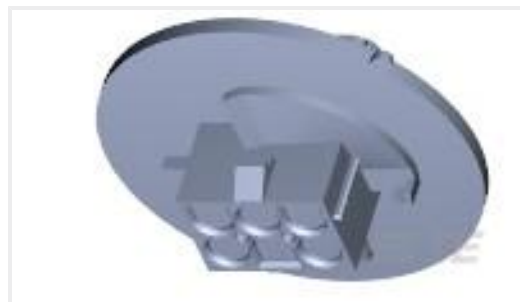


Splices(4)

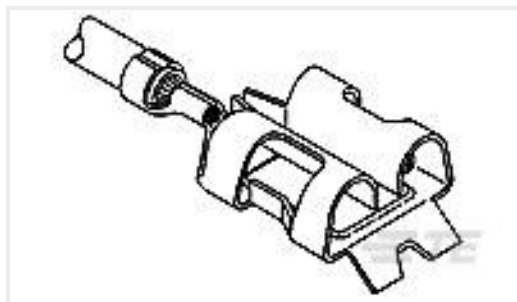
Customers Also Bought



TE Part #61944-2
250 FASTON REC 18-14 AWG TPBR



TE Part #794714-1
06P UMNL CAP HSG NATL,PAN MNT



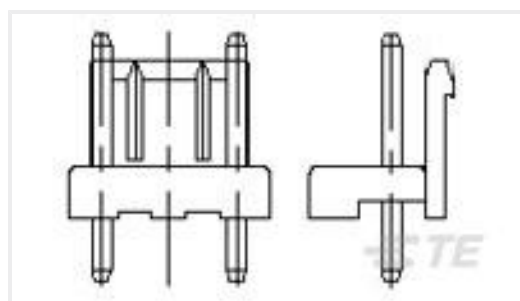
TE Part #640748-7
HEAVY DUTY BURNER REC 18-14 AWG PHBRZ



TE Part #62011-1
250 FASTON FLAG REC 12-10 AWG BR



TE Part #1-172520-1
LOW PRO AMPIN 11P



TE Part #1744103-1
3.96 EPHDR ASSY 3P OMIT #2 PIN



TE Part #2315752-3
3P, MICRO MNL RCPT HSG SINGLE ROW, V0 GW



TE Part #2358709-1
250 FASTON,TAB,TAPING AND REEL ASSY



TE Part #1599107-1
CLUSTER TERMINAL REC,.090 DIA

Documents



Product Drawings

250 FASTON FLAG REC 18-12 AWG BR

English

CAD Files

Customer View Model

[ENG_CVM_CVM_42511-1_CB.2d_dxf.zip](#)

English

3D PDF

3D

Customer View Model

[ENG_CVM_CVM_42511-1_CB.3d_igs.zip](#)

English

Customer View Model

[ENG_CVM_CVM_42511-1_CB.3d_stp.zip](#)

English

By downloading the CAD file I accept and agree to the [Terms and Conditions](#) of use.

Datasheets & Catalog Pages

82004 FASTON Terminals (Insulated and Uninsulated) Catalog - FASTON Receptacles Section

English

Product Specifications

Application Specification

English

Agency Approvals

UL Report

English