

184030-1 ✓ ACTIVE

AMP | Sealed Sensor Connector SSC System

TE Internal #: 184030-1

Receptacle, Mating Tab Width 1.8 mm [.071 in], 20 – 14 AWG Wire Size, .5 – 2 mm<sup>2</sup> Wire Size, Sealed Sensor Connector SSC System, Automotive Terminals

[View on TE.com >](#)



Terminals & Splices > Automotive Terminals



Terminal Type: **Receptacle**

Mating Tab Width: **1.8 mm [.071 in]**

Terminal Transmits: **0 – 24 A (Low Power)**

Wire Size: **.5 – 2 mm<sup>2</sup>**

### Features

#### Industry Standards

Compatible With Agency/Standards Products	SAE/USCAR-2
---	-------------

#### Operation/Application

Compatible With Wire Base Material	Copper
------------------------------------	--------

#### Packaging Features

Packaging Method	Package
Packaging Quantity	6000

#### Usage Conditions

Insulation Option	Uninsulated
Operating Temperature (Max)	130 °C, 125 °C, 80 °C, 105 °C, 90 °C, 100 °C, 85 °C, 150 °C, 145 °C, 140 °C, 110 °C, 120 °C[293 °F][248 °F][221 °F][230 °F][176 °F][194 °F][302 °F][284 °F][185 °F][266 °F][212 °F][257 °F]

#### Termination Features

Termination Method to Wire & Cable	Crimp
Product Terminates To	Wire

#### Product Type Features

Receptacle Style	180°
Sealable	Yes

#### Dimensions



Compatible Insulation Diameter Range	1.2 – 2.7 mm [.047 – .106 in]
Wire Size	.5 – 2 mm <sup>2</sup>
Wire Size Search	1.25 mm <sup>2</sup> , 1 mm <sup>2</sup> , 2 mm <sup>2</sup> , .5 mm <sup>2</sup> , 1.5 mm <sup>2</sup> , .6 mm <sup>2</sup> , .8 mm <sup>2</sup>

### Contact Features

Typical Current Rating	17 A
Crimp Type	F-Crimp
Contact Size	1.8mm
Contact Fabrication	Stamped & Formed
Wire Contact Termination Area Plating Material	Gold
Terminal Type	Receptacle
Mating Tab Width	1.8 mm [.071 in]
Interface Plating	Gold (Au)

### Body Features

Terminal Seal Type	Single Wire Seal (SWS)
--------------------	------------------------

### Other

Terminal Transmits	0 – 24 A (Low Power)
EU RoHS Compliance	Compliant
EU ELV Compliance	Compliant

### Product Compliance

[For compliance documentation, visit the product page on TE.com>](#)

EU RoHS Directive 2011/65/EU	Compliant
EU ELV Directive 2000/53/EC	Compliant
China RoHS 2 Directive MIIT Order No 32, 2016	No Restricted Materials Above Threshold
EU REACH Regulation (EC) No. 1907/2006	Current ECHA Candidate List: JUNE 2024 (241) Candidate List Declared Against: JUNE 2024 (241) Does not contain REACH SVHC
Halogen Content	Low Halogen - Br, Cl, F, I < 900 ppm per homogenous material. Also BFR/CFR/PVC Free
Solder Process Capability	Not reviewed for solder process capability

Product Compliance Disclaimer

This information is provided based on reasonable inquiry of our suppliers and represents our current actual knowledge based on the information they provided. This information is subject to change. The part numbers that TE has identified as EU RoHS compliant have a maximum concentration of 0.1% by weight in homogenous materials for lead, hexavalent chromium, mercury, PBB, PBDE, DBP, BBP, DEHP, DIBP, and 0.01% for cadmium, or qualify for an exemption to these limits as defined in the Annexes of Directive 2011/65/EU (RoHS2). Finished electrical and electronic equipment products will be CE marked as required by Directive 2011/65/EU. Components may not be CE marked. Additionally, the part numbers that TE has identified as EU ELV compliant have a maximum concentration of 0.1% by weight in homogenous materials for lead, hexavalent chromium, and mercury, and 0.01% for cadmium, or qualify for an exemption to these limits as defined in the Annexes of Directive 2000/53/EC (ELV). Regarding the REACH Regulation, the information TE provides on SVHC in articles for this part number is based on the latest European Chemicals Agency (ECHA) 'Guidance on requirements for substances in articles' posted at this URL: <https://echa.europa.eu/guidance-documents/guidance-on-reach>

## Compatible Parts



TE Part # 184046-1  
4 POS. PLUG ASSY, KEY A



TE Part # 184000-1  
2 POS. PLUG ASSY, KEY A, BLACK



TE Part # 184032-1  
3 POS. PLUG ASSY, KEY A



TE Part # 91583-1  
CCII 070 TYP 20-16 ASSY



TE Part # 937313-1  
EXT-TOOL



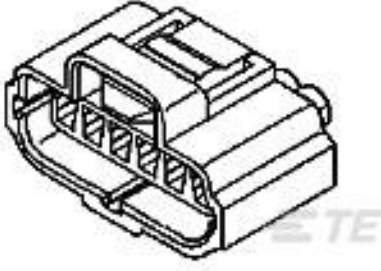
TE Part # 184344-1  
2X2 PLG ASY KEY A C3



TE Part # 184248-1  
2X2 PLG ASY KEY A C4



TE Part # 184340-1  
PLUG ASSY, 2X2, CPA, W/O SLOT, CKT4 BLKD



TE Part # 184060-1  
6 POS./6 CIRC PLUG ASSY, KEY A



TE Part # 184004-1  
2 POS. PLUG ASSY, KEY C, BLACK



TE Part # 184022-1  
2 POS. PLUG ASSY, KEY M, BLACK



TE Part # 184042-1  
1 POS. PLUG ASSY, KEY A



TE Part # 184002-1  
2 POS. PLUG ASSY, KEY B, GRAY



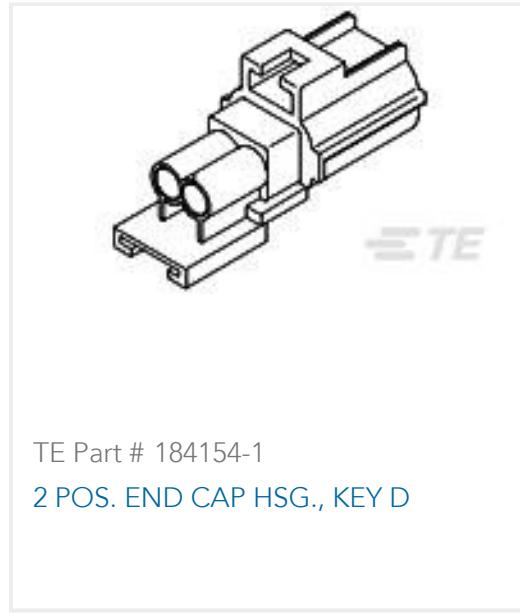
TE Part # 184452-1  
6 POS SSC PLUG ASSY, BLKD CKTS



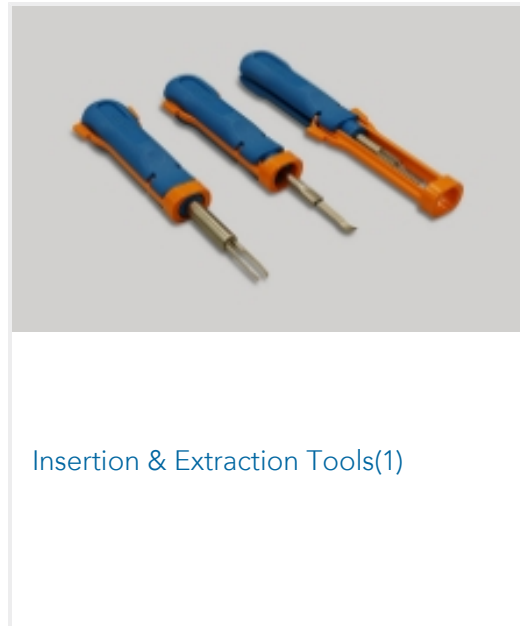
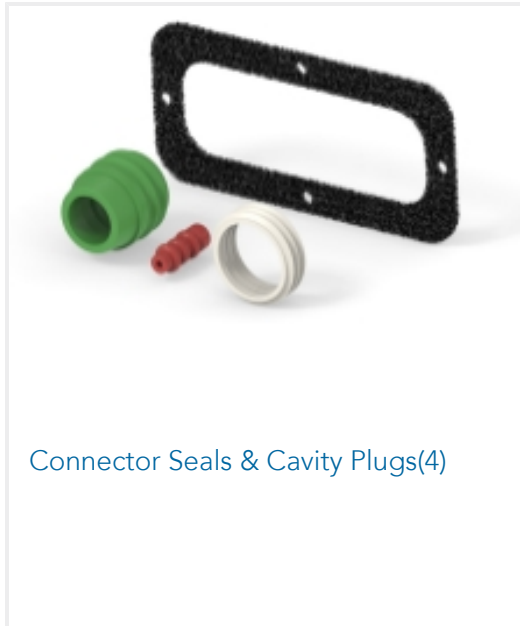
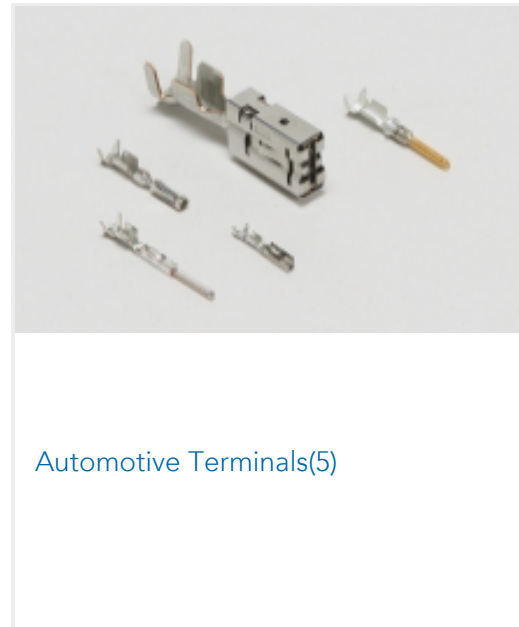
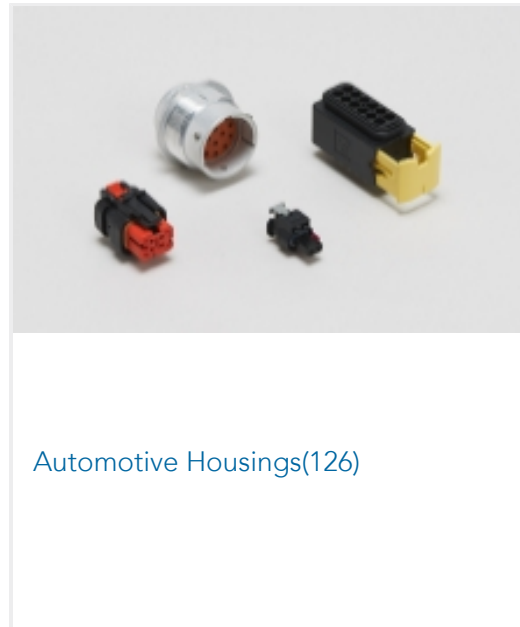
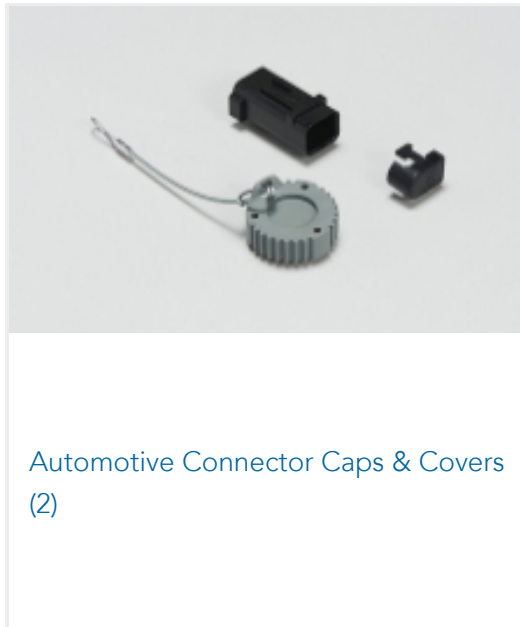
TE Part # 184392-1  
2X2 PLG ASY, KEY A, W/O CPA C3



TE Part # 184346-1  
2X2 CAP ASY KEY A C3

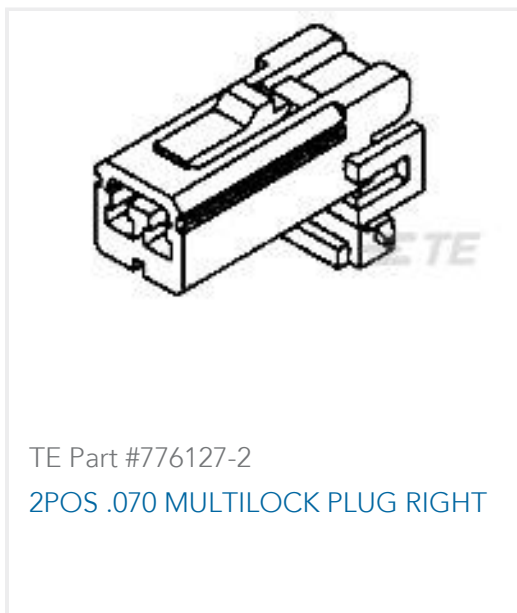


Also in the Series | Sealed Sensor Connector SSC System



Customers Also Bought





## Documents

### CAD Files

#### 3D PDF

English

#### Customer View Model

[ENG\\_CVM\\_184030-1\\_G.2d\\_dxf.zip](#)

English

#### Customer View Model

[ENG\\_CVM\\_184030-1\\_G.3d\\_igs.zip](#)

English

#### Customer View Model

[ENG\\_CVM\\_184030-1\\_G.3d\\_stp.zip](#)

English

By downloading the CAD file I accept and agree to the [Terms and Conditions](#) of use.

### Product Specifications

#### Application Specification

English