

1674335-4 ✓ ACTIVE



Dynamic Series

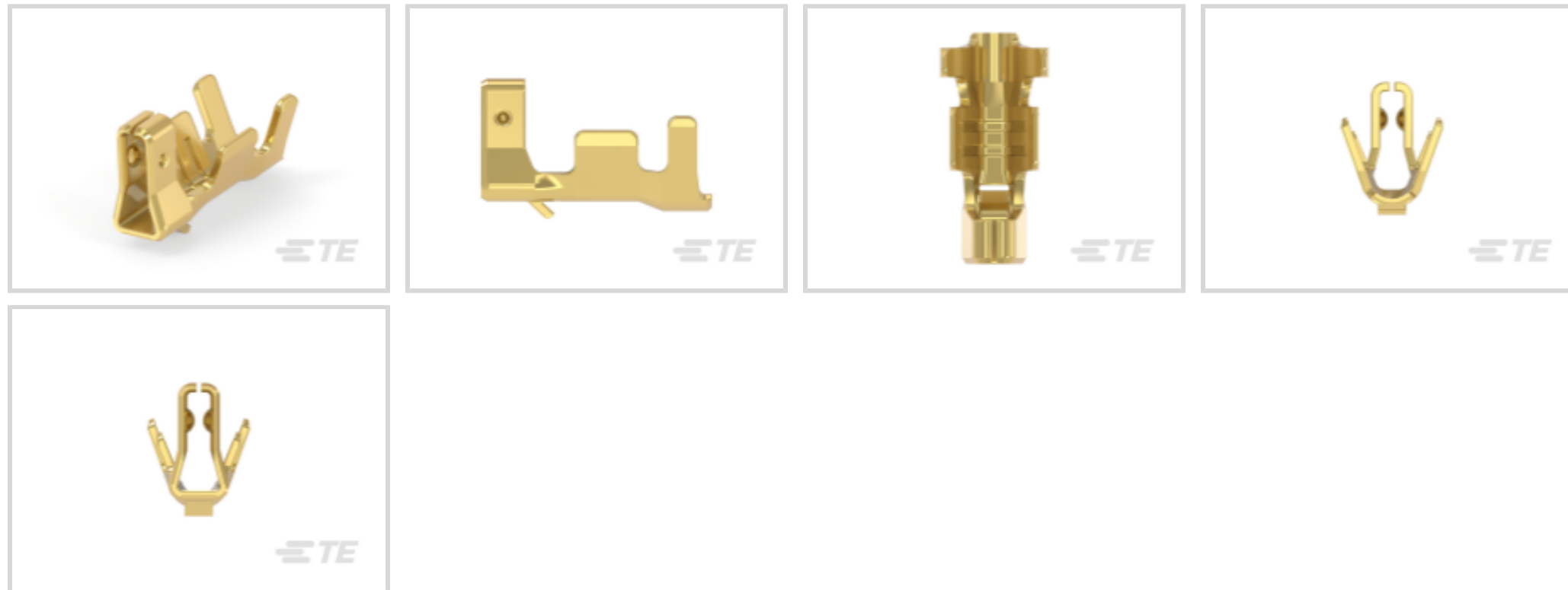
TE Internal #: 1674335-4

Receptacle Contact, Gold, 26 – 22 AWG Wire Size, .4 – .34 mm²

Wire Size, Signal, -30 – 105 °C [-22 – 221 °F]

[View on TE.com >](#)

Connectors > Contacts > Connector Contacts



Contact Type: **Receptacle**

Contact Mating Area Plating Material: **Gold**

Wire Size: **.4 – .34 mm²**

Product Terminates To: **Wire & Cable**

Features

Packaging Features

Packaging Method	Reel & Box
------------------	------------

Contact Features

Mating Tab Thickness	.33 mm[.013 in]
Mating Tab Width	.8 mm[.031 in]
Contact Type	Receptacle
Contact Mating Area Plating Material	Gold
Contact Current Rating (Max)	1 A

Termination Features

Product Terminates To	Wire & Cable
-----------------------	--------------

Dimensions

Wire Size	.4 – .34 mm ²
-----------	--------------------------

Usage Conditions

Operating Temperature Range	-30 – 105 °C[-22 – 221 °F]
-----------------------------	----------------------------

Operation/Application

Circuit Application	Signal
---------------------	--------



Other

EU RoHS Compliance	Compliant
EU ELV Compliance	Compliant

Product Compliance

[For compliance documentation, visit the product page on TE.com>](#)

EU RoHS Directive 2011/65/EU	Compliant
EU ELV Directive 2000/53/EC	Compliant
China RoHS 2 Directive MIIT Order No 32, 2016	No Restricted Materials Above Threshold
EU REACH Regulation (EC) No. 1907/2006	Current ECHA Candidate List: JUNE 2024 (241) Candidate List Declared Against: JUNE 2024 (241) Does not contain REACH SVHC
Halogen Content	Low Halogen - Br, Cl, F, I < 900 ppm per homogenous material. Also BFR/CFR/PVC Free
Solder Process Capability	Not applicable for solder process capability

Product Compliance Disclaimer

This information is provided based on reasonable inquiry of our suppliers and represents our current actual knowledge based on the information they provided. This information is subject to change. The part numbers that TE has identified as EU RoHS compliant have a maximum concentration of 0.1% by weight in homogenous materials for lead, hexavalent chromium, mercury, PBB, PBDE, DBP, BBP, DEHP, DIBP, and 0.01% for cadmium, or qualify for an exemption to these limits as defined in the Annexes of Directive 2011/65/EU (RoHS2). Finished electrical and electronic equipment products will be CE marked as required by Directive 2011/65/EU. Components may not be CE marked. Additionally, the part numbers that TE has identified as EU ELV compliant have a maximum concentration of 0.1% by weight in homogenous materials for lead, hexavalent chromium, and mercury, and 0.01% for cadmium, or qualify for an exemption to these limits as defined in the Annexes of Directive 2000/53/EC (ELV). Regarding the REACH Regulation, the information TE provides on SVHC in articles for this part number is based on the latest European Chemicals Agency (ECHA) 'Guidance on requirements for substances in articles' posted at this URL: <https://echa.europa.eu/guidance-documents/guidance-on-reach>

Compatible Parts



TE Part # 1747464-1
MICRO MOTER ENCODER IO KIT W /O



TE Part # 2266240-1
OCEAN_2.0_APPLICATOR-S-046F044F-RSM



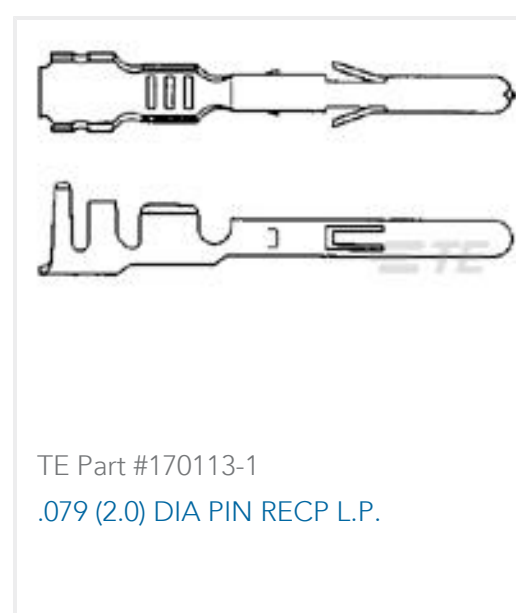
TE Part # 2266240-2
OCEAN_2.0_APPLICATOR-S-046F044F-RSA



TE Part # 2305570-1
Strip Terminal Cutter-Side Feed-No Crimp



Customers Also Bought



Documents

Product Drawings

REC. CONT. REEL,MICRO MOTOR CO

Japanese

CAD Files

3D PDF

3D

Customer View Model

[ENG_CVM_CVM_1674335-4_B.2d_dxf.zip](#)

English

Customer View Model

[ENG_CVM_CVM_1674335-4_B.3d_igs.zip](#)

English

Customer View Model

[ENG_CVM_CVM_1674335-4_B.3d_stp.zip](#)

English

By downloading the CAD file I accept and agree to the [Terms and Conditions](#) of use.

1674335-4

Receptacle Contact, Gold, 26 – 22 AWG Wire Size, .4 – .34 mm² Wire Size, Signal, -30
– 105 °C [-22 – 221 °F]



Product Specifications

[Application Specification](#)

English

Instruction Sheets

[Instruction Sheet \(non U.S.\)](#)

English