



AMP-LATCH

TE Internal #: 1-1658526-3

Wire-to-Board, 20 Position, 2.54 mm [.1 in] Centerline, 2 Row, Receptacle, Polarization Mating Alignment Type, Wire & Cable, Ribbon Cable Connectors

[View on TE.com >](#)

Connectors > PCB Connectors > Wire-to-Board Connectors > FFC, FPC & Ribbon Connectors > Ribbon Cable Connectors



Connector System: **Wire-to-Board**

Number of Positions: **20**

Centerline (Pitch): **2.54 mm [.1 in]**

Row-to-Row Spacing: **2.54 mm [.1 in]**

Number of Rows: **2**

Features

Contact Features

	30 μin
Contact Current Rating (Max)	1 A
Contact Mating Area Plating Material	Gold
Wire Contact Termination Area Plating Thickness	2.54 – 5.08 μm[100 – 200 μin]
Wire Contact Termination Area Plating Material	Tin

Product Type Features

Connector System	Wire-to-Board
Connector & Housing Type	Receptacle
Connector & Contact Terminates To	Wire & Cable
Connector Product Type	Connector Assembly

Configuration Features

Number of Positions	20
Number of Rows	2

Housing Features



Centerline (Pitch)	2.54 mm[.1 in]
--------------------	----------------

Dimensions

Row-to-Row Spacing	2.54 mm[.1 in]
--------------------	----------------

Mechanical Attachment

Mating Alignment Type	Polarization
-----------------------	--------------

Mating Retention	Without
------------------	---------

Connector Mounting Type	Cable Mount (Free-Hanging)
-------------------------	----------------------------

Operation/Application

Circuit Application	Signal
---------------------	--------

Usage Conditions

Operating Temperature Range	-55 – 125 °C[-67 – 257 °F]
-----------------------------	----------------------------

Other

EU RoHS Compliance	Compliant
--------------------	-----------

EU ELV Compliance	Compliant
-------------------	-----------

Body Features

Primary Product Color	Blue
-----------------------	------

Termination Features

Rectangular Termination Post & Tail Width	.46 mm[.018 in]
---	-----------------

Rectangular Termination Post & Tail Thickness	.36 mm[.014 in]
---	-----------------

Termination Method to Wire & Cable	Insulation Displacement (IDC)
------------------------------------	-------------------------------

Product Compliance

For compliance documentation, visit the product page on [TE.com](https://www.te.com)>

EU RoHS Directive 2011/65/EU	Compliant
------------------------------	-----------

EU ELV Directive 2000/53/EC	Compliant
-----------------------------	-----------

China RoHS 2 Directive MIIT Order No 32, 2016	No Restricted Materials Above Threshold
---	---

EU REACH Regulation (EC) No. 1907/2006	Current ECHA Candidate List: JUNE 2024 (241) Candidate List Declared Against: JUNE 2024 (241) Does not contain REACH SVHC
--	---

Halogen Content	Not Low Halogen - contains Br or Cl > 900 ppm.
-----------------	--



Solder Process Capability

Not applicable for solder process capability

Product Compliance Disclaimer

This information is provided based on reasonable inquiry of our suppliers and represents our current actual knowledge based on the information they provided. This information is subject to change. The part numbers that TE has identified as EU RoHS compliant have a maximum concentration of 0.1% by weight in homogenous materials for lead, hexavalent chromium, mercury, PBB, PBDE, DBP, BBP, DEHP, DIBP, and 0.01% for cadmium, or qualify for an exemption to these limits as defined in the Annexes of Directive 2011/65/EU (RoHS2). Finished electrical and electronic equipment products will be CE marked as required by Directive 2011/65/EU. Components may not be CE marked. Additionally, the part numbers that TE has identified as EU ELV compliant have a maximum concentration of 0.1% by weight in homogenous materials for lead, hexavalent chromium, and mercury, and 0.01% for cadmium, or qualify for an exemption to these limits as defined in the Annexes of Directive 2000/53/EC (ELV). Regarding the REACH Regulation, the information TE provides on SVHC in articles for this part number is based on the latest European Chemicals Agency (ECHA) 'Guidance on requirements for substances in articles' posted at this URL: <https://echa.europa.eu/guidance-documents/guidance-on-reach>

Compatible Parts



TE Part # CAT-AM74-UN384H
AMP-LATCH UNIVERSAL HEADERS



TE Part # 102312-2
UNIVERSAL HEADER LATCH



TE Part # 2-1761605-7
IDC LOW PRO HDR 20P RA BLUE



TE Part # 1761607-7
IDC LOW PRO HDR 20P RA LG LAT



TE Part # 1761681-7
IDC LOW PRO HDR 20P VERT HT BLACK



TE Part # 2-1761606-7
IDC LOW PRO HDR 20P VERT LG LA



TE Part # 2-1761603-7
IDC LOW PRO HDR 20P VERT BLUE



TE Part # 5103310-5
A/L LOW PRO HDR 20P RA BLACK



TE Part # 5103311-5
A/L LOW PRO HDR 20P RA BLACK



TE Part # 1761606-7
IDC LOW PRO HDR 20P VERT LG LAT BLK



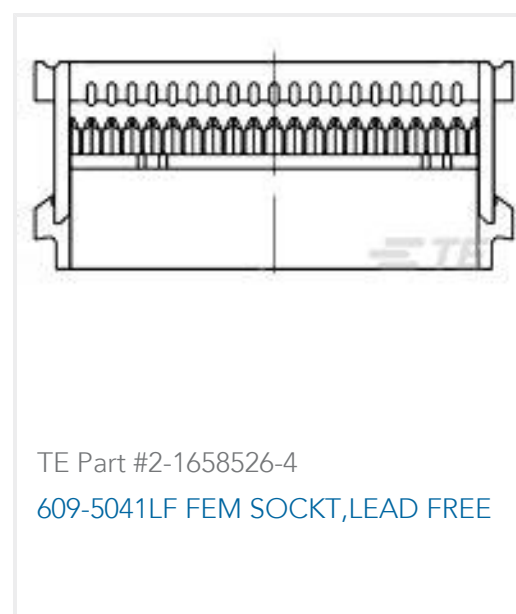
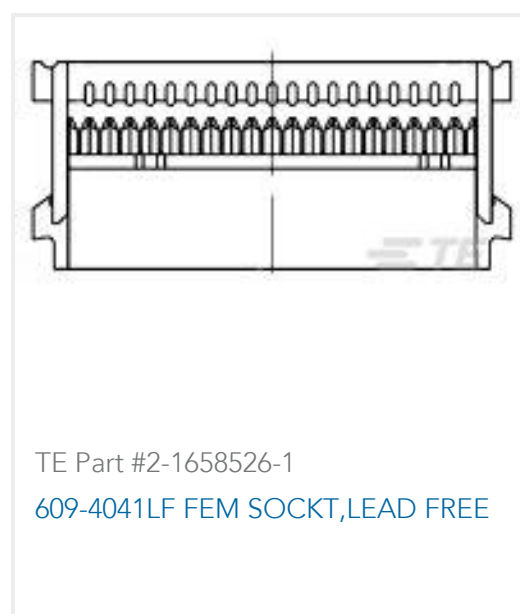
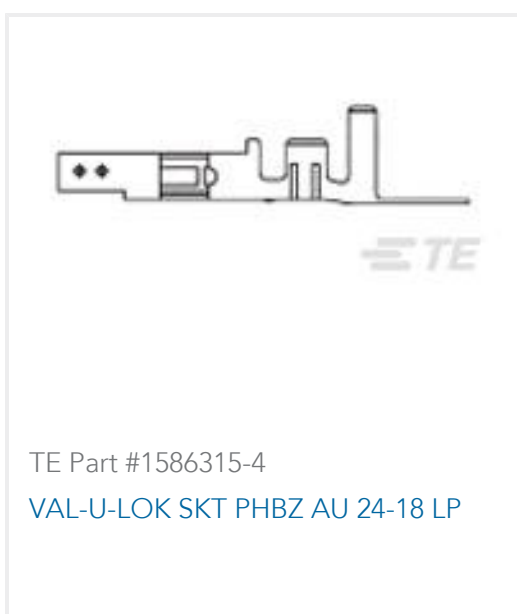
TE Part # 2-1761607-7
IDC LOW PRO HDR 20P RA LG LAT



TE Part # 5103309-5
A/L LOW PRO HDR 20P VERT BLACK



Customers Also Bought



Documents



Product Drawings

[609-2041LF FEM SOCKET, LEAD FREE](#)

English

CAD Files

[3D PDF](#)

3D

Customer View Model

[ENG_CVM_CVM_1-1658526-3_C.2d_dxf.zip](#)

English

Customer View Model

[ENG_CVM_CVM_1-1658526-3_C.3d_igs.zip](#)

English

Customer View Model

[ENG_CVM_CVM_1-1658526-3_C.3d_stp.zip](#)

English

By downloading the CAD file I accept and agree to the [Terms and Conditions](#) of use.

Datasheets & Catalog Pages

[Ribbon Cable Interconnect Solutions](#)

English

Instruction Sheets

[Instruction Sheet \(U.S.\)](#)

English