



TE Internal #: 1-1470108-2  
 PCB Mount Header, Right Angle, Wire-to-Board, 12 Position, 2 mm  
 [.079 in] Centerline, Fully Shrouded, Tin, Through Hole - Solder,  
 Signal, Natural

[View on TE.com >](#)

Connectors > PCB Connectors > PCB Headers & Receptacles > AMP HPI 2.0 mm Headers



EU RoHS Compliance: **Compliant with Exemptions**

EU ELV Compliance: **Compliant**

PCB Connector Assembly Type: **PCB Mount Header**

PCB Mount Orientation: **Right Angle**

Connector System: **Wire-to-Board**

[All AMP HPI 2.0 mm Headers \(206\)](#)

## Features

### Contact Features

	100 µin
Mating Square Post Dimension	.5 mm[.02 in]
Contact Shape & Form	Square
Contact Mating Area Length	3.5 mm[.138 in]
Contact Base Material	Copper Alloy
PCB Contact Termination Area Plating Material	Tin
Contact Mating Area Plating Material	Tin
Contact Type	Pin
Contact Current Rating (Max)	3 A

### Other

EU RoHS Compliance	Compliant with Exemptions
EU ELV Compliance	Compliant
Position Locations Omitted	0



### Product Type Features

PCB Connector Assembly Type	PCB Mount Header
Connector System	Wire-to-Board
Header Type	Fully Shrouded
Sealable	No
Connector & Contact Terminates To	Printed Circuit Board

### Configuration Features

Connector Contact Load Condition	Fully Loaded
PCB Mount Orientation	Right Angle
Number of Positions	12
Number of Rows	2

### Electrical Characteristics

Operating Voltage	100 VDC
Insulation Resistance	5000 MΩ

### Body Features

Primary Product Color	Natural
-----------------------	---------

### Termination Features

Termination Post & Tail Length	3 mm[.118 in]
Square Termination Post & Tail Dimension	.5 mm[.02 in]
Termination Method to PCB	Through Hole - Solder

### Mechanical Attachment

Mating Retention	Without
Mating Alignment Type	Keyed
PCB Mount Retention	Without
PCB Mount Alignment	Without
Connector Mounting Type	Board Mount
Mating Alignment	With

### Housing Features

Housing Material	Nylon 66
Centerline (Pitch)	2 mm[.079 in]

### Dimensions

Row-to-Row Spacing	2 mm[.079 in]
--------------------	---------------



PCB Thickness (Recommended) 1.57 mm[.062 in]

**Usage Conditions**

Operating Temperature Range -25 – 85 °C[-13 – 185 °F]

**Operation/Application**

Circuit Application Signal

**Industry Standards**

Compatible With Approved Standards Products UL E28476, CSA LR7189

UL Flammability Rating UL 94V-0

**Packaging Features**

Packaging Method Loose Piece

**Product Compliance**

[For compliance documentation, visit the product page on TE.com>](#)

EU RoHS Directive 2011/65/EU Compliant with Exemptions

EU ELV Directive 2000/53/EC Compliant

China RoHS 2 Directive MIIT Order No 32, 2016 Restricted Materials Above Threshold

EU REACH Regulation (EC) No. 1907/2006  
 Current ECHA Candidate List: JUNE 2024 (241)  
 Candidate List Declared Against: JUNE 2024 (241)  
 SVHC > Threshold:  
 Pb (.5% in Component Part)

**Article Safe Usage Statements:**  
 Do not eat, drink or smoke when using this product. Wash thoroughly after handling. Recycle if possible and dispose of the article by following all applicable governmental regulations relevant to your geographic location.

Halogen Content Low Halogen - Br, Cl, F, I < 900 ppm per homogenous material. Also BFR/CFR/PVC Free

Solder Process Capability Wave solder capable to 240°C

**Product Compliance Disclaimer**

This information is provided based on reasonable inquiry of our suppliers and represents our current actual knowledge based on the information they provided. This information is subject to change. The part numbers that TE has identified as EU RoHS compliant have a maximum concentration of 0.1% by weight in homogenous materials for lead, hexavalent chromium, mercury, PBB, PBDE, DBP, BBP, DEHP, DIBP, and 0.01% for cadmium, or qualify for an exemption to these limits as defined in the Annexes of Directive 2011/65/EU (RoHS2). Finished electrical and electronic equipment products will be CE marked as required by Directive 2011/65/EU. Components may not be CE marked. Additionally, the part numbers that TE has identified as EU ELV compliant have a maximum concentration of 0.1% by weight in homogenous materials for lead, hexavalent chromium, and mercury, and 0.01% for cadmium, or qualify for an exemption to these limits as defined in the Annexes of Directive 2000/53/EC (ELV). Regarding the REACH Regulation, the information TE provides on SVHC in articles for this part number is based on the latest European Chemicals Agency (ECHA) 'Guidance on requirements for substances in articles' posted at this URL: <https://echa.europa.eu/guidance-documents/guidance-on-reach>



### Compatible Parts



TE Part # 1-1470107-2  
2.0MM PITCH CRIMP HOUSING 12P



TE Part # 1470106-1  
2.0mm Pitch Crimp Contact

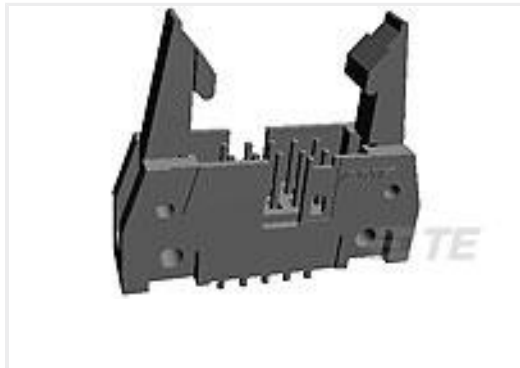


TE Part # 2-1470209-9  
RCPT,2MM,12P,VRT MT,8AU,2.6ST

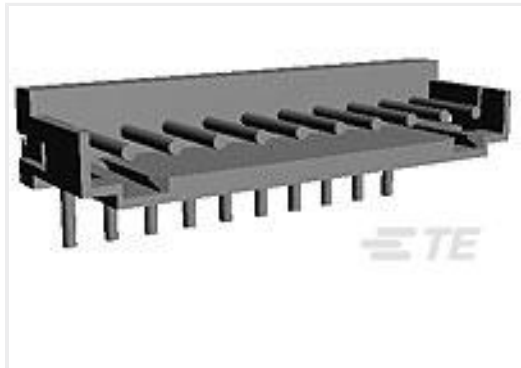


TE Part # 7-1470209-9  
RCPT,2MM,12P,VRT MT,30AU,2.6ST

### Customers Also Bought



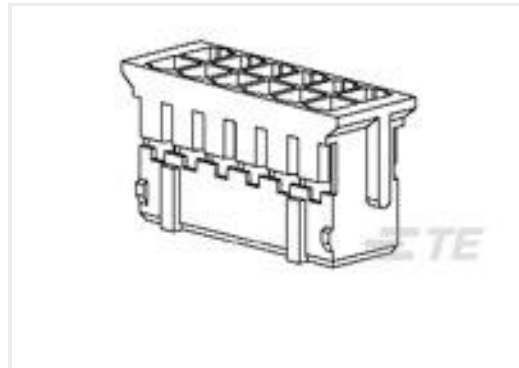
TE Part #5499206-6  
A/L UNIV HDR 26P VERT LG LAT



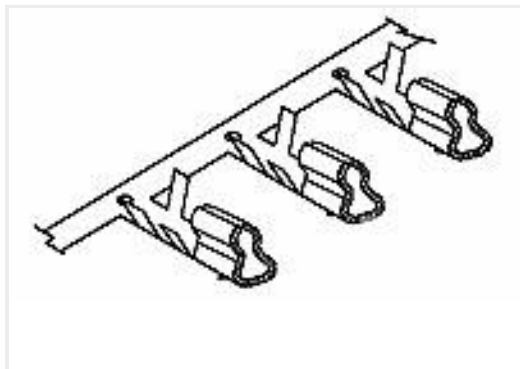
TE Part #292253-6  
CT CONN MT HDR ASSY H 6P NAT



TE Part #292250-6  
CT P/HDR BOX H ASSY 6P W/KINK



TE Part #1-1470107-2  
2.0MM PITCH CRIMP HOUSING 12P



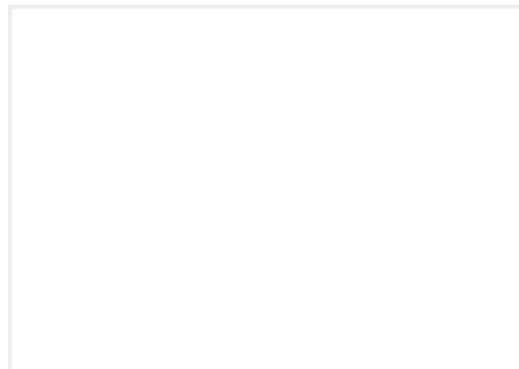
TE Part #1470106-1  
2.0mm Pitch Crimp Contact



TE Part #292250-3  
CT P/HDR BOX H ASSY 3P W/KINK



TE Part #1-1735251-3  
SKT,SODIMM,144P,1.5/1.35V (DDR3),  
STD,T&R



TE Part #1521003-2  
CAT 5E CABLE ASSY, 8 POS RJ45



TE Part #2143309-3  
IMP100S,H,RA2P16C,UG,OEWS39,5.5

### Documents

#### Product Drawings

2.0MM PITCH HEADER,DIP 12P

English

#### CAD Files

Customer View Model



[ENG\\_CVM\\_CVM\\_1-1470108-2\\_F.2d\\_dxf.zip](#)

English

[3D PDF](#)

3D

Customer View Model

[ENG\\_CVM\\_CVM\\_1-1470108-2\\_F.3d\\_igs.zip](#)

English

Customer View Model

[ENG\\_CVM\\_CVM\\_1-1470108-2\\_F.3d\\_stp.zip](#)

English

By downloading the CAD file I accept and agree to the [Terms and Conditions](#) of use.

---

### Datasheets & Catalog Pages

[AMPMODU\\_INTERCONNECTION\\_SYSTEM\\_SECTION3AND4](#)

English

[HPI Connectors QRG](#)

English

---

### Product Specifications

[AMP 2.0mm PITCH EMIX Economic Metric Interconnect Series, Wire-To-Board System.](#)

English

[Application Specification](#)

English