

6-177904-1 ✓ ACTIVE



Power Double Lock

TE Internal #: 6-177904-1

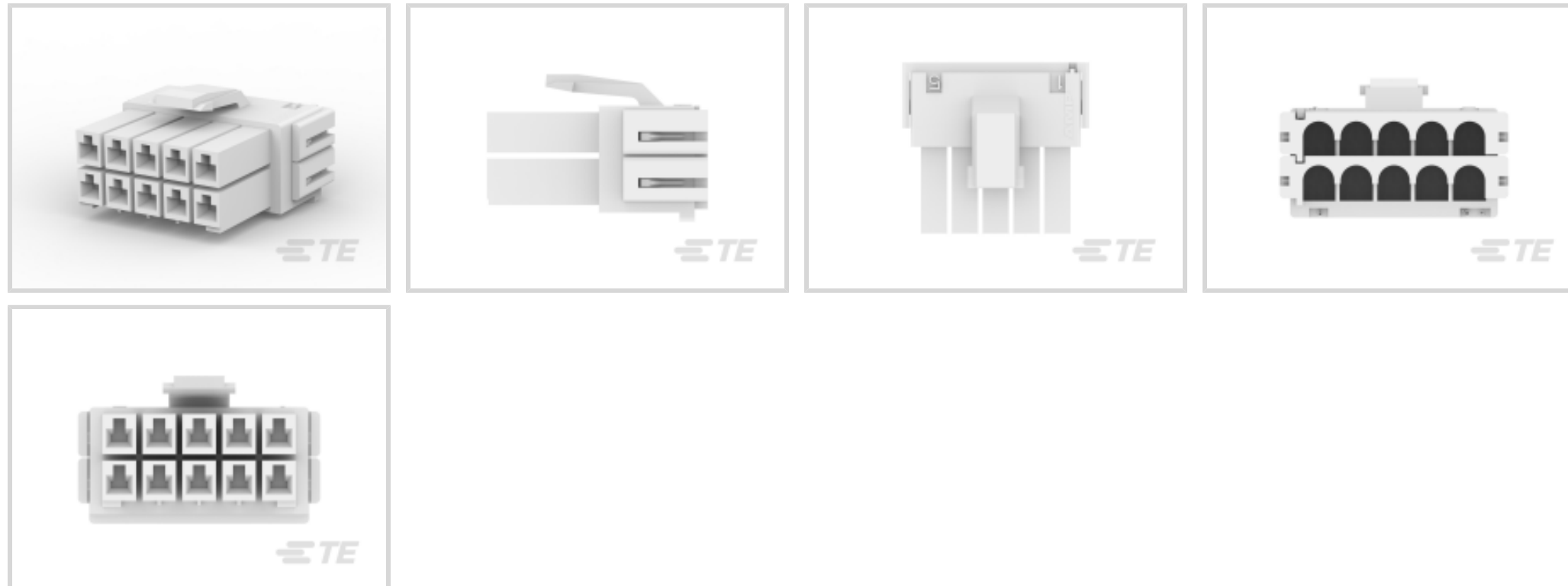
Housing, Plug, Wire-to-Wire, 10 Position, 3.96 mm [.156 in]

Centerline, Wire & Cable, UL 94V-0, Power Double Lock,

Rectangular Power Connectors

[View on TE.com >](#)

Connectors > Power Connectors > Rectangular Power > Rectangular Power Connectors > Glow Wire Power Double Lock Plug



EU RoHS Compliance: **Compliant**

EU ELV Compliance: **Compliant**

Rectangular Power Connector Type: **Housing**

Connector & Housing Type: **Plug**

Connector System: **Wire-to-Wire**

[All Glow Wire Power Double Lock Plug \(55\)](#)

Features

Other

EU RoHS Compliance **Compliant**

EU ELV Compliance **Compliant**

Product Type Features

Rectangular Power Connector Type **Housing**

Connector & Housing Type **Plug**

Connector System **Wire-to-Wire**

Sealable **No**

Connector & Contact Terminates To **Wire & Cable**

Configuration Features

Number of Positions **10**

Number of Power Positions **10**

Number of Signal Positions **0**



Number of Rows	2
----------------	---

Electrical Characteristics

Operating Voltage	300 VAC
-------------------	---------

Contact Features

Contact Retention Within Housing	Without
----------------------------------	---------

Contact Type	Receptacle
--------------	------------

Termination Features

Termination Method to Wire & Cable	Crimp
------------------------------------	-------

Mechanical Attachment

Connector Mounting Type	Cable Mount (Free-Hanging)
-------------------------	----------------------------

Housing Features

Centerline (Pitch)	3.96 mm [.156 in]
--------------------	-------------------

Housing Color	Natural
---------------	---------

Housing Material	Nylon 6/6
------------------	-----------

Dimensions

Row-to-Row Spacing	4.6 mm [.181 in]
--------------------	------------------

Usage Conditions

Operating Temperature Range	-30 – 105 °C [-22 – 221 °F]
-----------------------------	-----------------------------

Operation/Application

Circuit Application	Power
---------------------	-------

Industry Standards

UL Flammability Rating	UL 94V-0
------------------------	----------

Glow Wire Rating	GWT 750°C (Without Flame)
------------------	---------------------------

Packaging Features

Packaging Quantity	150
--------------------	-----

Packaging Method	Bag
------------------	-----

Product Compliance

For compliance documentation, visit the product page on [TE.com](https://www.te.com)>

EU RoHS Directive 2011/65/EU	Compliant
------------------------------	-----------

EU ELV Directive 2000/53/EC	Compliant
-----------------------------	-----------



China RoHS 2 Directive MIIT Order No 32, 2016	No Restricted Materials Above Threshold
EU REACH Regulation (EC) No. 1907/2006	Current ECHA Candidate List: JUNE 2024 (241) Candidate List Declared Against: JUNE 2024 (241) Does not contain REACH SVHC
Halogen Content	Not Low Halogen - contains Br or Cl > 900 ppm.
Solder Process Capability	Not reviewed for solder process capability

Product Compliance Disclaimer

This information is provided based on reasonable inquiry of our suppliers and represents our current actual knowledge based on the information they provided. This information is subject to change. The part numbers that TE has identified as EU RoHS compliant have a maximum concentration of 0.1% by weight in homogenous materials for lead, hexavalent chromium, mercury, PBB, PBDE, DBP, BBP, DEHP, DIBP, and 0.01% for cadmium, or qualify for an exemption to these limits as defined in the Annexes of Directive 2011/65/EU (RoHS2). Finished electrical and electronic equipment products will be CE marked as required by Directive 2011/65/EU. Components may not be CE marked. Additionally, the part numbers that TE has identified as EU ELV compliant have a maximum concentration of 0.1% by weight in homogenous materials for lead, hexavalent chromium, and mercury, and 0.01% for cadmium, or qualify for an exemption to these limits as defined in the Annexes of Directive 2000/53/EC (ELV). Regarding the REACH Regulation, the information TE provides on SVHC in articles for this part number is based on the latest European Chemicals Agency (ECHA) 'Guidance on requirements for substances in articles' posted at this URL: <https://echa.europa.eu/guidance-documents/guidance-on-reach>

Compatible Parts

TE Part # 177912-1
POWER D/LOCK CAP HSG 10P NATU.

TE Part # CAT-P87024-R2435
Power Double Lock Receptacle

TE Part # CAT-P87024-T111
Power Double Lock Tab

TE Part # 177921-1
POWER D/LOCK PLATE 5P NATURAL

Also in the Series | Power Double Lock

Connector Contacts(24)

Connector Hardware(14)

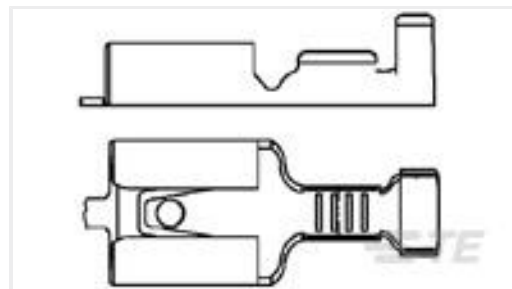
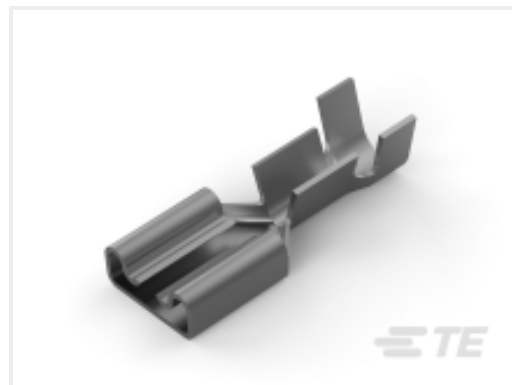
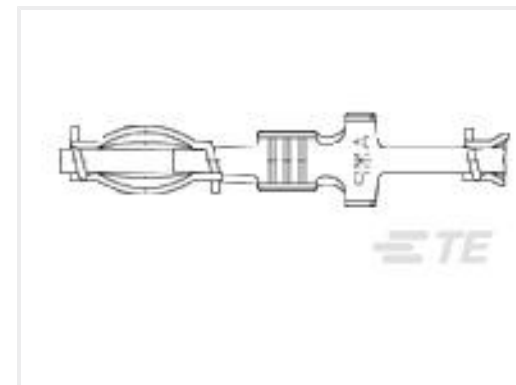
Insertion & Extraction Tools(2)

PCB Headers & Receptacles(43)



Rectangular Power Connectors(240)

Customers Also Bought

TE Part #177921-1
POWER D/LOCK PLATE 5P NATURALTE Part #3-1534798-3
AMP DUOPLUG MK2 CONNECTOR
3P SELECTIVETE Part #336235-1
250 FASTON,REC.,24-17 AWG,BRTE Part #8-1241961-2
STD TIM HOUSING MKII 2POSTE Part #926965-1
TIMER, RECEPTACLE AND TABTE Part #1-282002-2
AMP MONO-SHAPE TAB CONN 2P. GTE Part #1-100605-2
250 FASTON,REC.,14-17AWG,PTPBTE Part #170063-2
CLUSTER PIN RECTE Part #4-1534798-3
DUOPLUG MK II SELECTIVE LOADED

Documents

Product Drawings

[POWER D/LOCK PLUG HSG 10P\(GWT\)](#)

English

CAD Files

[3D PDF](#)

3D

Customer View Model

[ENG_CVM_CVM_6-177904-1_H.2d_dxf.zip](#)



English

Customer View Model

[ENG_CVM_CVM_6-177904-1_H.3d_igs.zip](#)

English

Customer View Model

[ENG_CVM_CVM_6-177904-1_H.3d_stp.zip](#)

English

By downloading the CAD file I accept and agree to the [Terms and Conditions](#) of use.

Product Specifications

[Application Specification](#)

English

Instruction Sheets

[Instruction Sheet \(non U.S.\)](#)

English

[AMP POWER DOUBLELOCK CONNECTOR SERIES](#)

English