

776286-2 ✓ ACTIVE

AMP | AMPSEAL

TE Internal #: 776286-2

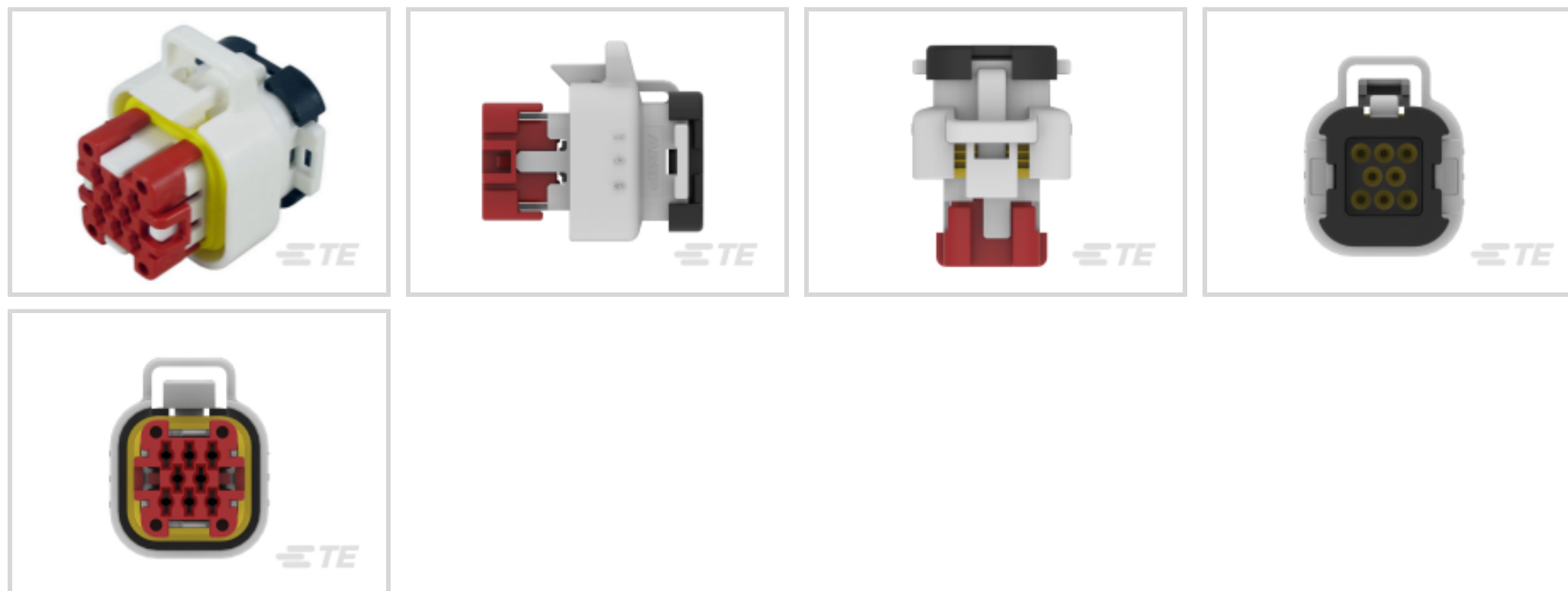
Plug, Wire-to-Board / Wire-to-Panel, 8 Position, 4 mm [.157 in]

Centerline, Sealable, Natural, Wire & Cable, Power, AMPSEAL

[View on TE.com >](#)



Connectors > Automotive Connectors > Automotive Housings > AMPSEAL Receptacle Housings



Connector System: **Wire-to-Board, Wire-to-Panel**

Number of Positions: **8**

Connector & Housing Type: **Plug**

Centerline (Pitch): **4 mm [.157 in]**

Sealable: **Yes**

[All AMPSEAL Receptacle Housings \(31\)](#)

Features

Product Type Features

Connector System	Wire-to-Board, Wire-to-Panel
Connector & Housing Type	Plug
Sealable	Yes
Connector & Contact Terminates To	Wire & Cable
Primary Locking Feature	Integrated in Housing
Mixed & Hybrid Connector	No
Connector Shape	Rectangular

Configuration Features

Number of Positions	8
Number of Rows	3

Housing Features

Centerline (Pitch)	4 mm [.157 in]
Housing Material	PBT



Contact Features

Mating Pin Diameter	1.3 mm[.051 in]
Contact Current Rating (Max)	17 A
Contact Size	1.3mm
Contact Type	Socket

Body Features

Primary Product Color	Natural
Connector & Keying Code	3, 1
Cable Exit Angle	180°

Operation/Application

Circuit Application	Power
---------------------	-------

Mechanical Attachment

Connector Mounting Type	Cable Mount (Free-Hanging)
Strain Relief	Without
Terminal Position Assurance	No
Mating Alignment Type	Keyed
Mating Alignment	With

Usage Conditions

Operating Temperature (Max)	125 °C[257 °F]
Operating Temperature Range	-40 – 125 °C[-40 – 257 °F]

Other

Connector Position Assurance Capable	No
EU RoHS Compliance	Compliant
EU ELV Compliance	Compliant
Serviceable	Yes

Electrical Characteristics

Operating Voltage	159 VDC
-------------------	---------

Dimensions

Row-to-Row Spacing	4 mm[.157 in]
Product Width	38.3 mm[1.5 in]
Product Length	27.4 mm[1.08 in]
Connector Height	34.5 mm[1.35 in]



Industry Standards

IP Rating	IP69K, IP67
UL Flammability Rating	UL 94V-0

Packaging Features

Packaging Quantity	56
Packaging Method	Tray

Product Compliance

[For compliance documentation, visit the product page on TE.com>](#)

EU RoHS Directive 2011/65/EU	Compliant
EU ELV Directive 2000/53/EC	Compliant
China RoHS 2 Directive MIIT Order No 32, 2016	No Restricted Materials Above Threshold
EU REACH Regulation (EC) No. 1907/2006	<p>Current ECHA Candidate List: JUNE 2024 (241) Candidate List Declared Against: JUNE 2024 (241) SVHC > Threshold: Octamethylcyclotetrasiloxane (D4) (.5% in Component Part) Dodecamethylcyclohexasiloxane (D6) (.5% in Component Part) Decamethylcyclopentasiloxane (D5) (.5% in Component Part)</p> <p>Article Safe Usage Statements: Wash thoroughly after handling. Recycle if possible and dispose of the article by following all applicable governmental regulations relevant to your geographic location.</p>
Halogen Content	Not Low Halogen - contains Br or Cl > 900 ppm.
Solder Process Capability	Not applicable for solder process capability

Product Compliance Disclaimer

This information is provided based on reasonable inquiry of our suppliers and represents our current actual knowledge based on the information they provided. This information is subject to change. The part numbers that TE has identified as EU RoHS compliant have a maximum concentration of 0.1% by weight in homogenous materials for lead, hexavalent chromium, mercury, PBB, PBDE, DBP, BBP, DEHP, DIBP, and 0.01% for cadmium, or qualify for an exemption to these limits as defined in the Annexes of Directive 2011/65/EU (RoHS2). Finished electrical and electronic equipment products will be CE marked as required by Directive 2011/65/EU. Components may not be CE marked. Additionally, the part numbers that TE has identified as EU ELV compliant have a maximum concentration of 0.1% by weight in homogenous materials for lead, hexavalent chromium, and mercury, and 0.01% for cadmium, or qualify for an exemption to these limits as defined in the Annexes of Directive 2000/53/EC (ELV). Regarding the REACH Regulation, the information TE provides on SVHC in articles for this part number is based on the latest European Chemicals Agency (ECHA) 'Guidance on requirements for substances in articles' posted at this URL: <https://echa.europa.eu/guidance-documents/guidance-on-reach>



Compatible Parts



TE Part # CAT-AM78-H342
AMPSEAL PCB Vertical Headers



TE Part # CAT-J04-APHH
AMPSEAL PCB Right-Angle Headers



TE Part # CAT-AM78-T273
AMPSEAL Crimp Contacts: 1.3 mm



TE Part # 2138529-1
STRAIN RELIEF, 8 POSITION AMPSEAL

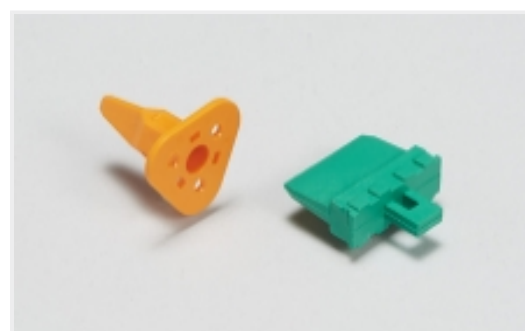


TE Part # 770678-1
SEAL PLUG, AMPSEAL



TE Part # 2373965-1
CPA, AMPSEAL

Also in the Series | AMPSEAL



Automotive Connector Locks & Position Assurance(1)



Automotive Housings(31)



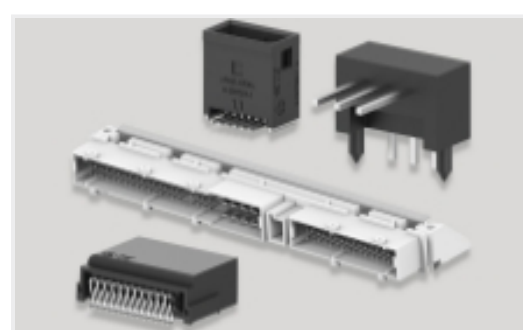
Automotive Terminals(8)



Connector Backshells(4)



Connector Seals & Cavity Plugs(2)



PCB Headers & Receptacles(120)

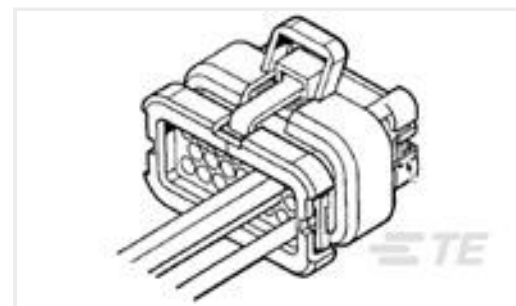
Customers Also Bought



TE Part #499252-8
016 STRAIN RELIEF A-L RCPT



TE Part #776280-2
AMPSEAL PCB Right-Angle Headers



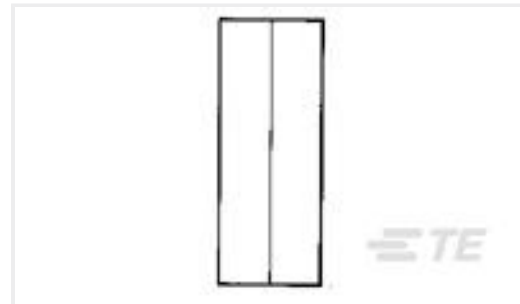
TE Part #776273-5
14POS,AMPSEAL,SOC HSG ASSY,SLD,
COD 5



TE Part #776276-2
AMPSEAL PCB Vertical Headers



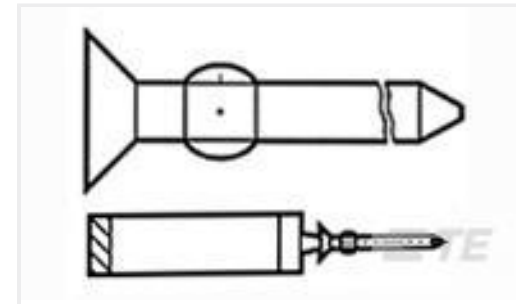
TE Part #41711
RING TERMINAL 22-18 AWG TPBR



TE Part #36909
SPLICE,SOLIS PARA 3/0



TE Part #1418885-1
AMP MCP 1.5K, CONTACT, SWS, (LP)



TE Part #641994-1
MTA100 KEYING PLUG W/CARRIER

Documents

Product Drawings

[8POS,AMPSEAL,SOC HSG ASSY,SLD,COD 2](#)

English

CAD Files

Customer View Model

[ENG_CVM_CVM_776286-2_G.3d_stp.zip](#)

English

[3D PDF](#)

3D

Customer View Model

[ENG_CVM_CVM_776286-2_G.3d_igs.zip](#)

English

Customer View Model

[ENG_CVM_CVM_776286-2_G.2d_dxf.zip](#)

English

By downloading the CAD file I accept and agree to the [Terms and Conditions](#) of use.

Datasheets & Catalog Pages

[AMPSEAL Connector Series](#)

English

[AMPSEAL Connector Catalog](#)

English

[ICT Terminals and Connectors Catalogue](#)

English

[CONNECTOR SELECTOR](#)

English



Product Specifications

Engineering Report

English

Agency Approvals

UL Report

English