



SL-156

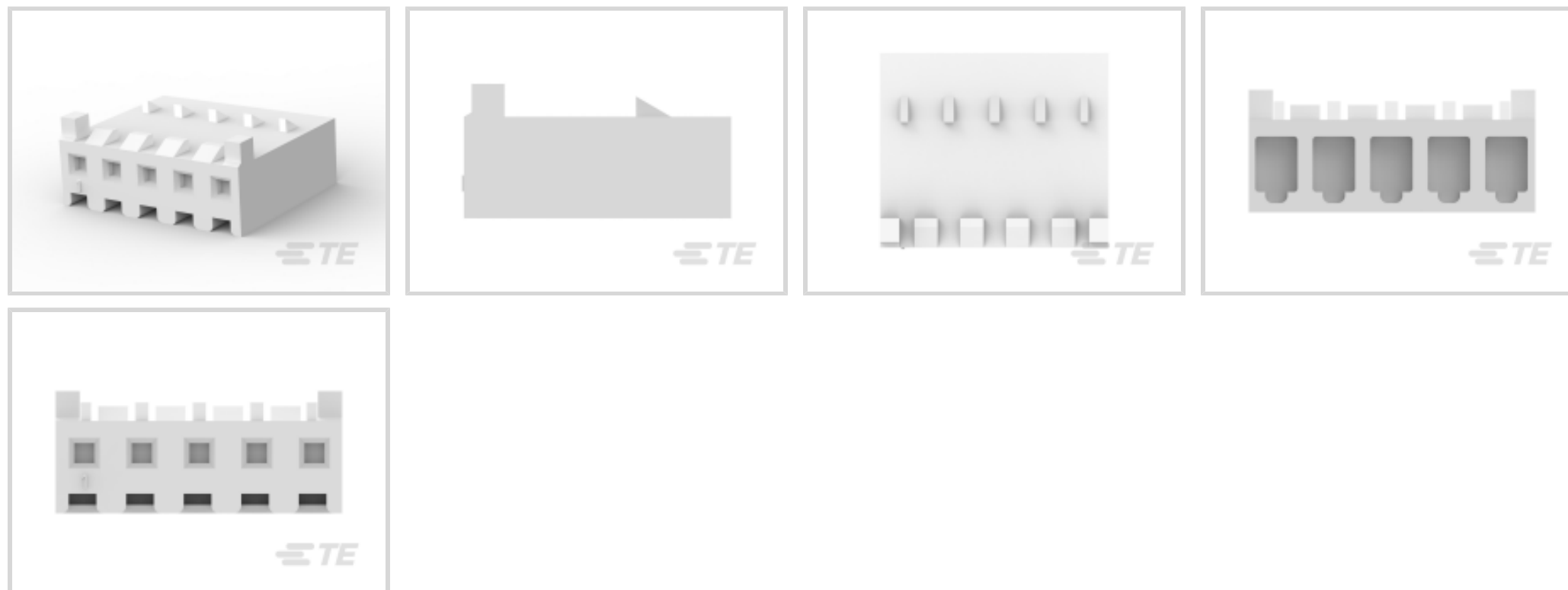
TE Internal #: 2132189-5

Housing, Receptacle, Wire-to-Board, 5 Position, 3.96 mm [.156 in]  
Centerline, Crimp, 1 Row, Natural, Mating Retention, Wire & Cable,  
SL-156

[View on TE.com >](#)

Connectors > PCB Connectors > Wire-to-Board Connectors > Wire-to-Board Connector Assemblies & Housings >

Receptacle Housing: Wire-to-Board, with Mating Alignment, SL156



Connector Product Type: **Housing**

Connector & Housing Type: **Receptacle**

Connector System: **Wire-to-Board**

Number of Positions: **5**

Centerline (Pitch): **3.96 mm [.156 in]**

[All Receptacle Housing: Wire-to-Board, with Mating Alignment, SL156 \(107\)](#)

## Features

### Product Type Features

Connector Product Type	Housing
Connector & Housing Type	Receptacle
Connector System	Wire-to-Board
Sealable	No
Connector & Contact Terminates To	Wire & Cable

### Configuration Features

Number of Positions	5
Number of Rows	1

### Housing Features

Centerline (Pitch)	3.96 mm [.156 in]
Housing Material	Nylon - GF



### Termination Features

Termination Method to Wire & Cable	Crimp
------------------------------------	-------

### Body Features

Primary Product Color	Natural
-----------------------	---------

### Mechanical Attachment

Mating Retention	With
Connector Mounting Type	Cable Mount (Free-Hanging)
Strain Relief	Without
Panel Mount Feature	Without
Mating Retention Type	Locking Ramp
PCB Mount Alignment	Without
PCB Mount Retention	Without

### Contact Features

Contact Current Rating (Max)	6.5 A
Contact Layout	Inline
Contact Retention Within Housing	Without
Contact Base Material	Phosphor Bronze
Contact Type	Socket

### Operation/Application

Circuit Application	Power & Signal
---------------------	----------------

### Usage Conditions

Operating Temperature Range	-55 – 105 °C[-67 – 221 °F]
-----------------------------	----------------------------

### Other

EU RoHS Compliance	Compliant
EU ELV Compliance	Compliant

### Electrical Characteristics

Operating Voltage	250 VAC
-------------------	---------

### Dimensions

Wire Size	24 – 18 AWG
Connector Length	19.73 mm[.777 in]

### Industry Standards

--	--



Compatible With Agency/Standards Products	UL, CSA
UL Flammability Rating	UL 94V-0

### Packaging Features

Packaging Method	Bag
Packaging Quantity	500

### Product Compliance

[For compliance documentation, visit the product page on TE.com>](#)

EU RoHS Directive 2011/65/EU	Compliant
EU ELV Directive 2000/53/EC	Compliant
China RoHS 2 Directive MIIT Order No 32, 2016	No Restricted Materials Above Threshold
EU REACH Regulation (EC) No. 1907/2006	Current ECHA Candidate List: JUNE 2024 (241) Candidate List Declared Against: JUNE 2024 (241) Does not contain REACH SVHC
Halogen Content	Low Halogen - Br, Cl, F, I < 900 ppm per homogenous material. Also BFR/CFR/PVC Free
Solder Process Capability	Not applicable for solder process capability

#### Product Compliance Disclaimer

This information is provided based on reasonable inquiry of our suppliers and represents our current actual knowledge based on the information they provided. This information is subject to change. The part numbers that TE has identified as EU RoHS compliant have a maximum concentration of 0.1% by weight in homogenous materials for lead, hexavalent chromium, mercury, PBB, PBDE, DBP, BBP, DEHP, DIBP, and 0.01% for cadmium, or qualify for an exemption to these limits as defined in the Annexes of Directive 2011/65/EU (RoHS2). Finished electrical and electronic equipment products will be CE marked as required by Directive 2011/65/EU. Components may not be CE marked. Additionally, the part numbers that TE has identified as EU ELV compliant have a maximum concentration of 0.1% by weight in homogenous materials for lead, hexavalent chromium, and mercury, and 0.01% for cadmium, or qualify for an exemption to these limits as defined in the Annexes of Directive 2000/53/EC (ELV). Regarding the REACH Regulation, the information TE provides on SVHC in articles for this part number is based on the latest European Chemicals Agency (ECHA) 'Guidance on requirements for substances in articles' posted at this URL: <https://echa.europa.eu/guidance-documents/guidance-on-reach>

### Compatible Parts




TE Part # CAT-103156-WBHSM  
Receptacle Housing: Wire-to-Board, with Mating Alignment, SL156



TE Part # 3-644613-5  
05P MTA156 HDR RA PO WO PEG LF



TE Part # 640551-5  
05P MTA156 COVER



TE Part # 640389-5  
05P MTA156 HDR ASSY SQ R/A F/L



TE Part # 640384-5  
05P MTA156 HDR ASSY STR RND SN



TE Part # 3-641208-5  
05P MTA156 HDR ASSY FL ST LF



TE Part # 3-641210-5  
05P MTA156 HDR FLRA FB 30AU LF



TE Part # 640385-5  
05P MTA156 HDR ASSY SQ R/A



TE Part # 2-647123-5  
05P MTA156 SHRD HDR ASSY SQ SN



TE Part # 640643-5  
05P MTA156 COVER F/T



TE Part # 640388-5  
05P MTA156 HDR ASSY RN STR F/L



TE Part # 643495-3  
05P MTA156 HDR ASSY W/O#2



TE Part # 640383-5  
05P MTA156 HDR ASSY STR SQ SN



TE Part # 643495-2  
05P MTA156 HDR ASSY W/O#2&4



TE Part # 640445-5  
05P MTA156 HDR ASSY FL/STR SN



TE Part # 644752-5  
05P MTA156 HDR ASSY SQ STR F/L



TE Part # 643495-1  
05P MTA156 HDR ASSY W/O#4



TE Part # 640387-5  
05P MTA156 HDR ASSY SQ R/A



TE Part # 643067-5  
05P MTA156 MOLDED COVER



TE Part # 643071-5  
05P MTA156 FD-THRU COVER

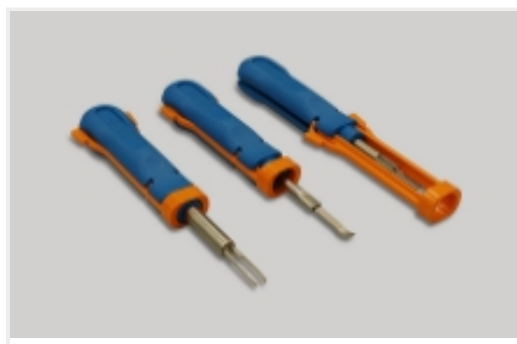
Also in the Series | **SL-156**



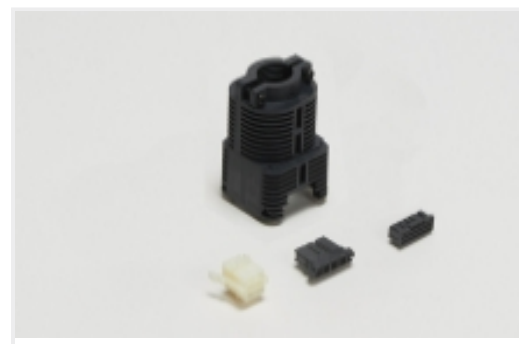
Connector Contacts(23)



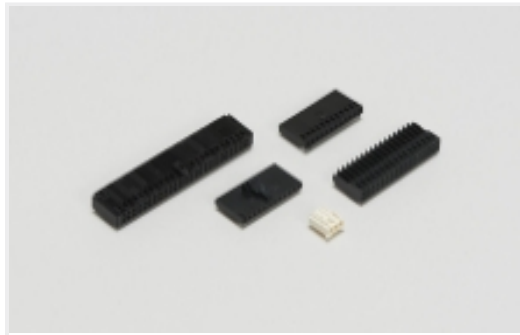
Connector Hardware(4)



Insertion & Extraction Tools(1)



Rectangular Connector Housings(10)



Wire-to-Board Connector Assemblies & Housings(140)

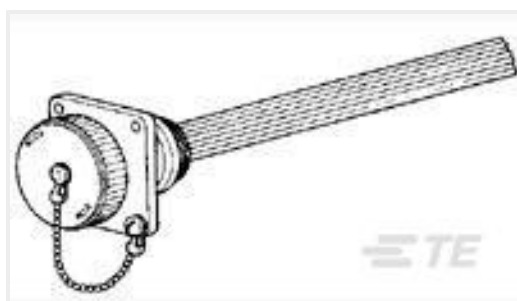
## Customers Also Bought



TE Part #1658614-4  
09 POS HDF RCPT, AP, LEAD FREE



TE Part #3-770476-1  
SL156 RECPT, SNNI/PHBZ



TE Part #208800-1  
SEALING CAP ASSY, SZ 11, CPC



TE Part #60617-5  
CMNL SOK AUBR L/P



TE Part #1838274-4  
M12 Fld Ser CONN. Female Skt Sldr



TE Part #1437012-5  
609-002=HDW IDC JACKSCREW ASSY



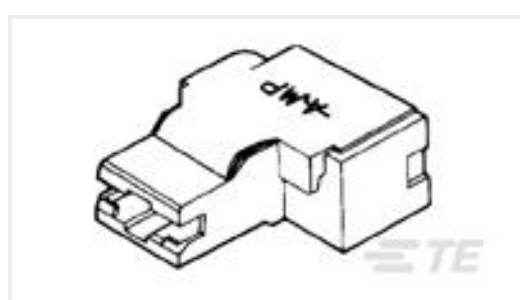
TE Part #1658615-4  
09 POS HDF PLUG, AP, LEAD FREE



TE Part #1462039-4  
IM13GR=IM RELAY 100mW 5V



TE Part #1-1703061-2  
PLUG, 2 CIRCUIT, UNIVERSAL MATE-N-LOK



TE Part #1-172469-1  
PL 250 HOUSING NATURAL 6/6 NYLON

## Documents



### Product Drawings

#### 5P SL156 HSG W/LCK RMP, TABS & RTNR

English

---

### CAD Files

#### 3D PDF

3D

#### Customer View Model

[ENG\\_CVM\\_CVM\\_2132189-5\\_C\\_c-2132189-5-c.2d\\_dxf.zip](#)

English

#### Customer View Model

[ENG\\_CVM\\_CVM\\_2132189-5\\_C\\_c-2132189-5-c.3d\\_igs.zip](#)

English

#### Customer View Model

[ENG\\_CVM\\_CVM\\_2132189-5\\_C\\_c-2132189-5-c.3d\\_stp.zip](#)

English

By downloading the CAD file I accept and agree to the [Terms and Conditions](#) of use.

---

### Datasheets & Catalog Pages

#### 7-1773461-7\_SL-156\_CONNECTOR\_TPA\_DEVICE

English

---

### Product Specifications

#### Application Specification

English

---

### Agency Approvals

#### UL Report

English