



GRACE INERTIA 9.0

TE Internal #: 1903414-2

Housing, Plug, Wire-to-Board, 3 Position, 9 mm [.354 in] Centerline,
Wire & Cable, UL 94V-0, GRACE INERTIA 9.0, Rectangular Power
Connectors

[View on TE.com >](#)

Connectors > Power Connectors > Rectangular Power > Rectangular Power Connectors > Glow Wire GRACE INERTIA Plug



EU RoHS Compliance: **Compliant**

EU ELV Compliance: **Compliant**

Rectangular Power Connector Type: **Housing**

Connector & Housing Type: **Plug**

Connector System: **Wire-to-Board**

[All Glow Wire GRACE INERTIA Plug \(78\)](#)

Features

Other

EU RoHS Compliance	Compliant
EU ELV Compliance	Compliant

Product Type Features

Rectangular Power Connector Type	Housing
Connector & Housing Type	Plug
Connector System	Wire-to-Board
Sealable	No
Connector & Contact Terminates To	Wire & Cable

Configuration Features

Number of Positions	3
Number of Power Positions	3
Number of Signal Positions	0



Number of Rows	1
----------------	---

Electrical Characteristics

Operating Voltage	600 VDC
-------------------	---------

Contact Features

Contact Layout	Inline
----------------	--------

Contact Mating Area Plating Material	Tin
--------------------------------------	-----

Contact Current Rating (Max)	20 A
------------------------------	------

Contact Retention Within Housing	With
----------------------------------	------

Contact Type	Receptacle
--------------	------------

Contact Mating Area Plating Material Thickness	.8 μ m[31.5 μ in]
--	---------------------------

Termination Features

Termination Method to Wire & Cable	Crimp
------------------------------------	-------

Mechanical Attachment

Connector Mounting Type	Cable Mount (Free-Hanging)
-------------------------	----------------------------

Housing Features

Centerline (Pitch)	9 mm[.354 in]
--------------------	---------------

Housing Color	Red
---------------	-----

Housing Material	Nylon 6/6 GF
------------------	--------------

Dimensions

Wire Size	2427 – 7144 CMA
-----------	-----------------

Usage Conditions

Operating Temperature Range	-40 – 105 °C[-40 – 221 °F]
-----------------------------	----------------------------

Operation/Application

Circuit Application	Power
---------------------	-------

Industry Standards

UL Flammability Rating	UL 94V-0
------------------------	----------

Glow Wire Rating	GWT 750°C (Without Flame)
------------------	---------------------------

Packaging Features

Packaging Method	Bag
------------------	-----

Product Compliance

For compliance documentation, visit the product page on [TE.com](https://www.te.com)>



EU RoHS Directive 2011/65/EU	Compliant
EU ELV Directive 2000/53/EC	Compliant
China RoHS 2 Directive MIIT Order No 32, 2016	No Restricted Materials Above Threshold
EU REACH Regulation (EC) No. 1907/2006	Current ECHA Candidate List: JUNE 2024 (241) Candidate List Declared Against: JUNE 2024 (241) Does not contain REACH SVHC
Halogen Content	Not Low Halogen - contains Br or Cl > 900 ppm.
Solder Process Capability	Not reviewed for solder process capability

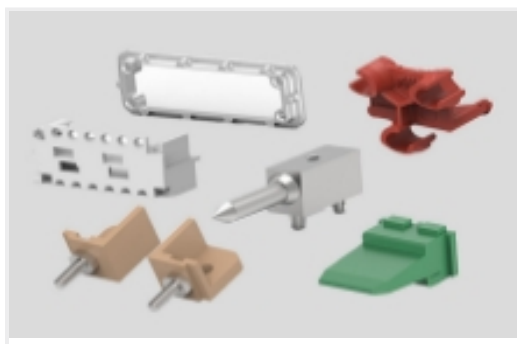
Product Compliance Disclaimer

This information is provided based on reasonable inquiry of our suppliers and represents our current actual knowledge based on the information they provided. This information is subject to change. The part numbers that TE has identified as EU RoHS compliant have a maximum concentration of 0.1% by weight in homogenous materials for lead, hexavalent chromium, mercury, PBB, PBDE, DBP, BBP, DEHP, DIBP, and 0.01% for cadmium, or qualify for an exemption to these limits as defined in the Annexes of Directive 2011/65/EU (RoHS2). Finished electrical and electronic equipment products will be CE marked as required by Directive 2011/65/EU. Components may not be CE marked. Additionally, the part numbers that TE has identified as EU ELV compliant have a maximum concentration of 0.1% by weight in homogenous materials for lead, hexavalent chromium, and mercury, and 0.01% for cadmium, or qualify for an exemption to these limits as defined in the Annexes of Directive 2000/53/EC (ELV). Regarding the REACH Regulation, the information TE provides on SVHC in articles for this part number is based on the latest European Chemicals Agency (ECHA) 'Guidance on requirements for substances in articles' posted at this URL: <https://echa.europa.eu/guidance-documents/guidance-on-reach>

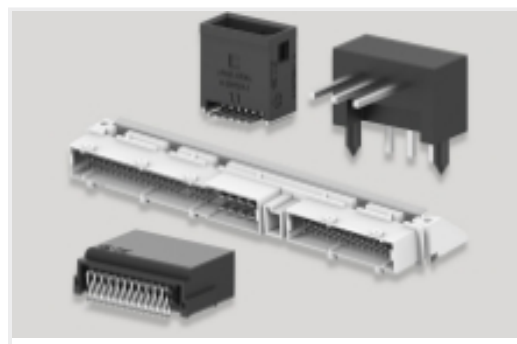
Compatible Parts



Also in the Series | GRACE INERTIA 9.0



Connector Hardware(1)



PCB Headers & Receptacles(3)

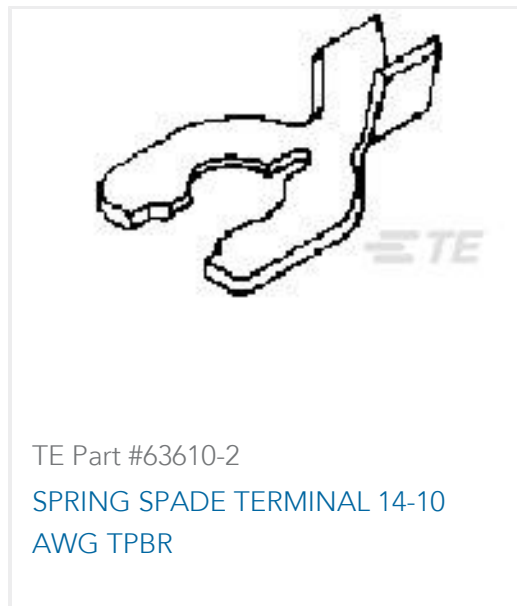


Rectangular Power Connectors(6)

Customers Also Bought



TE Part #1-770901-0
MINI UMNL PIN 26-22 AWG AU LF



TE Part #63610-2
SPRING SPADE TERMINAL 14-10 AWG TPBR



TE Part #42486-3
187 FASTON FLAG REC 20-16 AWG NPST



TE Part #1969877-1
187 HIGH TEMP POS LOCK HSG LCP



TE Part #2238178-1
187 X 020 POS LOC REC 20-16 NISTL



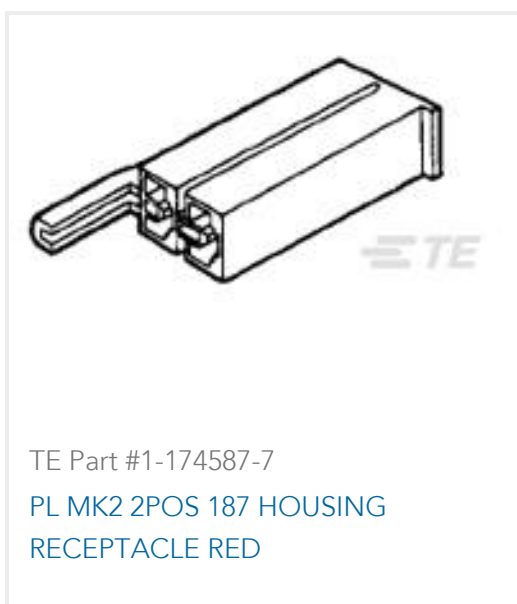
TE Part #917704-1
2.5 SIGNAL DBL LOCK D.L.P. 8P



TE Part #1-172210-1
187 HSG. PL MKII REC. 6mm 2P NAT



TE Part #1-174587-1
PL MK2 2P 187 HOUSING RECEPTACLE NAT



TE Part #1-174587-7
PL MK2 2POS 187 HOUSING RECEPTACLE RED



TE Part #2381807-2
TRI-SLOT MAG-MATE, SLIM LINE

Documents

Product Drawings

[GHC 9.0 3POS PLUG HSG](#)

English

CAD Files

[3D PDF](#)

3D

Customer View Model

[ENG_CVM_CVM_1903414-2_K.2d_dxf.zip](#)



English

Customer View Model

[ENG_CVM_CVM_1903414-2_K.3d_igs.zip](#)

English

Customer View Model

[ENG_CVM_CVM_1903414-2_K.3d_stp.zip](#)

English

By downloading the CAD file I accept and agree to the [Terms and Conditions](#) of use.

Product Specifications

[Application Specification](#)

English