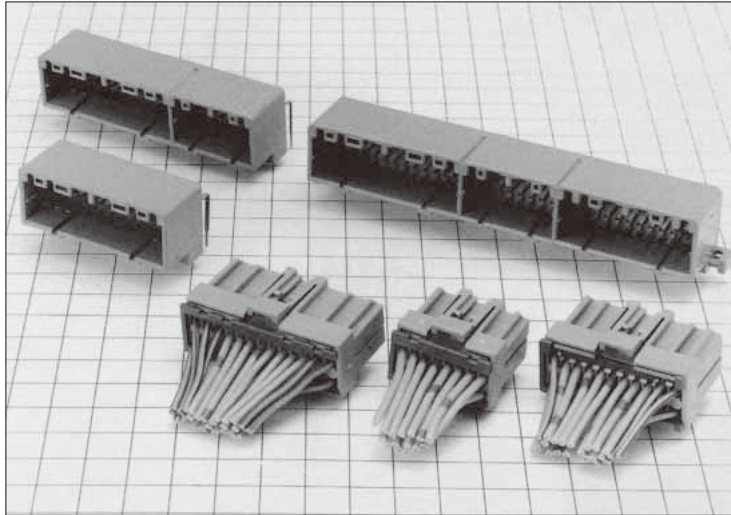


# GT7 Series

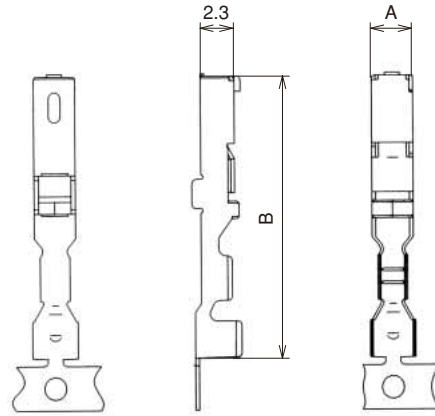


## ■ Features

- These automotive crimp terminals are equivalent to 040 and 070 tab width items.
- The contact point of the F connector side has been given a double structure to make these connectors compatible with low insertion force and high contact pressure at the time of coupling.

## F Connectors

### ● Terminals

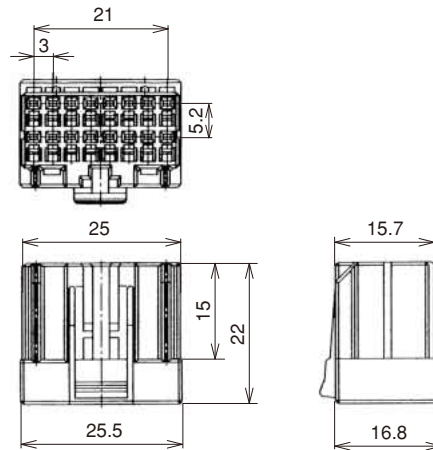
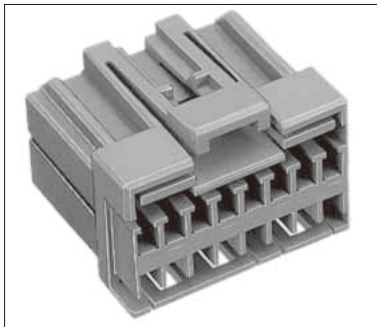


Part No.	HRS No.	Material	Plating	Conductor Size (AWG)	Outer Diameter	A Dimension	B Dimension	Packaging	RoHS
GT7-2022SCF(70)	757-0001-1 70	Copper palloy	Tin plating	20 to 22 AWG	φ1.4 to 2.4	2.8	19	5,000 pcs/reel	YES
GT7A-2022SCF(70)	757-0003-7 70				φ2.6 to 3.1			3,000 pcs/reel	
GT3-2024SCF(70)	753-0006-0 70			20 to 24 AWG	φ1.4 to 2.4	2.3	18.2	5,000 pcs/reel	

Note 1: Sold in reel.

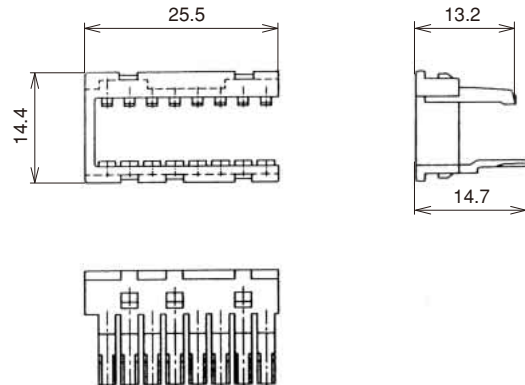
Note 2: This component is used only with applicable HRS housings.

### ● Housing 16 Pos.



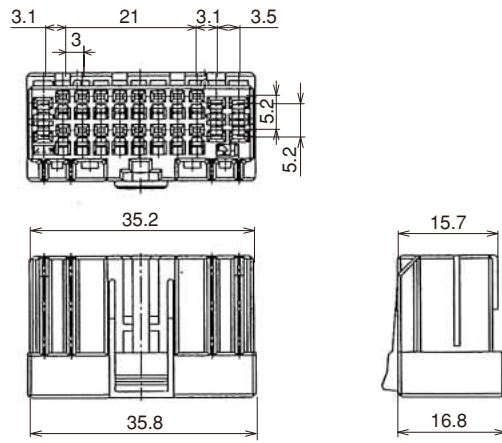
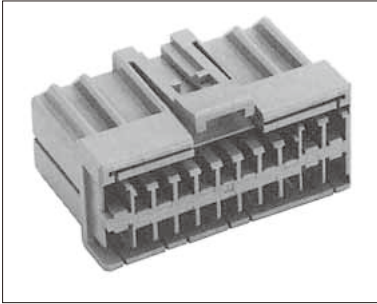
Part No.	HRS No.	Color	Material	Packaging	RoHS
GT7-16DS-HU	757-0008-0	Light Gray	PBT	1	YES

### ● Retainer (Only for GT7-16DS-HU)



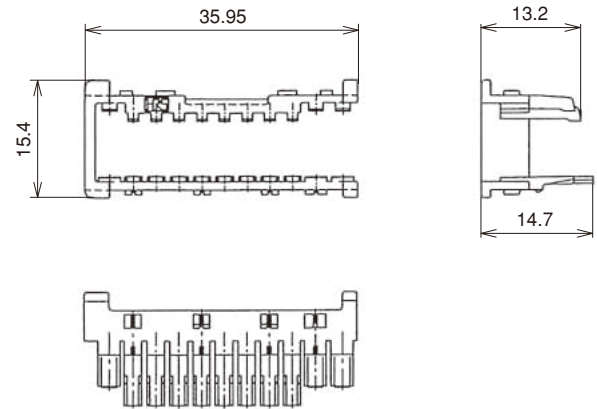
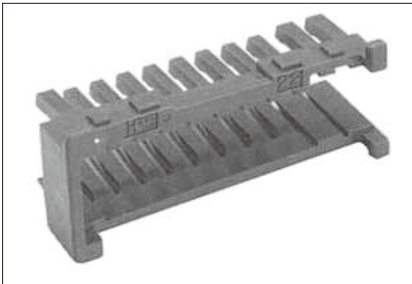
Part No.	HRS No.	Color	Material	Packaging	RoHS
GT7-16R	757-0010-2	Dark Gray	PBT	1	YES

● Housing **22 Pos.**



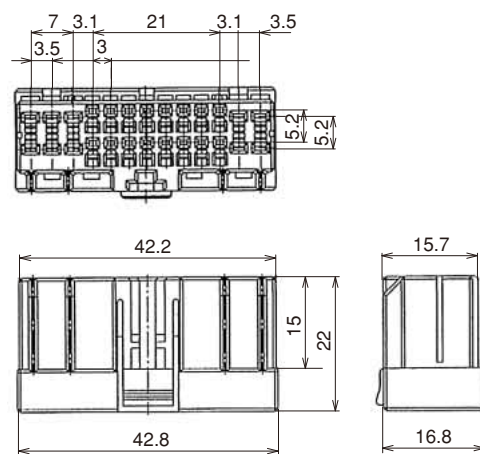
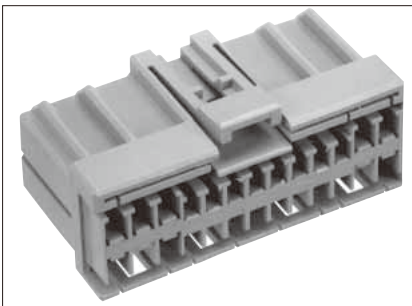
Part No.	HRS No.	Color	Material	Packaging	RoHS
GT7-22DS-HU	757-0015-6	Light Gray	PBT	1	YES

● Retainer (Only for GT7-22DS-HU)



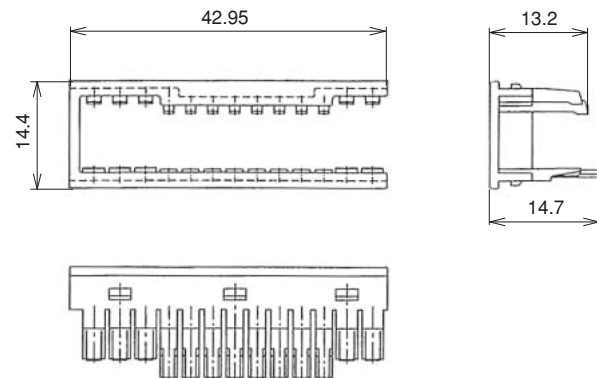
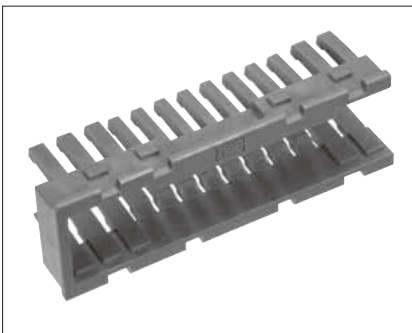
Part No.	HRS No.	Color	Material	Packaging	RoHS
GT7-22R	757-0016-9	Dark Gray	PBT	1	YES

● Housing **26 Pos.**



Part No.	HRS No.	Color	Material	Packaging	RoHS
GT7-26DS-HU	757-0009-3	Light Gray	PBT	1	YES

● Retainer (Only for GT7-26DS-HU)



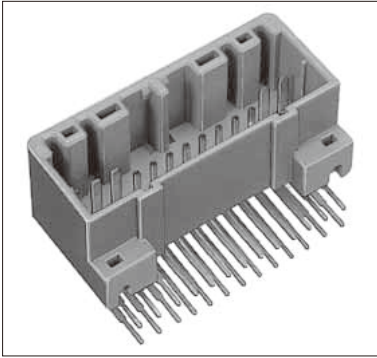
Part No.	HRS No.	Color	Material	Packaging	RoHS
GT7-26R	757-0011-5	Dark Gray	PBT	1	YES

Nov. 1. 2024 Copyright 2024 HIROSE ELECTRIC CO., LTD. All Rights Reserved.

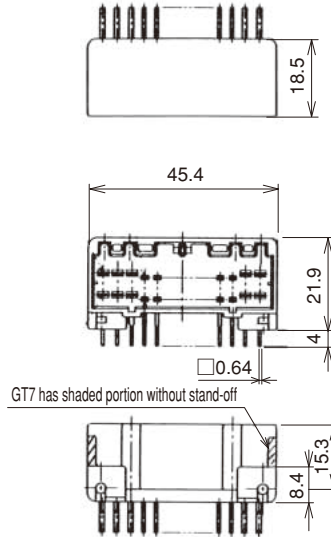
- GT5
- GT13
- GT16
- PO5G
- GT19
- GT21
- GT26
- GT36
- GT11
- GT17
- GT32
- GT3
- GT7**
- GT10
- GT18W
- GT25
- GT8E
- GT9
- GT15

## M Connectors

### ● Board Type **26 Pos.**

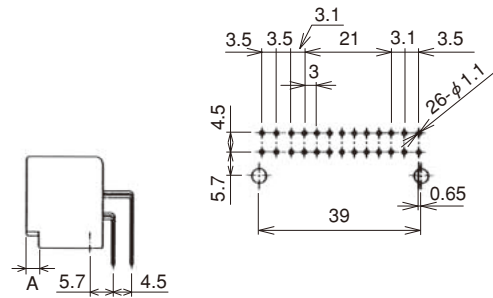


Mates with a 26-pos. F connector.



### ◆ Recommended PCB pattern

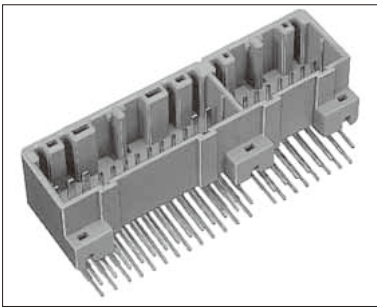
(Tolerance of unmarked values is  $\pm 0.05$ .)



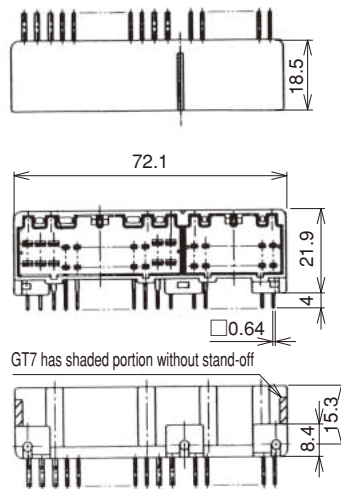
Part No.	HRS No.	Material/Plating or Color	A Dimension	Packaging	RoHS
GT7A-26DP-DS(70)	757-0014-3 70	Housing : PBT / Light Gray	3	1	YES
GT7-26DP-DS(70)	757-0006-5 70	Terminal : Brass / Tin plating	Shaded portion without stand-off		

### ● Board Type / Hybrid Type

#### **42 Pos.** (26pos.+16pos.)

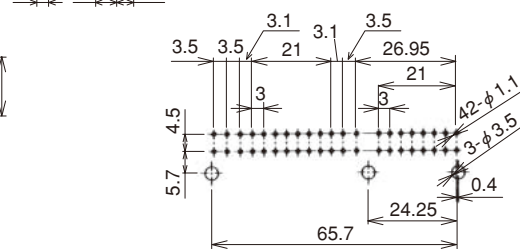


Mates with a 26-pos. + 16-pos. F connector.



### ◆ Recommended PCB pattern

(Tolerance of unmarked values is  $\pm 0.05$ .)



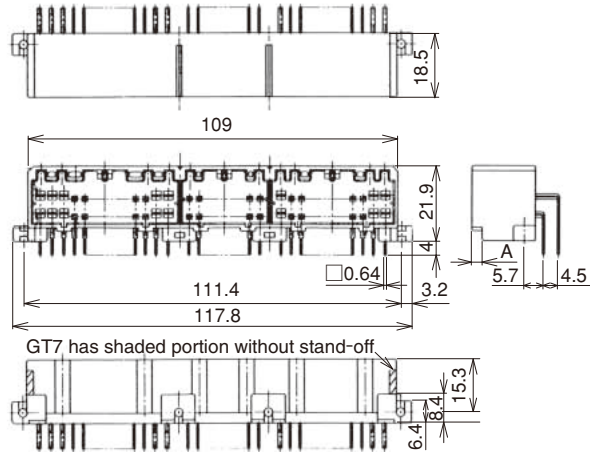
Part No.	HRS No.	Material/Plating or Color	A Dimension	Packaging	RoHS
GT7A-42DP-DS(70)	757-0013-0 70	Housing : PBT / Light Gray	3	1	YES
GT7-42DP-DS(70)	757-0007-8 70	Terminal : Brass / Tin plating	Shaded portion without stand-off		

● Board Type / Hybrid Type

64 Pos.

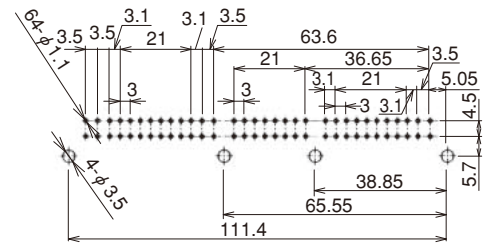


Mates with a 26-pos. + 16-pos. + 22-pos. F connector.



◆ Recommended PCB pattern

(Tolerance of unmarked values is ± 0.05.)

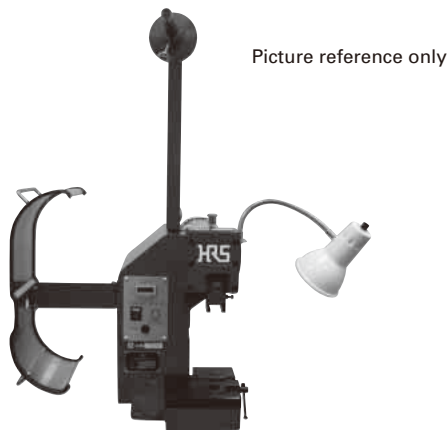


Part No.	HRS No.	A Dimension	Packaging	RoHS
GT7A-64DP-DS(70)	757-0012-8 70	3	1	YES
GT7-64DP-DS(70)	757-0005-2 70	Shaded portion without stand-off		

◆ Crimping tools

User manuals are available. Please ask your Hirose Electric account representative.

Automatic Crimping Machine



Part No. CM-105C

Specifications

Item	Specification	Remarks
Press capacity	1.5ton	
Stroke Length	30mm	
Number of strokes	200spm(50 Hz)	240spm(60 Hz)
Weight	75 kg	
Motor	0.2kw	AC100V
Crimping speed	2,000 to 4,000 pcs/hour	

● Harness tool

Terminal Part No.	Terminal HRS No.	Tool Part No.	Tool HRS No.
GT7-2022SCF(70)	757-0001-1 70	AP 105-GT7-2022	901-5004-9
GT7A-2022SCF(70)	757-0003-7 70	AP 105-GT7A-2022	901-5039-3

\*Crimp height setting tables are available for each cable type.  
Please contact your nearest Hirose Electric account representative.  
Different cables will require different crimp height settings.