

BACA-AMP-62 ✓ ACTIVE

CST | Economy Power

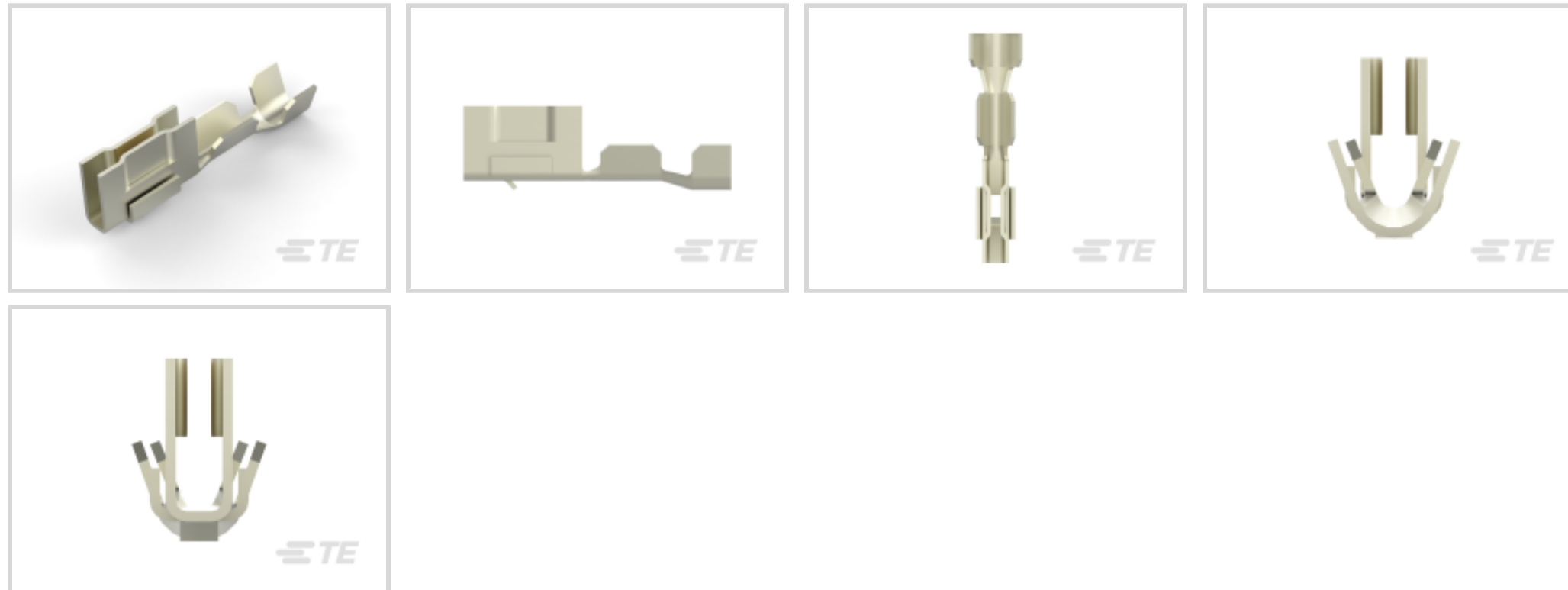
TE Internal #: 1375819-3

Socket Contact, Gold, 250 VAC, Locking Lance Contact Retention, Discrete Wire, 26 – 22 AWG Wire Size, .13 – .33 mm² Wire Size, Crimp, Economy Power

[View on TE.com >](#)



Connectors > Contacts > Connector Contacts



Contact Type: **Socket**

Contact Mating Area Plating Material: **Gold**

Wire Contact Termination Area Plating Material: **Gold Flash**

Operating Voltage: **250 VAC**

Contact Retention Within Housing: **With**

Features

Packaging Features

Packaging Method	Reel
Packaging Quantity	5500

Dimensions

Compatible Insulation Diameter Range	.89 – 1.65 mm [.035 – .065 in]
Wire Size	.13 – .33 mm ²

Contact Features

Contact Underplating Material	Nickel
Mating Square Post Dimension	.63 mm [.025 in]
Contact Type	Socket
Contact Mating Area Plating Material	Gold
Wire Contact Termination Area Plating Material	Gold Flash
Contact Retention Within Housing	With
Contact Base Material	Phosphor Bronze
Contact Current Rating (Max)	4 A



Electrical Characteristics

Operating Voltage	250 VAC
-------------------	---------

Mechanical Attachment

Contact Retention Type Within Housing	Locking Lance
---------------------------------------	---------------

Configuration Features

Compatible With Wire & Cable Type	Discrete Wire
-----------------------------------	---------------

Termination Features

Termination Method to Wire & Cable	Crimp
Product Terminates To	Wire & Cable

Usage Conditions

Operating Temperature Range	-55 – 105 °C[-67 – 221 °F]
-----------------------------	----------------------------

Operation/Application

Circuit Application	Signal
---------------------	--------

Other

EU RoHS Compliance	Compliant
EU ELV Compliance	Compliant

Product Compliance

[For compliance documentation, visit the product page on TE.com>](#)

EU RoHS Directive 2011/65/EU	Compliant
EU ELV Directive 2000/53/EC	Compliant
China RoHS 2 Directive MIIT Order No 32, 2016	No Restricted Materials Above Threshold
EU REACH Regulation (EC) No. 1907/2006	Current ECHA Candidate List: JUNE 2024 (241) Candidate List Declared Against: JUNE 2024 (241) Does not contain REACH SVHC
Halogen Content	Low Halogen - Br, Cl, F, I < 900 ppm per homogenous material. Also BFR/CFR/PVC Free
Solder Process Capability	Not applicable for solder process capability

Product Compliance Disclaimer

This information is provided based on reasonable inquiry of our suppliers and represents our current actual knowledge based on the information they provided. This information is subject to change. The part numbers that TE has identified as



EU RoHS compliant have a maximum concentration of 0.1% by weight in homogenous materials for lead, hexavalent chromium, mercury, PBB, PBDE, DBP, BBP, DEHP, DIBP, and 0.01% for cadmium, or qualify for an exemption to these limits as defined in the Annexes of Directive 2011/65/EU (RoHS2). Finished electrical and electronic equipment products will be CE marked as required by Directive 2011/65/EU. Components may not be CE marked. Additionally, the part numbers that TE has identified as EU ELV compliant have a maximum concentration of 0.1% by weight in homogenous materials for lead, hexavalent chromium, and mercury, and 0.01% for cadmium, or qualify for an exemption to these limits as defined in the Annexes of Directive 2000/53/EC (ELV). Regarding the REACH Regulation, the information TE provides on SVHC in articles for this part number is based on the latest European Chemicals Agency (ECHA) 'Guidance on requirements for substances in articles' posted at this URL: <https://echa.europa.eu/guidance-documents/guidance-on-reach>

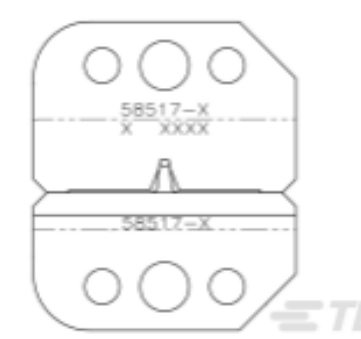
Compatible Parts



TE Part # 2151011-1
OCEAN_2.0_Applicator-S-042F070F-RSM



TE Part # 58517-3
PRO-CRIMPER II TOOL W/DIE SET



TE Part # 58517-4
PRO-CRIMPER II DIE SET



TE Part # 91302-1
CST-100 EXTRACTION TOOL



TE Part # 2151011-2
OCEAN_2.0_Applicator-S-042F070F-RSA



TE Part # 2305570-1
Strip Terminal Cutter-Side Feed-No Crimp



TE Part # 5-2151011-1
OCEAN_2.0_Applicator-S-042F070F-RSM



TE Part # 5-2151011-2
OCEAN_2.0_Applicator-S-042F070F-RSA



KIT
REPRESENTATION ONLY


TE Part # 7-2151011-7
OCEAN_2.0_SPARE_PART_KIT-042F070F



KIT
REPRESENTATION ONLY

TE Part # 7-2836880-7
OC-042F070F-CRIMPTOOLINGKIT


Also in the Series | Economy Power



Connector Contacts(15)



Connector Hardware(2)



Insertion & Extraction Tools(1)



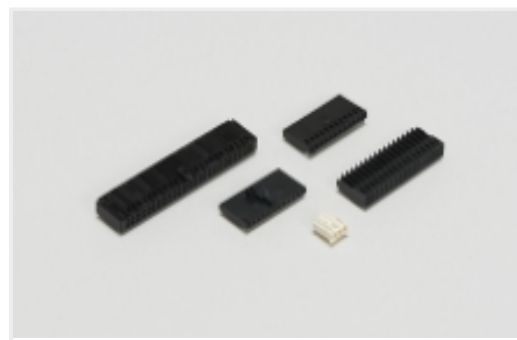
PCB Headers & Receptacles(402)



Rectangular Connector Housings(1)



Rectangular Power Connectors(57)



Wire-to-Board Connector Assemblies & Housings(141)

Customers Also Bought



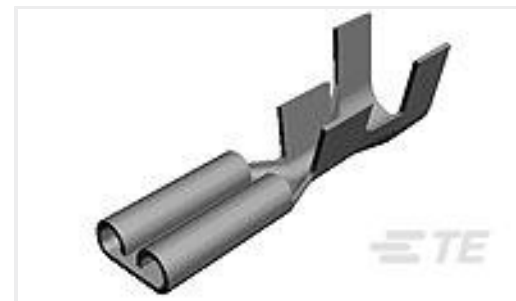
TE Part #1375820-2
Receptacle Housing: 2.54mm, 1 Row, CST-100 II



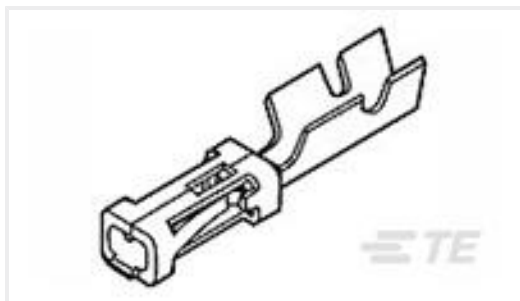
TE Part #50881
TERMINAL,PIDG R 16-14 6



TE Part #1-1658622-0
50 NOVO MIL/CTR 30DP,LEAD FREE



TE Part #60415-1
110 FASTON REC 22-18 AWG TPBR



TE Part #87046-2
MOD IV RECP LP



TE Part #5-103945-7
2X8 MTE SHRD PIN SR LATCH .100



TE Part #1-2213504-1
ASSEMBLY, 2 POSITION, BLACK, WITH POS

Documents

Product Drawings

[CST-100 II CONTACT 30 GOLD PLT](#)

English

CAD Files

Customer View Model

[ENG_CVM_CVM_1375819-3_C.2d_dxf.zip](#)

English

3D PDF

3D

Customer View Model

[ENG_CVM_CVM_1375819-3_C.3d_igs.zip](#)

English

Customer View Model

[ENG_CVM_CVM_1375819-3_C.3d_stp.zip](#)

English

By downloading the CAD file I accept and agree to the [Terms and Conditions](#) of use.



Product Specifications

Application Specification

English

Instruction Sheets

Instruction Sheet (U.S.)

English