

PRODUCT DESCRIPTION CODE :

10155449-Y1X LF

RoHS COMPATIBLE, LEAD FREE

FOR CUSTOMER CODE :
BLANK = GENERAL USE

APPLICABLE AWG, SEE NOTE 1

PLATING :

1 = 1µm MIN MATTE TIN (POSTPLATED) - Ni UNDERLAYER

3 = 0.76µm MIN GOLD (CONTACT AREA) - Ni UNDERLAYER

PRODUCT NO	WIRE SIZE	DIM "A"	DIM "B"	DIM "C"	DIM "D"
10155449-Y11LF	AWG 22	1.95	1.65	2.17	1.67
10155449-Y12LF	AWG 26-28	1.51	1.33	1.67	1.21
10155449-Y13LF	AWG 24	1.95	1.50	1.97	1.45

NOTES

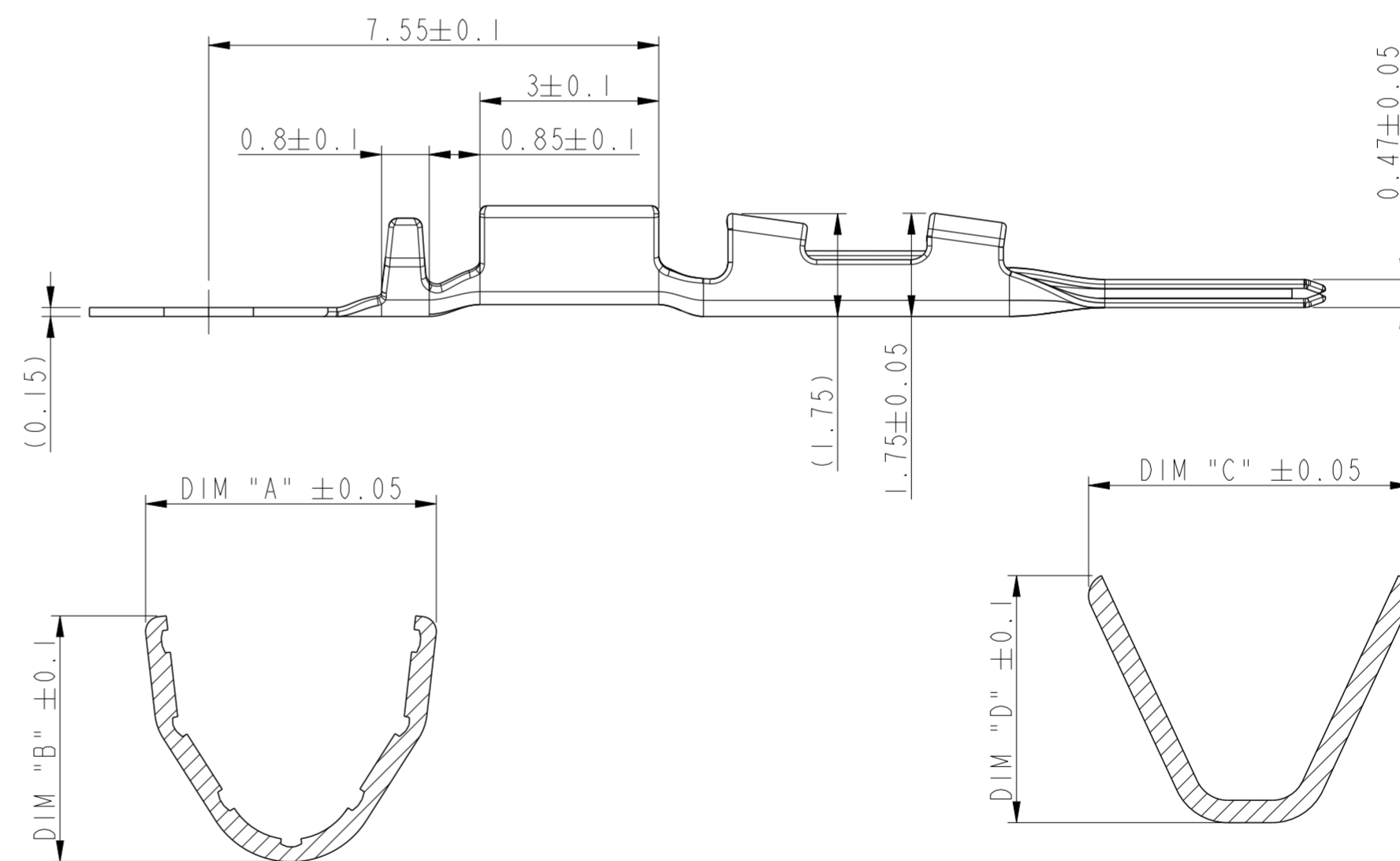
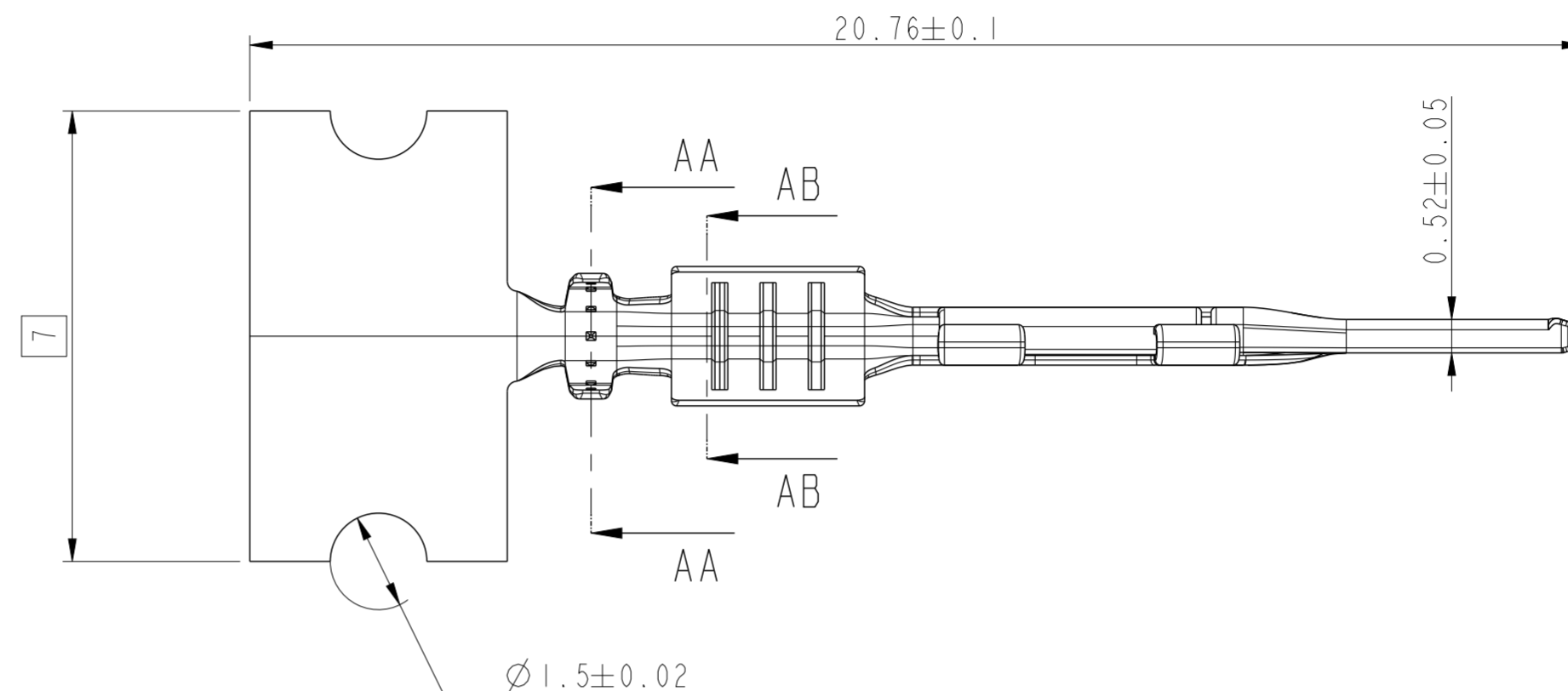
- 1 - APPLICABLE AWG
1 - AWG #22
2 - AWG #26-28
3 - AWG #24

2 - PRODUCT SPECIFICATION : GS-12-1634

3 - APPLICATION SPECIFICATION : GS-20-0657

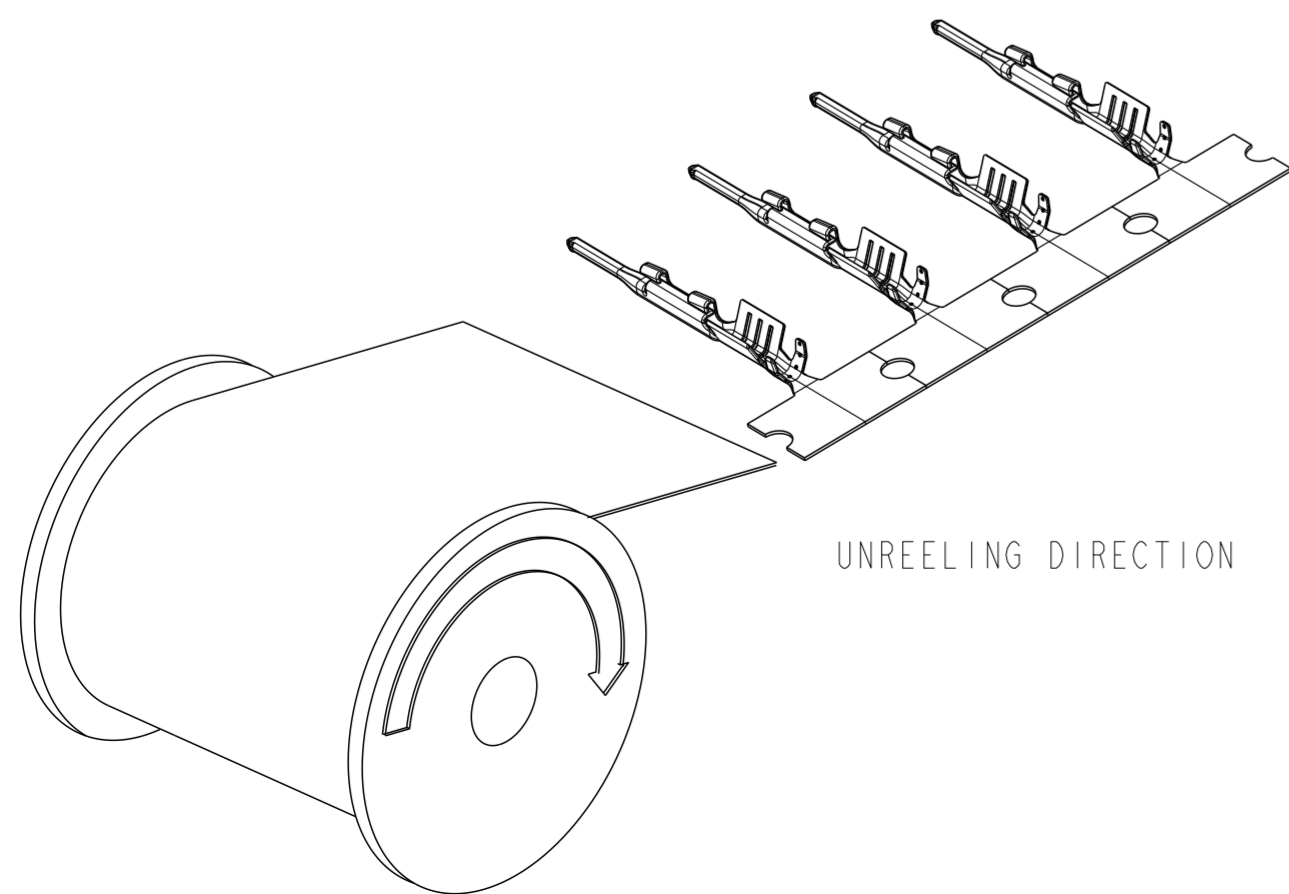
4 - PACKAGING SPECIFICATION : GS-14-2777
15.000 PCS/REEL
2 SPLICES ALLOWED PER REEL

- 5 - RoHS COMPATIBLE PRODUCT SPECIFICATIONS
a - LABELLING :
MEETS PACKAGING SPECS AS PER GS-14-920
b - LEGAL STATEMENT :
SEE GS-47-0004.

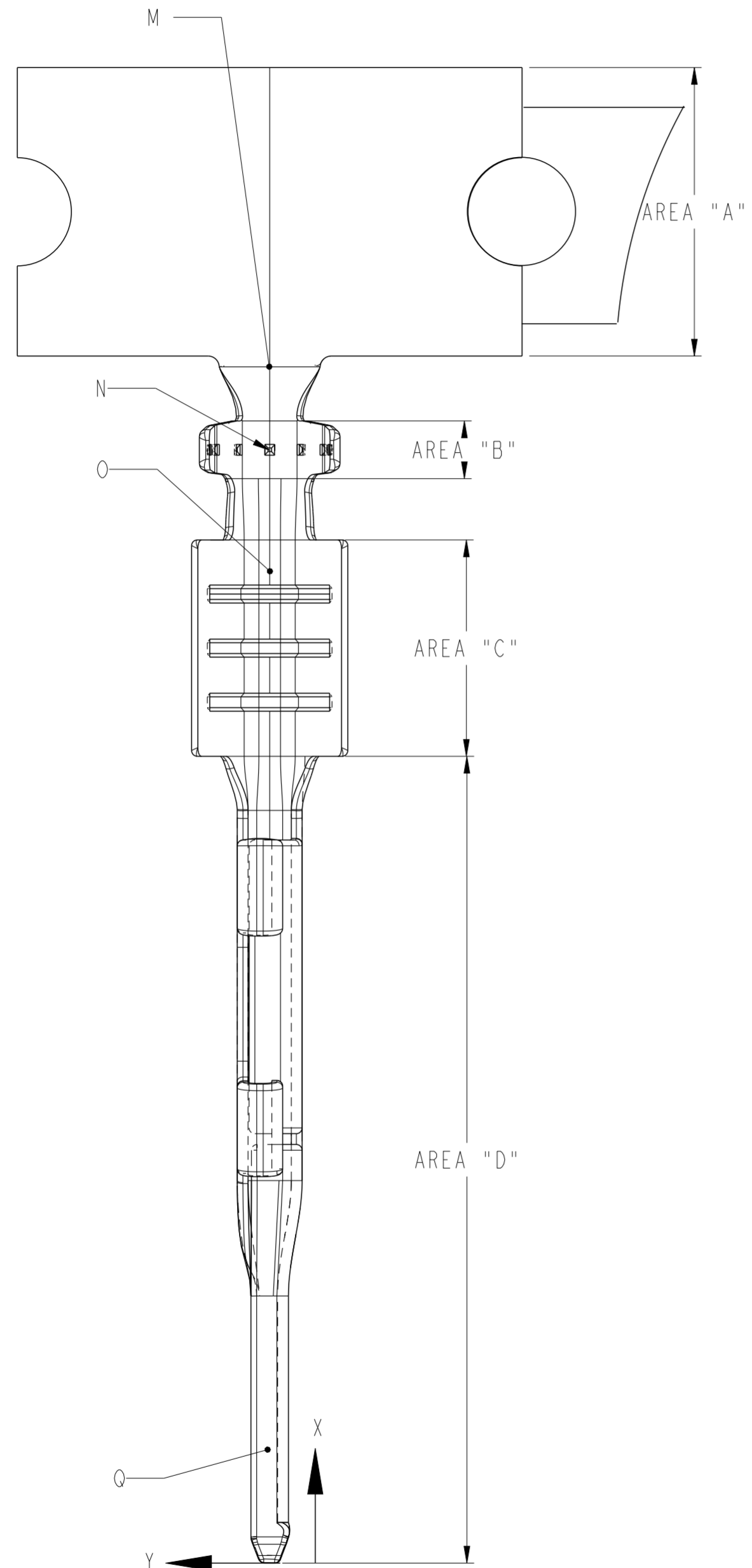


SECTION AA-AA
SCALE 25:1

SECTION AB-AB
SCALE 25:1



spec ref	GS-12-1634	dr	Sawarath, Ambaa	2020/09/02	projection	mm	size	A2	scale	10:1						
tolerance std	ISO 406 ISO 1101	eng	Canque, Vincen	2026/03/05			ecn no	ELX-F-280641-1	rel lev	Released						
surface	linear	0.X	±0.3								title	CTW MALE PIN TERMINAL	dwg no	10155449	rev	D
		0.XX	±0.10													
	angular	0°	±2°													



SCALE 15:1

PLATING CODE 10155449-Y0ILF		
UNDERLAYER FOR ALL PLATED VERSIONS	END LAYER FOR TIN PLATED VERSION (-1IILF)	END LAYER FOR GOLD PLATED VERSION (-3IILF)
Nickel presence POINT M	Tin presence POINT M	Tin presence POINT M
Nickel presence POINT N	Tin presence POINT N	Tin presence POINT N
0.7-1.7µm Ni POINT O	1-6µm Tin POINT O	1-6µm Tin POINT O
1.0-2.0µm Ni POINT Q	1.0-3.0µm Tin POINT Q	0.76µm min Au POINT Q

PLATING THICKNESS MEASURING POINTS		
	X	Y
M - Tin version	16.80	0
N	15.50	0
O	14	0
Q	2	0

spec ref	-	dr	Sawarth, Ambaa	2020/09/02	projection	mm	size	A2	scale	3:1
tolerance std	ISO 406 ISO 1101	eng	Canque, Vincen	2026/03/05			ecn no	ELX-F-280641-1	rel lev	Released
TOLERANCES UNLESS OTHERWISE SPECIFIED		chr	Detouillon, Da	2026/03/05						
		appr	Lamy, Alexandr	2026/03/05						
surface	linear	0.X	±0.3	Amphenol FCI CTW MALE PIN TERMINAL MicroSpaceXS	product family	dwg no 10155449	rev D	Product - Customer Drw		
		0.XX	±0.10					sheet 2 of 2		
		0.XXX	±0.05							
ISO 1302	angular	0°	±2°	amphenol-icc.com	cat. no.					

PDS: Rev :D

STATUS:Released

Printed: Mar 06, 2026

Amphenol FCI

© 2020 Amphenol Corporation