

1-160301-9 ✓ ACTIVE

FASTON | FASTON 250

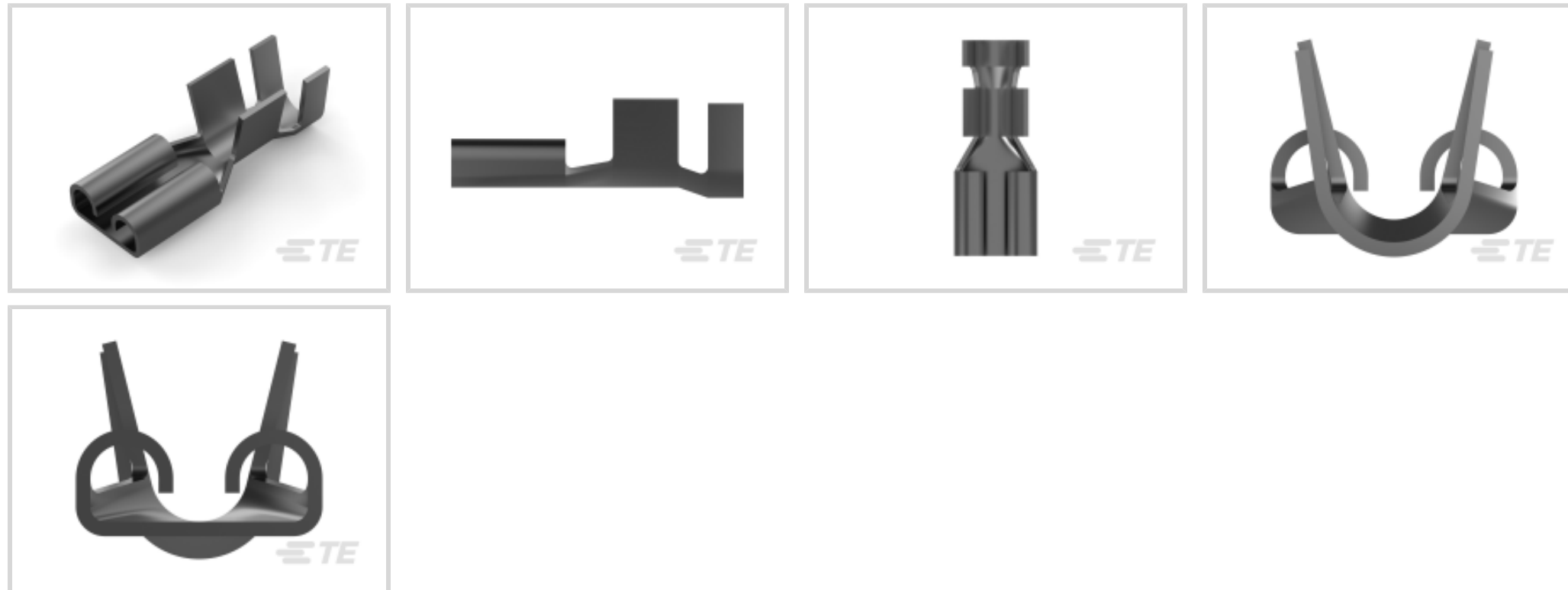
TE Internal #: 1-160301-9

Receptacle, 10 – 12 AWG Wire Size, 4 – 6 mm<sup>2</sup> Wire Size, Mating Tab Width 6.35 mm [.25 in], Straight, Phosphor Bronze, FASTON 250, Quick Disconnects

[View on TE.com >](#)



Terminals & Splices > Quick Disconnects



Quick Disconnect Terminal Type: **Receptacle**

Wire Size: **4 – 6 mm<sup>2</sup>**

Mating Tab Width: **6.35 mm [.25 in]**

Mating Tab Thickness: **.81 mm [.032 in]**

## Features

### Contact Features

Quick Disconnect Terminal Type	Receptacle
Mating Tab Width	6.35 mm [.25 in]
Mating Tab Thickness	.81 mm [.032 in]
Terminal Orientation	Straight
Contact Base Material	Phosphor Bronze
Terminal Plating Material	Unplated
Crimp Type	F-Crimp
Barrel Type	Open

### Dimensions

Wire Size	4 – 6 mm <sup>2</sup>
Product Length	21.4 mm [.843 in]
Compatible Insulation Diameter Range	3.81 – 5 mm [.15 – .197 in]
Terminal Material Thickness	.46 mm [.018 in]

### Packaging Features

Packaging Method	Strip/Reel
------------------	------------



Packaging Quantity	4000
--------------------	------

### Product Type Features

Insertion Force	Low
-----------------	-----

### Usage Conditions

Insulation Option	Uninsulated
-------------------	-------------

Operating Temperature Range	-40 – 110 °C[-40 – 230 °F]
-----------------------------	----------------------------

### Other

EU RoHS Compliance	Compliant
--------------------	-----------

EU ELV Compliance	Compliant
-------------------	-----------

Line	Premier
------	---------

### Configuration Features

Compatible With Wire & Cable Type	Discrete Wire
-----------------------------------	---------------

Connection Capacity	Single
---------------------	--------

### Termination Features

Product Terminates To	Wire & Cable
-----------------------	--------------

### Mechanical Attachment

Wire Insulation Support	With
-------------------------	------

Mating Retention Type	Dimple
-----------------------	--------

### Industry Standards

Compatible With Agency/Standards Products	UL, CSA
---	---------

## Product Compliance

For compliance documentation, visit the [product page on TE.com](#)>

EU RoHS Directive 2011/65/EU	Compliant
------------------------------	-----------

EU ELV Directive 2000/53/EC	Compliant
-----------------------------	-----------

China RoHS 2 Directive MIIT Order No 32, 2016	No Restricted Materials Above Threshold
---	---

EU REACH Regulation (EC) No. 1907/2006	Current ECHA Candidate List: JUNE 2024 (241) Candidate List Declared Against: JUNE 2024 (241) Does not contain REACH SVHC
--	---

Halogen Content	Low Halogen - Br, Cl, F, I < 900 ppm per homogenous material. Also BFR/CFR/PVC Free
-----------------	---



Solder Process Capability

Not applicable for solder process capability

Product Compliance Disclaimer

This information is provided based on reasonable inquiry of our suppliers and represents our current actual knowledge based on the information they provided. This information is subject to change. The part numbers that TE has identified as EU RoHS compliant have a maximum concentration of 0.1% by weight in homogenous materials for lead, hexavalent chromium, mercury, PBB, PBDE, DBP, BBP, DEHP, DIBP, and 0.01% for cadmium, or qualify for an exemption to these limits as defined in the Annexes of Directive 2011/65/EU (RoHS2). Finished electrical and electronic equipment products will be CE marked as required by Directive 2011/65/EU. Components may not be CE marked. Additionally, the part numbers that TE has identified as EU ELV compliant have a maximum concentration of 0.1% by weight in homogenous materials for lead, hexavalent chromium, and mercury, and 0.01% for cadmium, or qualify for an exemption to these limits as defined in the Annexes of Directive 2000/53/EC (ELV). Regarding the REACH Regulation, the information TE provides on SVHC in articles for this part number is based on the latest European Chemicals Agency (ECHA) 'Guidance on requirements for substances in articles' posted at this URL: <https://echa.europa.eu/guidance-documents/guidance-on-reach>

### Compatible Parts



TE Part # 2376595-2  
250 FASTON PCB TAB TPBR



TE Part # 2150322-1  
OCEAN\_2.0\_Applicator-E-177F209F-REM



TE Part # 2150322-2  
OCEAN\_2.0\_Applicator-E-177F209FA-REA



TE Part # 2150323-1  
OCEAN-2.0-APPLICATOR-E-138F177F-REM



TE Part # 2150323-2  
OCEAN-2.0-APPLICATOR-E-138F177F-REA




TE Part # 7-2150322-7  
OCEAN\_2.0\_SPARE\_PART\_KIT-177F209F

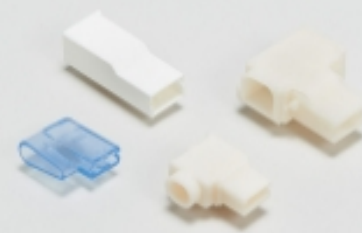


TE Part # 7-2150323-7  
OCEAN\_2.0\_SPARE\_PART\_KIT-138F177F


### Also in the Series | FASTON 250



Compression Connectors(4)



Crimp Terminal Housings(132)



Insertion & Extraction Tools(6)



Magnet Wire Terminals(1)



PCB Terminals(134)

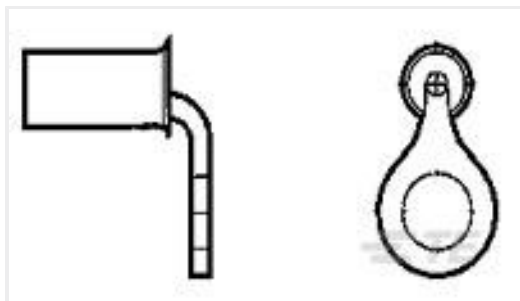


Quick Disconnects(425)

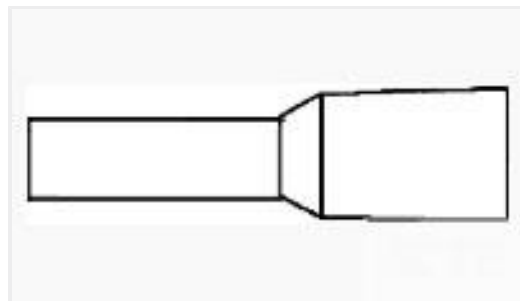


Splices(4)

## Customers Also Bought



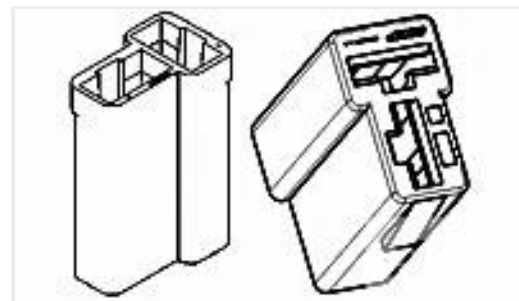
TE Part #54753-1  
TERMINAL R 90 DEG PG 6 10



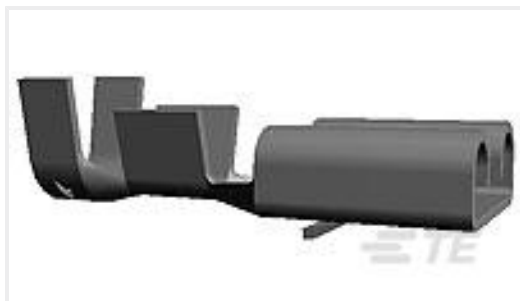
TE Part #966066-1  
FER,WIRE,PL SLV, .25/24,L6,LIGHT-BLUE,LP



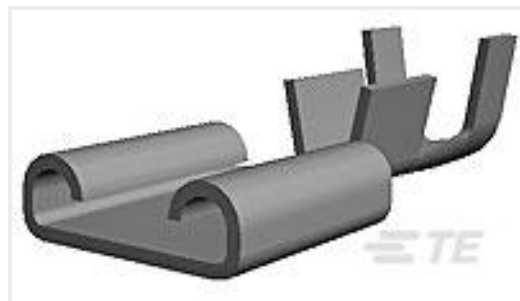
TE Part #350687-7  
UMNL SPLIT PIN AUNI/BR



TE Part #180907  
FF 250 REC HSG 2P NYLON NAT



TE Part #42281-2  
FF 250 REC 18-14AWG TPBR



TE Part #3-160256-1  
250 FASTON,REC.,17-14 AWG,TPPB



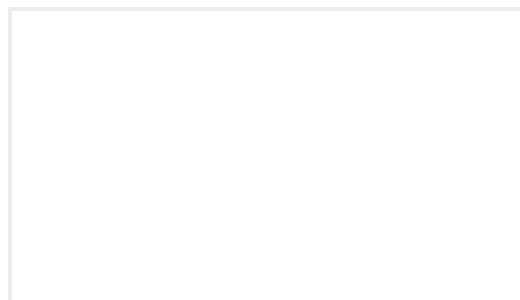
TE Part #L9000020-01  
Antenna 1/2 Wave Whip Swivel 2.4 GHz SMA



TE Part #814727-000  
222A132-4/42-0



TE Part #1-170823-8  
250 FASTON SLEEVE,REC., TRANSPARENT



TE Part #LBT3400LS  
MOUNT,TKG,3/4

## Documents

### Product Drawings

[250 FASTON,REC.,10-12 AWG,PHBZ](#)

English

### CAD Files

Customer View Model

[ENG\\_CVM\\_CVM\\_1-160301-9\\_BA.2d\\_dxf.zip](#)

English

[3D PDF](#)



3D

Customer View Model

[ENG\\_CVM\\_CVM\\_1-160301-9\\_BA.3d\\_igs.zip](#)

English

Customer View Model

[ENG\\_CVM\\_CVM\\_1-160301-9\\_BA.3d\\_stp.zip](#)

English

By downloading the CAD file I accept and agree to the [Terms and Conditions](#) of use.

---

### Datasheets & Catalog Pages

[1654742\\_HOUSEHOLD\\_APPLIANCES\\_RAST5](#)

English

---

### Product Specifications

[Application Specification](#)

English

---

### Agency Approvals

[UL Report](#)

English