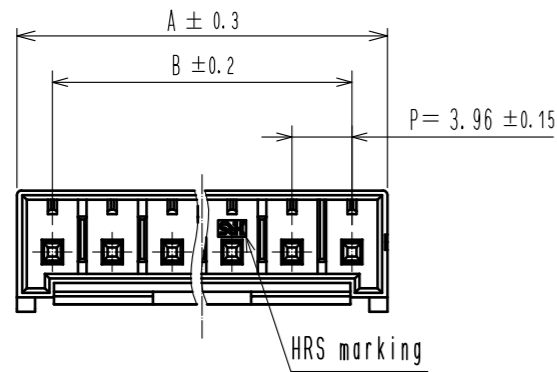
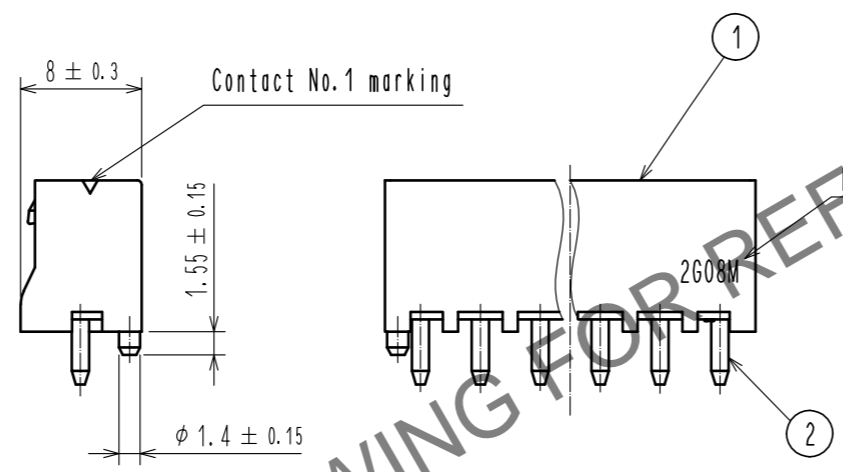
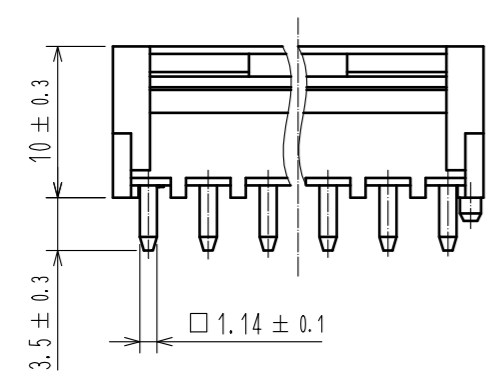
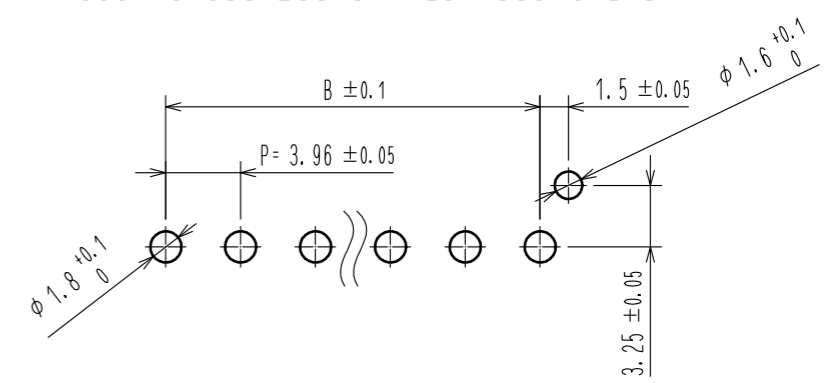


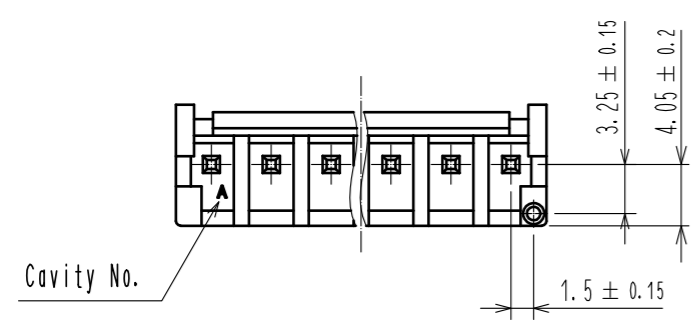
Oct.1.2024 Copyright 2024 HIROSE ELECTRIC CO., LTD. All Rights Reserved.
In case of consideration for using Automotive equipment / device which demand high reliability, kindly contact our sales window correspondents.



Recommended Pattern (free)
(Recommended Board Thickness t=1.6mm)



Part Number	HRS No.	Number of Contact	A	B
DF63M-1P-3.96DSA	680-0566-0	1	6.2	—
DF63M-2P-3.96DSA	680-0567-0	2	8.66	3.96
DF63M-3P-3.96DSA	680-0568-0	3	12.62	7.92
DF63M-4P-3.96DSA	680-0569-0	4	16.58	11.88



HRS DRAWING FOR REFERENCE



NOTE. 1. Per Pack : 100 Pieces.
2. The dimension in parenthesis are for reference.
3. UL (File No. E52653)
C-UL (File No. E52653)
TUV (Certificate No. R50318850) authorization article.



1	PBT	UL94V-0(BLACK)	2	Brass	Tin plating 1 μm min
NO.	MATERIAL	FINISH . REMARKS	NO.	MATERIAL	FINISH . REMARKS
UNITS mm		SCALE 2 : 1	COUNT 1	DESCRIPTION OF REVISIONS DIS-H-00004240	DESIGNED TS. KUMAZAWA
APPROVED : HS. OKAWA 20170830		DRAWING NO. EDC-378620-00-00		CHECKED SZ. ONO	
CHECKED : TS. FUKUSHIMA 20170830		PART NO. DF63M-*P-3.96DSA		DATE 20180925	
DESIGNED : HT. SATO 20170830		CODE NO. CL680-		1/1	
DRAWN : MI. SAKIMURA 20170830					