

2-1969614-4 ✓ ACTIVE



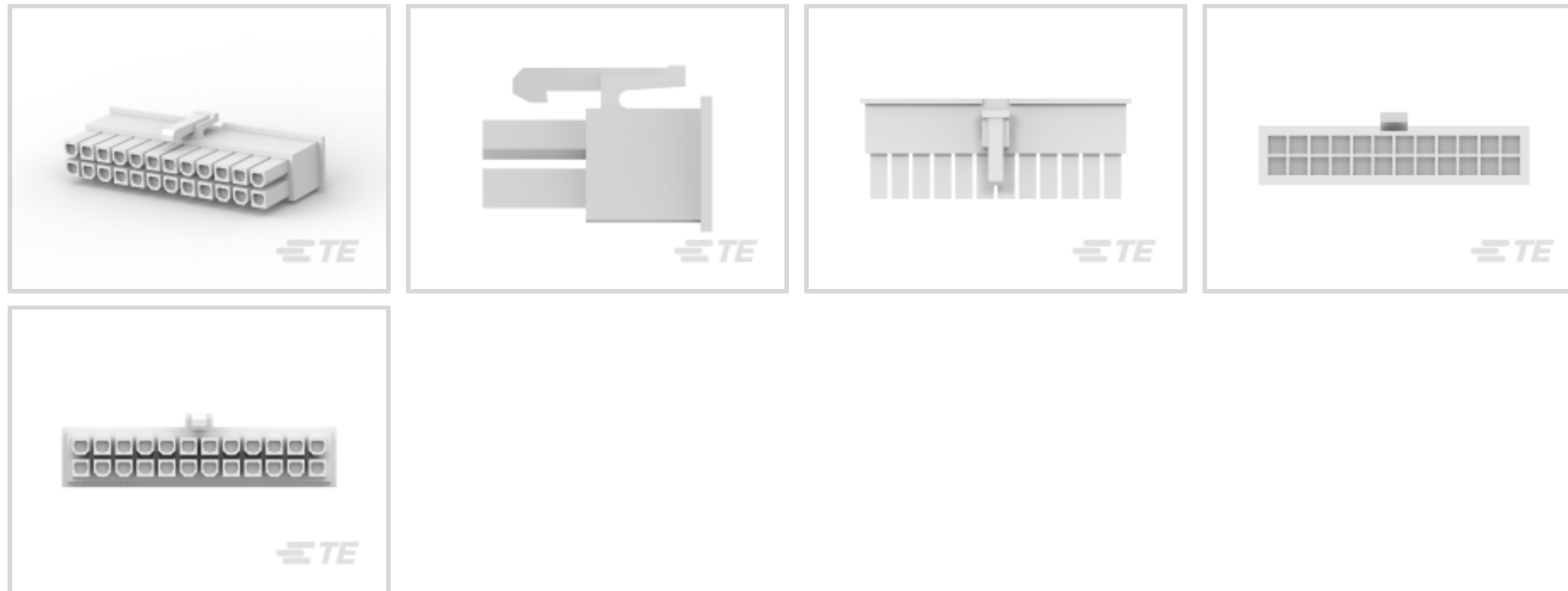
## VAL-U-LOK

TE Internal #: 2-1969614-4

Housing, Receptacle, Wire-to-Wire, 24 Position, 4.2 mm [.165 in]  
Centerline, Wire & Cable, UL 94V-0, Rectangular Power Connectors

[View on TE.com >](#)

Connectors > Power Connectors > Rectangular Power > Rectangular Power Connectors



EU RoHS Compliance: **Compliant**

Rectangular Power Connector Type: **Housing**

Connector & Housing Type: **Receptacle**

Connector System: **Wire-to-Wire**

Number of Positions: **24**

### Features

#### Other

EU RoHS Compliance	Compliant
--------------------	-----------

#### Product Type Features

Rectangular Power Connector Type	Housing
Connector & Housing Type	Receptacle
Connector System	Wire-to-Wire
Sealable	No
Connector & Contact Terminates To	Wire & Cable

#### Configuration Features

Number of Positions	24
Number of Rows	2

#### Electrical Characteristics

Operating Voltage	600 VAC
-------------------	---------

#### Contact Features

Contact Retention Within Housing	Without
----------------------------------	---------

Contact Type

Receptacle

**Termination Features**

Termination Method to Wire &amp; Cable

Crimp

**Mechanical Attachment**

Connector Mounting Type

Cable Mount (Free-Hanging)

**Housing Features**

Centerline (Pitch)

4.2 mm [.165 in]

Housing Color

Natural

Housing Material

Nylon 6/6

**Dimensions**

Product Width

19.8 mm [.779 in]

Product Length

51.6 mm [2.031 in]

Connector Height

11.7 mm [.461 in]

Row-to-Row Spacing

4.2 mm [.165 in]

**Usage Conditions**

Operating Temperature Range

-40 – 105 °C [-40 – 221 °F]

**Operation/Application**

Circuit Application

Power &amp; Signal

**Industry Standards**

Compatible With Agency/Standards Products

UL, CSA

UL Rating

Recognized

Compatible With Approved Standards Products

UL E28476

CSA Rating

208567

UL Flammability Rating

UL 94V-0

Glow Wire Rating

Standard Part - Not Glow Wire

**Packaging Features**

Packaging Quantity

500

Packaging Method

Bag

**Product Compliance**

For compliance documentation, visit the product page on [TE.com](https://www.te.com)>

EU RoHS Directive 2011/65/EU

Compliant



EU ELV Directive 2000/53/EC	Not Yet Reviewed
China RoHS 2 Directive MIIT Order No 32, 2016	No Restricted Materials Above Threshold
EU REACH Regulation (EC) No. 1907/2006	Current ECHA Candidate List: JUNE 2024 (241) Candidate List Declared Against: JUNE 2024 (241) Does not contain REACH SVHC
Halogen Content	Low Halogen - Br, Cl, F, I < 900 ppm per homogenous material. Also BFR/CFR/PVC Free
Solder Process Capability	Not reviewed for solder process capability

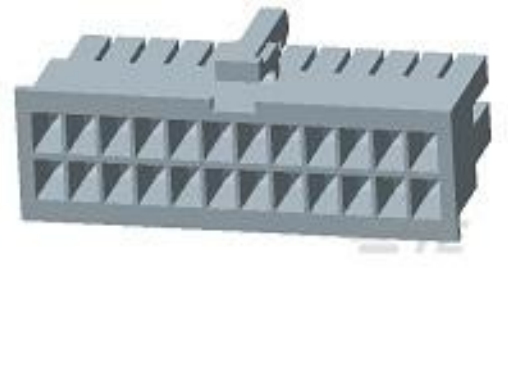

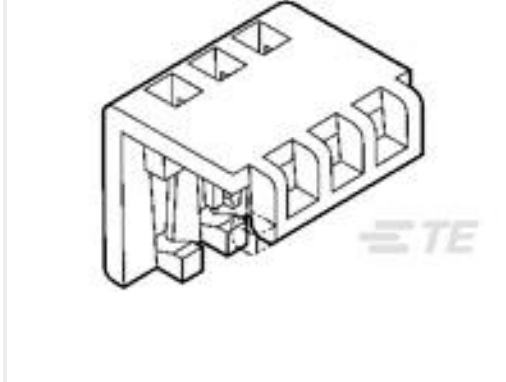

Product Compliance Disclaimer

This information is provided based on reasonable inquiry of our suppliers and represents our current actual knowledge based on the information they provided. This information is subject to change. The part numbers that TE has identified as EU RoHS compliant have a maximum concentration of 0.1% by weight in homogenous materials for lead, hexavalent chromium, mercury, PBB, PBDE, DBP, BBP, DEHP, DIBP, and 0.01% for cadmium, or qualify for an exemption to these limits as defined in the Annexes of Directive 2011/65/EU (RoHS2). Finished electrical and electronic equipment products will be CE marked as required by Directive 2011/65/EU. Components may not be CE marked. Additionally, the part numbers that TE has identified as EU ELV compliant have a maximum concentration of 0.1% by weight in homogenous materials for lead, hexavalent chromium, and mercury, and 0.01% for cadmium, or qualify for an exemption to these limits as defined in the Annexes of Directive 2000/53/EC (ELV). Regarding the REACH Regulation, the information TE provides on SVHC in articles for this part number is based on the latest European Chemicals Agency (ECHA) 'Guidance on requirements for substances in articles' posted at this URL: <https://echa.europa.eu/guidance-documents/guidance-on-reach>

## Compatible Parts

 <p>TE Part # 2-1969613-4 24P PM PLUG VAL-U-LOK V0</p>	 <p>TE Part # 2-1586018-4 24P PM PLUG VAL-U-LOK V0</p>	 <p>TE Part # 2-1586017-4 24P FH PLUG VAL-U-LOK V0</p>	 <p>TE Part # 2-1969612-4 24P FH PLUG VAL-U-LOK V0</p>
---	--	---	---

## Customers Also Bought

 <p>TE Part #2-1969614-0 20P RCPT VAL-U-LOK V0</p>	 <p>TE Part #643569-3 06P MTA156 HDR ASSY W/O#2</p>	 <p>TE Part #2-643075-4 24P MTA100 MOLDED COVER</p>	 <p>TE Part #2151743-1 OCEAN_2.0_Applicator-S-080F140OV-RSM</p>
---	---	--	--



## Documents

### Product Drawings

#### 24P RCPT VAL-U-LOK V0

English

### CAD Files

#### 3D PDF

3D

#### Customer View Model

[ENG\\_CVM\\_CVM\\_2-1969614-4\\_A\\_c-2-1969614-4-a.2d\\_dxf.zip](#)

English

#### Customer View Model

[ENG\\_CVM\\_CVM\\_2-1969614-4\\_A\\_c-2-1969614-4-a.3d\\_igs.zip](#)

English

#### Customer View Model

[ENG\\_CVM\\_CVM\\_2-1969614-4\\_A\\_c-2-1969614-4-a.3d\\_stp.zip](#)

English

By downloading the CAD file I accept and agree to the [Terms and Conditions](#) of use.

### Datasheets & Catalog Pages

#### 1-1773730-3 VAL-U-LOK Connectors with TPA Flyer

English

### Product Specifications

#### Application Specification

English

### Agency Approvals

#### UL Report

English