

1744048-6 ✓ ACTIVE



Economy Power

TE Internal #: 1744048-6

PCB Mount Header, Right Angle, Wire-to-Board, 6 Position, 5.08 mm [.2 in] Centerline, Partially Shrouded, Tin, Through Hole - Solder, Economy Power

[View on TE.com >](#)

Connectors > PCB Connectors > PCB Headers & Receptacles



EU RoHS Compliance: **Compliant**

EU ELV Compliance: **Compliant**

PCB Connector Assembly Type: **PCB Mount Header**

PCB Mount Orientation: **Right Angle**

Connector System: **Wire-to-Board**

### Features

#### Other

EU RoHS Compliance	Compliant
EU ELV Compliance	Compliant

#### Product Type Features

Connector Shape	Rectangular
PCB Connector Assembly Type	PCB Mount Header
Connector System	Wire-to-Board
Header Type	Partially Shrouded
Sealable	No
Connector & Contact Terminates To	Printed Circuit Board

#### Configuration Features

Number of Loaded Positions	6
Number of Power Positions	6
PCB Mount Orientation	Right Angle
Number of Positions	6



Number of Rows	1
----------------	---

### Electrical Characteristics

Operating Voltage	250 VDC
-------------------	---------

### Body Features

Primary Product Color	Natural
-----------------------	---------

### Contact Features

Contact Underplating Material	Nickel
-------------------------------	--------

Contact Underplating Material Thickness	.76 $\mu\text{m}$ [30 $\mu\text{in}$ ]
---	--

Contact Size	1.14mm
--------------	--------

Contact Mating Area Plating Material Thickness	2 $\mu\text{m}$ [80 $\mu\text{in}$ ]
--	--------------------------------------

PCB Contact Termination Area Plating Material Thickness	2 $\mu\text{m}$ [80 $\mu\text{in}$ ]
---	--------------------------------------

Contact Shape & Form	Square
----------------------	--------

Contact Layout	Inline
----------------	--------

Contact Mating Area Length	8.6 mm[.339 in]
----------------------------	-----------------

Contact Base Material	Brass
-----------------------	-------

PCB Contact Termination Area Plating Material	Tin
---	-----

Contact Mating Area Plating Material	Tin
--------------------------------------	-----

Contact Type	Tab
--------------	-----

Contact Current Rating (Max)	8 A
------------------------------	-----

### Termination Features

Termination Post & Tail Length	3.6 mm[.141 in]
--------------------------------	-----------------

Termination Method to PCB	Through Hole - Solder
---------------------------	-----------------------

### Mechanical Attachment

Mating Retention Type	Locking Tab
-----------------------	-------------

Mating Retention	With
------------------	------

PCB Mount Retention	Without
---------------------	---------

PCB Mount Alignment	Without
---------------------	---------

Connector Mounting Type	Board Mount
-------------------------	-------------

Mating Alignment	Without
------------------	---------

### Housing Features

Housing Material	Nylon 66
------------------	----------

Centerline (Pitch)	5.08 mm[.2 in]
--------------------	----------------



### Dimensions

Connector Width	9.4 mm[.37 in]
PCB Thickness (Recommended)	1.6 mm[.063 in]
Connector Height	8.21 mm[.323 in]
Connector Length	29.36 mm[1.15 in]

### Usage Conditions

Operating Temperature (Max)	105 °C[221 °F]
Operating Temperature Range	-30 – 105 °C[-22 – 221 °F]

### Operation/Application

Circuit Application	Power
---------------------	-------

### Industry Standards

Glow Wire Rating	Standard Part - Not Glow Wire
UL Flammability Rating	UL 94V-0

### Packaging Features

Packaging Quantity	500
Packaging Method	Bag

### Product Compliance

[For compliance documentation, visit the product page on TE.com>](#)

EU RoHS Directive 2011/65/EU	Compliant
EU ELV Directive 2000/53/EC	Compliant
China RoHS 2 Directive MIIT Order No 32, 2016	No Restricted Materials Above Threshold
EU REACH Regulation (EC) No. 1907/2006	Current ECHA Candidate List: JUNE 2024 (241) Candidate List Declared Against: JUNE 2022 (224) Does not contain REACH SVHC
Halogen Content	Low Halogen - Br, Cl, F, I < 900 ppm per homogenous material. Also BFR/CFR/PVC Free
Solder Process Capability	Wave solder capable to 240°C

#### Product Compliance Disclaimer

This information is provided based on reasonable inquiry of our suppliers and represents our current actual knowledge based on the information they provided. This information is subject to change. The part numbers that TE has identified as EU RoHS compliant have a maximum concentration of 0.1% by weight in homogenous materials for lead, hexavalent chromium, mercury, PBB, PBDE, DBP, BBP, DEHP, DIBP, and 0.01% for cadmium, or qualify for an exemption to these

limits as defined in the Annexes of Directive 2011/65/EU (RoHS2). Finished electrical and electronic equipment products will be CE marked as required by Directive 2011/65/EU. Components may not be CE marked. Additionally, the part numbers that TE has identified as EU ELV compliant have a maximum concentration of 0.1% by weight in homogenous materials for lead, hexavalent chromium, and mercury, and 0.01% for cadmium, or qualify for an exemption to these limits as defined in the Annexes of Directive 2000/53/EC (ELV). Regarding the REACH Regulation, the information TE provides on SVHC in articles for this part number is based on the latest European Chemicals Agency (ECHA) 'Guidance on requirements for substances in articles' posted at this URL: <https://echa.europa.eu/guidance-documents/guidance-on-reach>

## Compatible Parts



TE Part # 1744416-6  
6 POS EP II HSG, GLOW WIRE



TE Part # 2-1744036-6  
06P ECONOMY POWER .200 CL HSG



TE Part # 8-1744056-2  
3.96 EP HDR ASSY 2P R/A HT,TAPE



TE Part # 1744337-1  
EP HDR ASSY 3P R/A, OMIT 2



TE Part # 1744036-6  
06P ECONOMY POWER .200 CL HSG



TE Part # 1744496-6  
06P EP-II HOUSING, BLUE

## Also in the Series | Economy Power



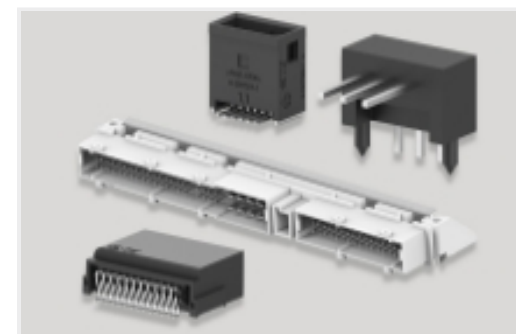
Connector Contacts(15)



Connector Hardware(2)



Insertion & Extraction Tools(1)



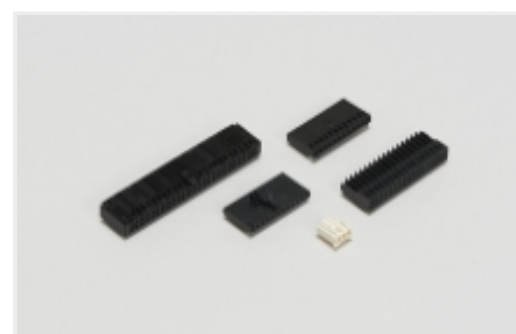
PCB Headers & Receptacles(402)



Rectangular Connector Housings(1)



Rectangular Power Connectors(57)

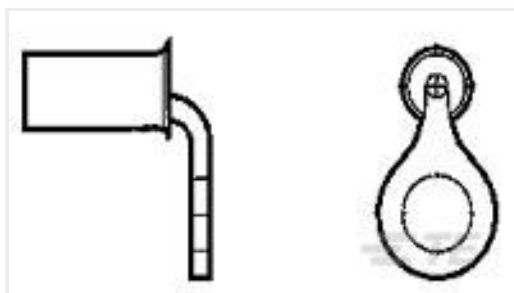


Wire-to-Board Connector Assemblies & Housings(141)

## Customers Also Bought



TE Part #T4110001041-000  
M12,FEMALE,STRAIGHT,A CODE,4P,  
PG7,GOLD



TE Part #322906  
TERMINAL,SOLIS R 90DEG 1/0 3/8



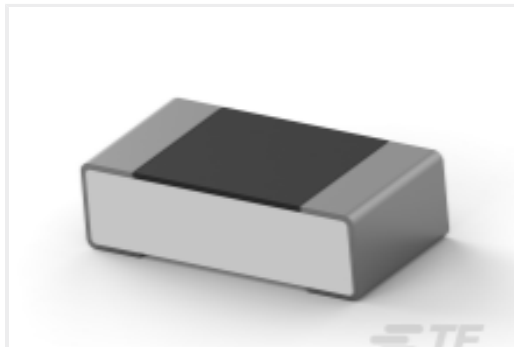
TE Part #2-1744036-6  
06P ECONOMY POWER .200 CL HSG



TE Part #1123721-2  
ECONOMY POWER CONN REC  
CONT



TE Part #1546306-4  
4P .374" DR BARRIER STRIP



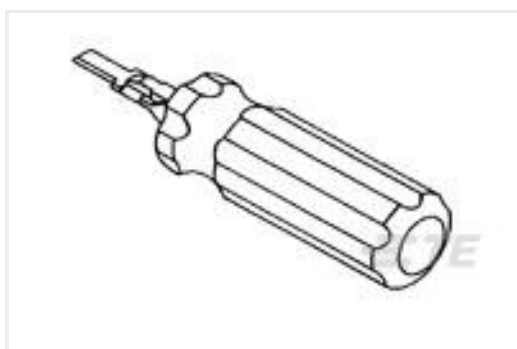
TE Part #8-2176369-4  
RQ 0603 294R 0.1% 10PPM 5K RL



TE Part #2-2176372-9  
RQ 0603 97K6 0.1% 10PPM 5K RL



TE Part #1744036-6  
06P ECONOMY POWER .200 CL HSG



TE Part #465199-1  
EXTRACTION TOOL

## Documents

### Product Drawings

[06P EC PWR.200 CL HDR ASSY RA](#)

English

### CAD Files

[3D PDF](#)

English

**Customer View Model**

[ENG\\_CVM\\_1744048-6\\_O.2d\\_dxf.zip](#)

English

**Customer View Model**

[ENG\\_CVM\\_1744048-6\\_O.3d\\_igs.zip](#)

English

**Customer View Model**

[ENG\\_CVM\\_1744048-6\\_O.3d\\_stp.zip](#)

English

By downloading the CAD file I accept and agree to the [Terms and Conditions](#) of use.

### Datasheets & Catalog Pages



## 1-1773885-9 Economy Power Connectors

English

---

### Product Specifications

#### Application Specification

Japanese

#### Application Specification

English