

1217061-1 ✓ ACTIVE

FASTON | FASTON 187

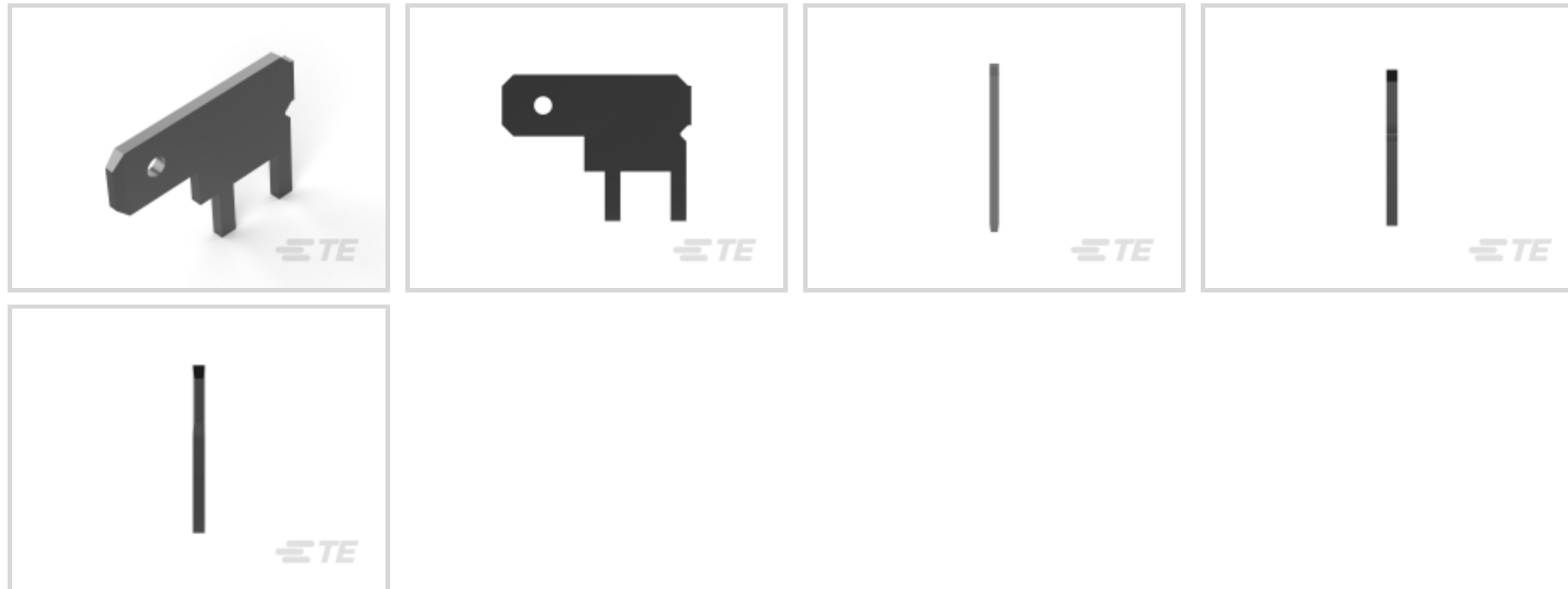
TE Internal #: 1217061-1

Tab, Mating Tab Width 4.75 mm [.187 in], PCB Hole Diameter 1.4 mm [.055 in], Through Hole - Solder, Tin Plating, Nickel, FASTON 187, PCB Terminals

[View on TE.com >](#)



Terminals & Splices > PCB Terminals



PCB Terminal Type: **Tab**

PCB Thickness (Recommended): 1.57 mm [.062 in]

Mating Tab Width: 4.75 mm [.187 in]

Mating Tab Thickness: .8 mm [.031 in]

PCB Hole Diameter: 1.4 mm [.055 in]

## Features

### Industry Standards

Compatible With Agency/Standards Products	UL, CSA
---	---------

### Configuration Features

Connection Capacity	Single
---------------------	--------

### Usage Conditions

Insulation Option	Uninsulated
Operating Temperature Range	-30 – 110 °C[-22 – 230 °F]

### Packaging Features

Packaging Quantity	10000
Packaging Method	Reel

### Dimensions

Extension Below Board	3.81 mm[.15 in]
Terminal Material Thickness	.8 mm[.031 in]
PCB Thickness (Recommended)	1.57 mm[.062 in]



PCB Hole Diameter	1.4 mm[.055 in]
-------------------	-----------------

Profile Height from PCB	7.47 mm[.298 in]
-------------------------	------------------

### Contact Features

PCB Contact Termination Area Plating Material Thickness	3.81 $\mu$ m[150 $\mu$ in]
---	----------------------------

Contact Underplating Material Thickness	1.27 $\mu$ m[50 $\mu$ in]
---	---------------------------

Contact Mating Area Plating Material Thickness	3.81 $\mu$ m[150 $\mu$ in]
--	----------------------------

PCB Terminal Type	Tab
-------------------	-----

Mating Tab Width	4.75 mm[.187 in]
------------------	------------------

Mating Tab Thickness	.8 mm[.031 in]
----------------------	----------------

Terminal Plating Material	Tin
---------------------------	-----

Contact Underplating Material	Nickel
-------------------------------	--------

Terminal Size	4.75
---------------	------

Terminal Orientation	Right Angle
----------------------	-------------

### Termination Features

Termination Method to PCB	Through Hole - Solder
---------------------------	-----------------------

Product Terminates To	Printed Circuit Board
-----------------------	-----------------------

### Mechanical Attachment

Wire Insulation Support	Without
-------------------------	---------

### Other

EU RoHS Compliance	Compliant
--------------------	-----------

EU ELV Compliance	Compliant
-------------------	-----------

### Product Compliance

[For compliance documentation, visit the product page on TE.com>](#)

EU RoHS Directive 2011/65/EU	Compliant
------------------------------	-----------

EU ELV Directive 2000/53/EC	Compliant
-----------------------------	-----------

China RoHS 2 Directive MIIT Order No 32, 2016	No Restricted Materials Above Threshold
---	---

EU REACH Regulation (EC) No. 1907/2006	Current ECHA Candidate List: JUNE 2024 (241) Candidate List Declared Against: JUNE 2024 (241) Does not contain REACH SVHC
--	---

Halogen Content	Low Halogen - Br, Cl, F, I < 900 ppm per homogenous material. Also BFR/CFR/PVC Free
-----------------	---

Solder Process Capability

Wave solder capable to 265°C

Product Compliance Disclaimer

This information is provided based on reasonable inquiry of our suppliers and represents our current actual knowledge based on the information they provided. This information is subject to change. The part numbers that TE has identified as EU RoHS compliant have a maximum concentration of 0.1% by weight in homogenous materials for lead, hexavalent chromium, mercury, PBB, PBDE, DBP, BBP, DEHP, DIBP, and 0.01% for cadmium, or qualify for an exemption to these limits as defined in the Annexes of Directive 2011/65/EU (RoHS2). Finished electrical and electronic equipment products will be CE marked as required by Directive 2011/65/EU. Components may not be CE marked. Additionally, the part numbers that TE has identified as EU ELV compliant have a maximum concentration of 0.1% by weight in homogenous materials for lead, hexavalent chromium, and mercury, and 0.01% for cadmium, or qualify for an exemption to these limits as defined in the Annexes of Directive 2000/53/EC (ELV). Regarding the REACH Regulation, the information TE provides on SVHC in articles for this part number is based on the latest European Chemicals Agency (ECHA) 'Guidance on requirements for substances in articles' posted at this URL: <https://echa.europa.eu/guidance-documents/guidance-on-reach>

Compatible Parts



TE Part # 1217332-1  
187 FASTON,PCB TAB,TCBR



TE Part # 63860-1  
187 FASTON TAB TPBR



TE Part # 63951-1  
250 FASTON TAB TPBR



TE Part # 62221-1  
187 FASTON TAB TPBR



TE Part # 63949-1  
250 FASTON TAB TPBR



TE Part # 63950-1  
250 FASTON TAB TPBR



TE Part # 63951-4  
250 FASTON TAB TPBR



TE Part # 1217062-1  
187 FASTON,FLAG,PCB TAB,TNBR



TE Part # 63952-1  
250 FASTON TAB TPBR



TE Part # 63860-2  
187 FASTON TAB TPBR



TE Part # 63951-8  
250 FASTON TAB TPBR



TE Part # 1217089-1  
110 FASTON,PCB TAB,TNBR

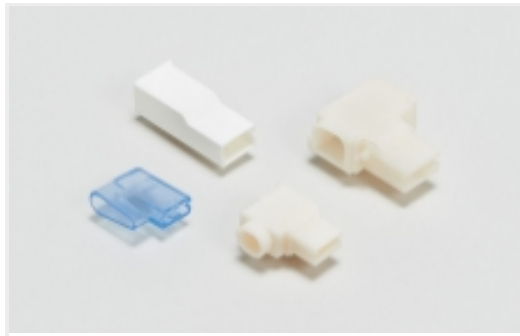


TE Part # 1217124-3  
187 FASTON,PCB TAB,TNBR

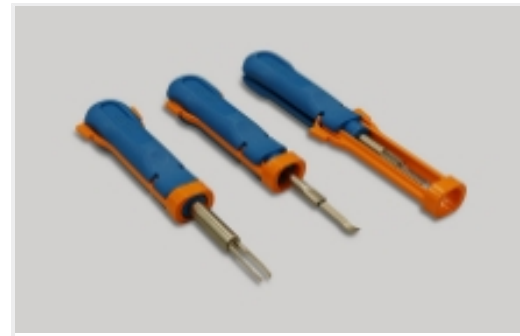


TE Part # 63950-6  
FASTON 250 PCB TAB BR

### Also in the Series | FASTON 187



Crimp Terminal Housings(41)



Insertion & Extraction Tools(1)



Joints & Splices(1)



PCB Terminals(42)

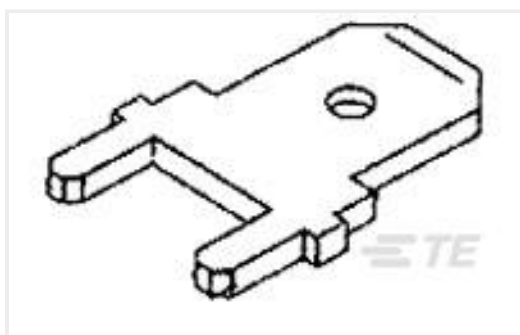


Quick Disconnects(207)

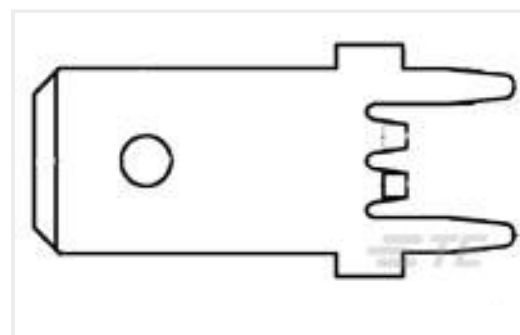


Splices(1)

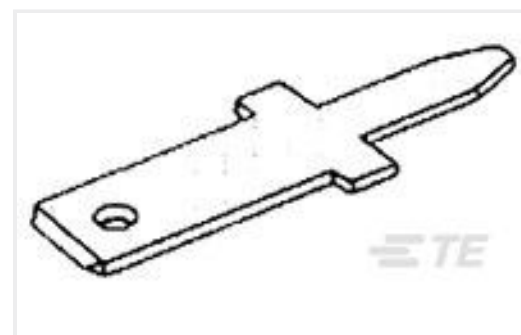
### Customers Also Bought



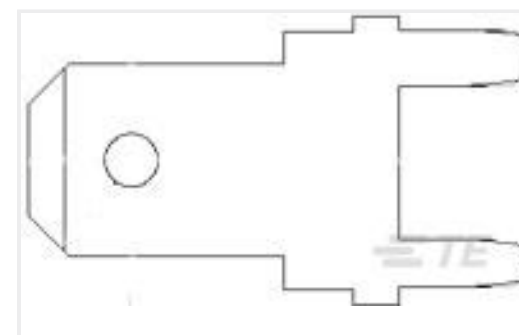
TE Part #63525-1  
187 FASTON TAB TPBR



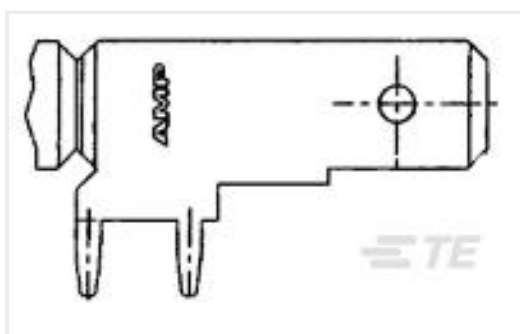
TE Part #1217169-1  
250 FASTON,PCB TAB,TCBR



TE Part #62395-1  
110 FASTON TAB TPBR



TE Part #1217057-1  
187 FASTON,PCB TAB,TPBR



TE Part #63951-1  
250 FASTON TAB TPBR



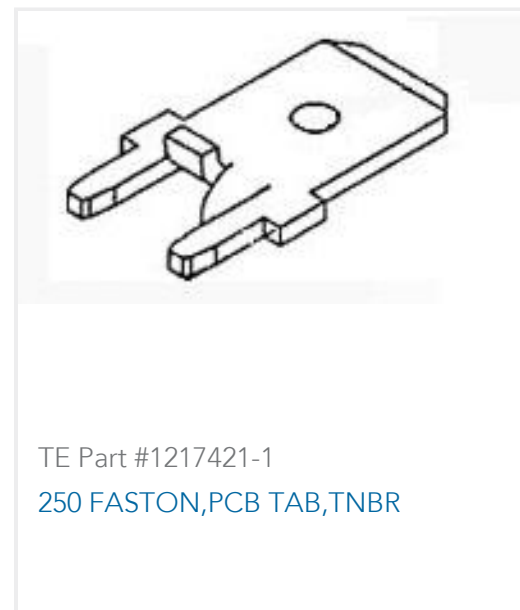
TE Part #5-534206-1  
02 MODII VRT DR CE 100/115



TE Part #5-534237-4  
06 MODII VRT SR CE 100/115



TE Part #2081956-1  
RF SWITCH



## Documents

### Product Drawings

[187 FASTON,FLAG,TAB,TNBR](#)

English

### CAD Files

[3D PDF](#)

3D

Customer View Model

[ENG\\_CVM\\_CVM\\_1217061-1\\_G.2d\\_dxf.zip](#)

English

Customer View Model

[ENG\\_CVM\\_CVM\\_1217061-1\\_G.3d\\_igs.zip](#)

English

Customer View Model

[ENG\\_CVM\\_CVM\\_1217061-1\\_G.3d\\_stp.zip](#)

English

By downloading the CAD file I accept and agree to the [Terms and Conditions](#) of use.

### Datasheets & Catalog Pages

[FASTON PCB Tabs and Receptacles](#)

English

[PRINTED CIRCUIT BOARD TERMINALS AND DISCONNECTS](#)

English

### Product Specifications

[Application Specification](#)

English

### Agency Approvals

[CSA Certificate](#)

English

[CSA Certificate](#)

English