

5-103168-9 ✓ ACTIVE

AMPMODU | AMPMODU Headers

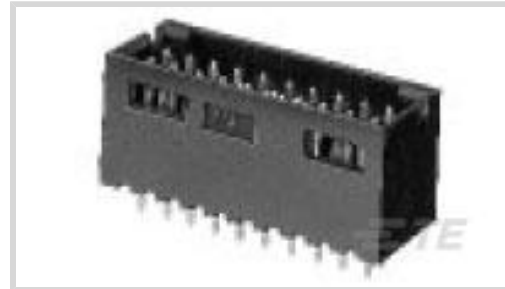
TE Internal #: 5-103168-9

PCB Mount Header, Vertical, Board-to-Board, 22 Position, 2.54 mm
[.1 in] Centerline, Fully Shrouded, Gold, Through Hole - Solder,
AMPMODU Headers

[View on TE.com >](#)



Connectors > PCB Connectors > PCB Headers & Receptacles



EU RoHS Compliance: **Compliant**

EU ELV Compliance: **Compliant**

PCB Connector Assembly Type: **PCB Mount Header**

PCB Mount Orientation: **Vertical**

Connector System: **Board-to-Board**

Features

Other

EU RoHS Compliance Compliant

EU ELV Compliance Compliant

Product Type Features

PCB Connector Assembly Type PCB Mount Header

Connector System Board-to-Board

Header Type Fully Shrouded

Connector & Contact Terminates To Printed Circuit Board

Configuration Features

Connector Contact Load Condition Fully Loaded

Board-to-Board Configuration Parallel

PCB Mount Orientation Vertical

Number of Positions 22

Number of Rows 2

Electrical Characteristics

Insulation Resistance 5000 MΩ

Dielectric Withstanding Voltage (Max) 750 Vrms

Body Features

Connector Profile Standard



Primary Product Color	Black
-----------------------	-------

Contact Features

Contact Underplating Material	Nickel
Contact Mating Area Plating Material Thickness	.762 μm[30 μin]
Mating Square Post Dimension	.64 mm[.025 in]
Contact Shape & Form	Square
PCB Contact Termination Area Plating Material Thickness	2.54 – 5.08 μm[100 – 200 μin]
Contact Base Material	Phosphor Bronze
PCB Contact Termination Area Plating Material	Tin
Contact Mating Area Plating Material	Gold
Contact Type	Pin
Contact Current Rating (Max)	3 A

Termination Features

Termination Post & Tail Length	3.18 mm[.125 in]
Square Termination Post & Tail Dimension	.64 mm[.025 in]
Termination Method to PCB	Through Hole - Solder

Mechanical Attachment

Mating Retention Type	Detent Window
Mating Retention	With
Mating Alignment Type	Polarization
PCB Mount Retention	Without
PCB Mount Alignment	Without
Connector Mounting Type	Board Mount
Mating Alignment	With

Housing Features

Housing Material	Thermoplastic
Centerline (Pitch)	2.54 mm[.1 in]

Dimensions

Row-to-Row Spacing	2.54 mm[.1 in]
PCB Thickness (Recommended)	1.4 mm[.055 in]

Usage Conditions

Housing Temperature Rating	Standard
----------------------------	----------



Operating Temperature Range -65 – 105 °C[-85 – 221 °F]

Operation/Application

Circuit Application Signal

Industry Standards

Compatible With Agency/Standards Products CSA

Compatible With Approved Standards Products UL E28476, CSA LR7189

UL Flammability Rating UL 94V-0

Packaging Features

Packaging Quantity 160

Packaging Method Tray

Product Compliance

[For compliance documentation, visit the product page on TE.com>](#)

EU RoHS Directive 2011/65/EU Compliant

EU ELV Directive 2000/53/EC Compliant

China RoHS 2 Directive MIIT Order No 32, 2016 No Restricted Materials Above Threshold

EU REACH Regulation (EC) No. 1907/2006
 Current ECHA Candidate List: JUNE 2024 (241)
 Candidate List Declared Against: JUNE 2024 (241)
 Does not contain REACH SVHC

Halogen Content BFR/CFR/PVC Free, but Br/Cl >900 ppm in other sources.

Solder Process Capability Wave solder capable to 240°C

Product Compliance Disclaimer

This information is provided based on reasonable inquiry of our suppliers and represents our current actual knowledge based on the information they provided. This information is subject to change. The part numbers that TE has identified as EU RoHS compliant have a maximum concentration of 0.1% by weight in homogenous materials for lead, hexavalent chromium, mercury, PBB, PBDE, DBP, BBP, DEHP, DIBP, and 0.01% for cadmium, or qualify for an exemption to these limits as defined in the Annexes of Directive 2011/65/EU (RoHS2). Finished electrical and electronic equipment products will be CE marked as required by Directive 2011/65/EU. Components may not be CE marked. Additionally, the part numbers that TE has identified as EU ELV compliant have a maximum concentration of 0.1% by weight in homogenous materials for lead, hexavalent chromium, and mercury, and 0.01% for cadmium, or qualify for an exemption to these limits as defined in the Annexes of Directive 2000/53/EC (ELV). Regarding the REACH Regulation, the information TE provides on SVHC in articles for this part number is based on the latest European Chemicals Agency (ECHA) 'Guidance on requirements for substances in articles' posted at this URL: <https://echa.europa.eu/guidance-documents/guidance-on-reach>


Compatible Parts




TE Part # 1-87456-7
22 MODIV HSG COMP DR .100CL




TE Part # 102394-9
22 AMP MODU MT HSG DR .100CL



TE Part # 3-87977-6
22 MODIV HSG COMP DR .100 POL

Also in the Series | **AMPMODU Headers**




Connector Contacts(52)



Connector Hardware(1)



PCB Headers & Receptacles(1618)



Wire-to-Board Connector Assemblies & Housings(5)

Customers Also Bought



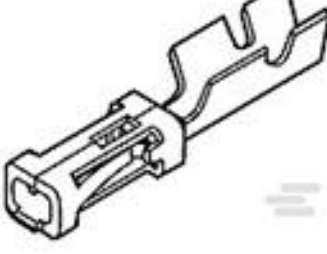
TE Part #1-5177986-5
0.8FH,P06H.5,120,08/Sn,TR,SC



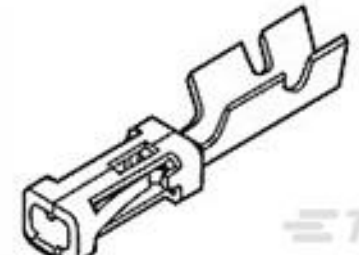
TE Part #1-87631-6
20 MODIV HSG DR MRKD .100 POL



TE Part #1410946-1
MULTI-GIG SOC. CAP SCREW, CUSTOMIZED HDW



TE Part #87523-6
MOD IV RECP LP



TE Part #86016-1
MOD IV RECP LP



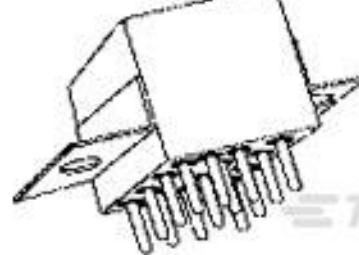
TE Part #4-1393247-2
W31-X2M1G-5=W23/W31



TE Part #CONREVSMA002-G
RP-SMA RA Jack 50 Ohm PCB Through Hole



TE Part #CSJ-RGFB-200-MHF4
RP-SMA to MHF4 200mm 0.81 OD



TE Part #7-1617760-7
FCB-405-0617M=M83536/6-017M



TE Part #044639-E
STVSKO H F 181 GERA 40A * EP01 3,50 * FD



Documents

Product Drawings

[22 MODII HDR DRST SHRD .100CL](#)

English

CAD Files

[3D PDF](#)

3D

Customer View Model

[ENG_CVM_CVM_5-103168-9_M.2d_dxf.zip](#)

English

Customer View Model

[ENG_CVM_CVM_5-103168-9_M.3d_igs.zip](#)

English

Customer View Model

[ENG_CVM_CVM_5-103168-9_M.3d_stp.zip](#)

English

By downloading the CAD file I accept and agree to the [Terms and Conditions](#) of use.

Datasheets & Catalog Pages

[AMPMODU_INTERCONNECTION_SYSTEM_SECTION5](#)

English