

1-111382-9 ✓ ACTIVE



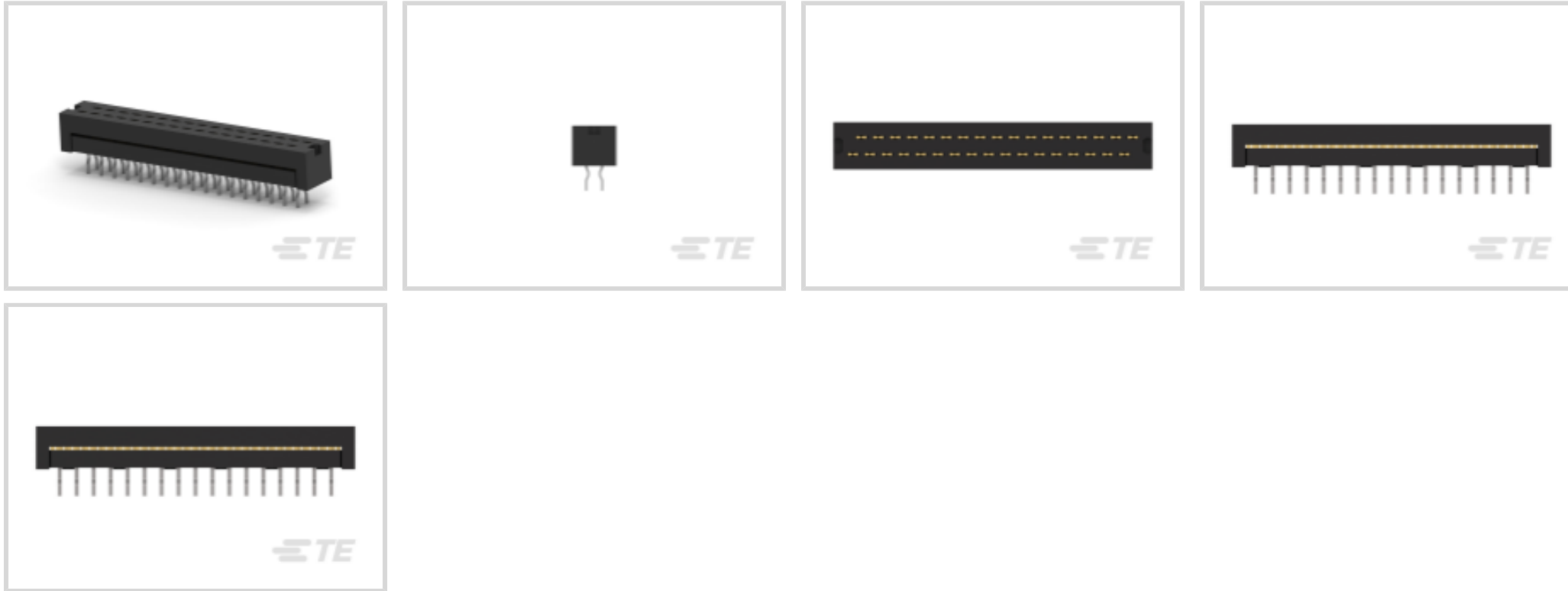
AMP-LATCH

TE Internal #: 1-111382-9

Wire-to-Board, 34 Position, 2.54 mm [.1 in] Centerline, Vertical, Through Hole - Solder, 2 Row, Plug, Low Profile, Ribbon Cable Connectors

[View on TE.com >](#)

Connectors > PCB Connectors > Wire-to-Board Connectors > FFC, FPC & Ribbon Connectors > Ribbon Cable Connectors



Connector System: **Wire-to-Board**

Number of Positions: **34**

Centerline (Pitch): **2.54 mm [.1 in]**

PCB Mount Retention: **With**

PCB Mount Retention Type: **Kinked Legs**

Features

Product Type Features

Connector System	Wire-to-Board
Connector & Housing Type	Plug
Connector & Contact Terminates To	Printed Circuit Board, Wire & Cable
Connector Product Type	Connector Assembly
Ribbon Cable Connector Header Type	Shrouded

Configuration Features

Number of Positions	34
PCB Mount Orientation	Vertical
Number of Rows	2

Housing Features

Centerline (Pitch)	2.54 mm[.1 in]
--------------------	----------------

Mechanical Attachment

PCB Mount Retention	With
PCB Mount Retention Type	Kinked Legs



Mating Retention	Without
Connector Mounting Type	Board Mount
Panel Mount Feature	Without
Mating Alignment	Without
PCB Mount Alignment	Without

Termination Features

Termination Method to PCB	Through Hole - Solder
Rectangular Termination Post & Tail Width	.5 mm[.019 in]
Rectangular Termination Post & Tail Thickness	.32 mm[.013 in]
Termination Method to Wire & Cable	Insulation Displacement (IDC)
Termination Post & Tail Length	3.96 mm[.156 in]

Dimensions

Row-to-Row Spacing	2 mm[.1 in]
Compatible Insulation Diameter Range	.81 – 1.07 mm[.032 – .042 in]
Connector Width	7.06 mm[.278 in]
Wire Size	30 – 26 AWG
PCB Thickness (Recommended)	1.57 – 2.36 mm[.062 – .093 in]
Connector Height	6.43 mm[.253 in]
Connector Length	47.75 mm[1.88 in]

Body Features

Connector Profile	Low
Daisy Chain	Without
Primary Product Color	Black

Contact Features

Contact Current Rating (Max)	1 A
PCB Contact Termination Area Plating Material Finish	Matte
Contact Mating Area Plating Material Thickness	2.54 μ m[100 μ in]
Wire Contact Termination Area Plating Material	Gold
Contact Shape & Form	Tuning Fork
PCB Contact Termination Area Plating Material Thickness	2.54 – 5.08 μ m[100 – 200 μ in]
Contact Layout	Inline
Contact Base Material	Phosphor Bronze



PCB Contact Termination Area Plating Material	Tin
Wire Contact Termination Area Plating Thickness	.127 μm [5 μin]
Contact Type	Pin

Operation/Application

Circuit Application	Signal
Solder Process Feature	Board Standoff

Usage Conditions

Operating Temperature Range	-65 – 105 $^{\circ}\text{C}$ [-85 – 221 $^{\circ}\text{F}$]
-----------------------------	--

Other

EU RoHS Compliance	Compliant
EU ELV Compliance	Compliant

Electrical Characteristics

Operating Voltage	250 VAC
Insulation Resistance	5000 M Ω

Industry Standards

Compatible With Agency/Standards Products	UL, CSA
UL Rating	Recognized
UL Flammability Rating	UL 94V-0
Compatible With Approved Standards Products	UL E28476, CSA LR7189

Packaging Features

Packaging Quantity	50
Packaging Method	Tube, Box & Tube

Product Compliance

[For compliance documentation, visit the product page on TE.com>](#)

EU RoHS Directive 2011/65/EU	Compliant
EU ELV Directive 2000/53/EC	Compliant
China RoHS 2 Directive MIIT Order No 32, 2016	No Restricted Materials Above Threshold
EU REACH Regulation (EC) No. 1907/2006	Current ECHA Candidate List: JUNE 2024 (241) Candidate List Declared Against: JUNE 2024 (241) Does not contain REACH SVHC



Halogen Content Not Low Halogen - contains Br or Cl > 900 ppm.

Solder Process Capability Wave solder capable to 265°C

Product Compliance Disclaimer

This information is provided based on reasonable inquiry of our suppliers and represents our current actual knowledge based on the information they provided. This information is subject to change. The part numbers that TE has identified as EU RoHS compliant have a maximum concentration of 0.1% by weight in homogenous materials for lead, hexavalent chromium, mercury, PBB, PBDE, DBP, BBP, DEHP, DIBP, and 0.01% for cadmium, or qualify for an exemption to these limits as defined in the Annexes of Directive 2011/65/EU (RoHS2). Finished electrical and electronic equipment products will be CE marked as required by Directive 2011/65/EU. Components may not be CE marked. Additionally, the part numbers that TE has identified as EU ELV compliant have a maximum concentration of 0.1% by weight in homogenous materials for lead, hexavalent chromium, and mercury, and 0.01% for cadmium, or qualify for an exemption to these limits as defined in the Annexes of Directive 2000/53/EC (ELV). Regarding the REACH Regulation, the information TE provides on SVHC in articles for this part number is based on the latest European Chemicals Agency (ECHA) 'Guidance on requirements for substances in articles' posted at this URL: <https://echa.europa.eu/guidance-documents/guidance-on-reach>

Compatible Parts

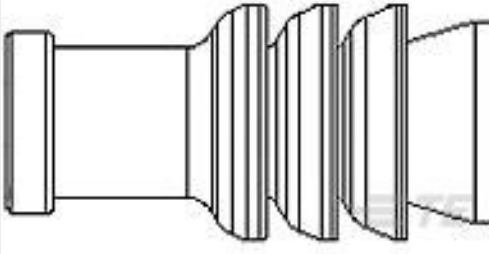


TE Part # 1658525-2
622-3453LF, PCB IDC, LEAD FREE

Customers Also Bought



TE Part #1-640250-2
12P SL156 HSG W/LCK RAMP NATL



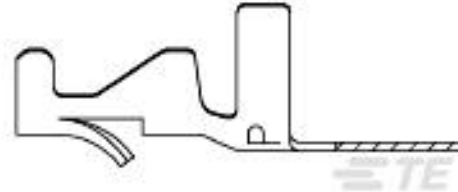
TE Part #967067-1
MQS SGL WIRE SEAL



TE Part #5-965906-6
MQS0,63 Ag rec LL EDS 0,5-0,75



TE Part #165008
PLASTI-GRIP, SPADE 22-16 8



TE Part #3-640311-1
MINI AMP-IN 22-18 AWG .008PTPPHBZ



TE Part #1719043-1
SINGLE WIRE SEAL, GREEN



TE Part #170213-2
250 FASTON, REC., 18-14 AWG, TPBR



TE Part #193534-1
PIN ASSY, POWER, 12-14 AWG



Documents

Product Drawings

[034 DIP PLUG 100CL TIN KK](#)

English

CAD Files

[3D PDF](#)

3D

Customer View Model

[ENG_CVM_CVM_1-111382-9_N.2d_dxf.zip](#)

English

Customer View Model

[ENG_CVM_CVM_1-111382-9_N.3d_igs.zip](#)

English

Customer View Model

[ENG_CVM_CVM_1-111382-9_N.3d_stp.zip](#)

English

By downloading the CAD file I accept and agree to the [Terms and Conditions](#) of use.

Datasheets & Catalog Pages

[Ribbon Cable Interconnect Solutions](#)

English

Product Specifications

[Application Specification](#)

English

Instruction Sheets

[Instruction Sheet \(U.S.\)](#)

English