

1SNK900607R0000 ✓ ACTIVE

ENTRELEC | ENTRELEC HTP600

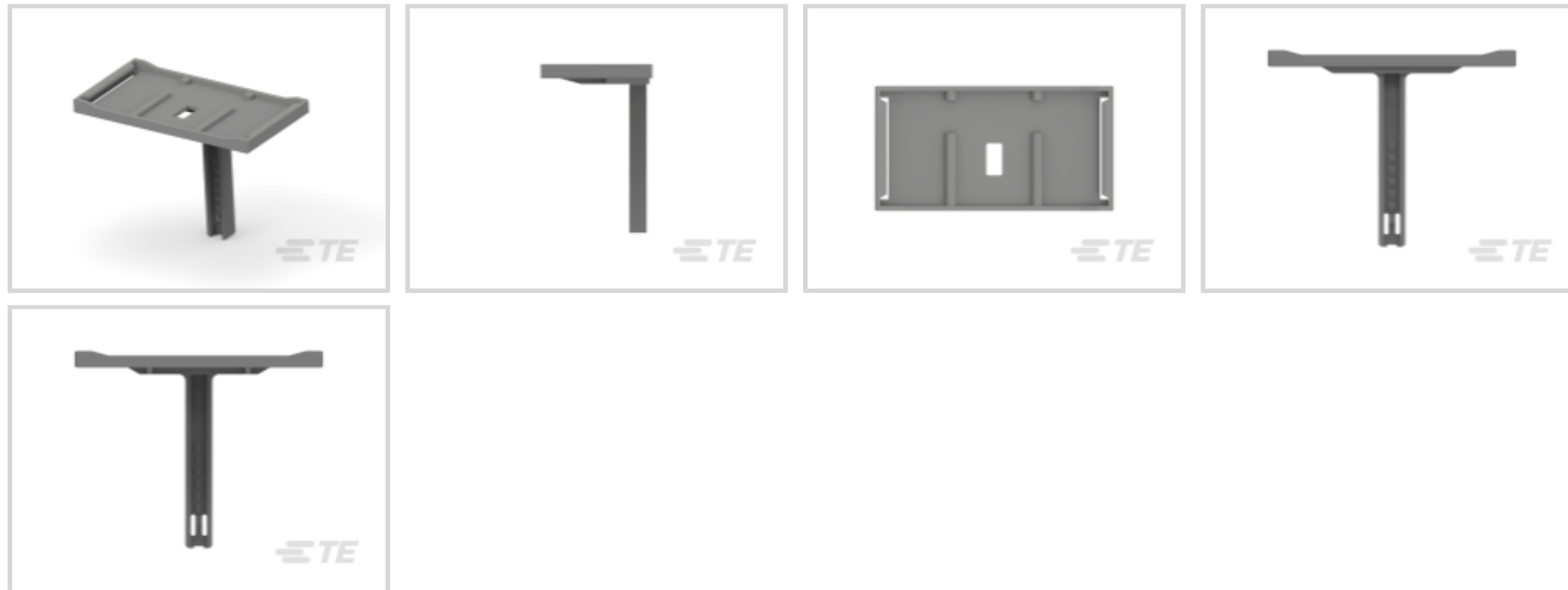
TE Internal #: 1SNK900607R0000

Label Holder, Dark Gray, -55 – 110 °C [-67 – 230 °F], UL 94V-0,  
ENTRELEC HTP600, Terminal Block & Strip Marking Accessories

[View on TE.com >](#)



Connectors > Terminal Blocks & Strips > Terminal Block & Strip Accessories > Terminal Block & Strip Marking Accessories



Marking Product Type: **Label Holder**

Primary Product Color: **Dark Gray**

Operating Temperature Range: **-55 – 110 °C [-67 – 230 °F]**

UL Flammability Rating: **UL 94V-0**

EU RoHS Compliance: **Compliant**

## Features

### Product Type Features

Marking Product Type	Label Holder
----------------------	--------------

### Body Features

Primary Product Color	Dark Gray
Product Weight	1.1 g[.038 oz]
Primary Product Material	Polyamide

### Usage Conditions

Operating Temperature Range	-55 – 110 °C[-67 – 230 °F]
Installation Temperature Range	-5 – 40 °C[23 – 104 °F]

### Industry Standards

UL Flammability Rating	UL 94V-0
------------------------	----------

### Other

EU RoHS Compliance	Compliant
EU ELV Compliance	Compliant

### Dimensions



Product Width	19.5 mm[.768 in]
Product Depth	29.5 mm
Product Length	35.65 mm[1.4 in]
Product Height	37.25 mm[.7 in]

### Product Compliance

[For compliance documentation, visit the product page on TE.com>](#)

EU RoHS Directive 2011/65/EU	Compliant
EU ELV Directive 2000/53/EC	Compliant
China RoHS 2 Directive MIIT Order No 32, 2016	No Restricted Materials Above Threshold
EU REACH Regulation (EC) No. 1907/2006	Current ECHA Candidate List: JUNE 2024 (241) Candidate List Declared Against: JUNE 2024 (241) Does not contain REACH SVHC
Halogen Content	Low Halogen - Br, Cl, F, I < 900 ppm per homogenous material. Also BFR/CFR/PVC Free
Solder Process Capability	Not reviewed for solder process capability

#### Product Compliance Disclaimer

This information is provided based on reasonable inquiry of our suppliers and represents our current actual knowledge based on the information they provided. This information is subject to change. The part numbers that TE has identified as EU RoHS compliant have a maximum concentration of 0.1% by weight in homogenous materials for lead, hexavalent chromium, mercury, PBB, PBDE, DBP, BBP, DEHP, DIBP, and 0.01% for cadmium, or qualify for an exemption to these limits as defined in the Annexes of Directive 2011/65/EU (RoHS2). Finished electrical and electronic equipment products will be CE marked as required by Directive 2011/65/EU. Components may not be CE marked. Additionally, the part numbers that TE has identified as EU ELV compliant have a maximum concentration of 0.1% by weight in homogenous materials for lead, hexavalent chromium, and mercury, and 0.01% for cadmium, or qualify for an exemption to these limits as defined in the Annexes of Directive 2000/53/EC (ELV). Regarding the REACH Regulation, the information TE provides on SVHC in articles for this part number is based on the latest European Chemicals Agency (ECHA) 'Guidance on requirements for substances in articles' posted at this URL: <https://echa.europa.eu/guidance-documents/guidance-on-reach>

### Compatible Parts

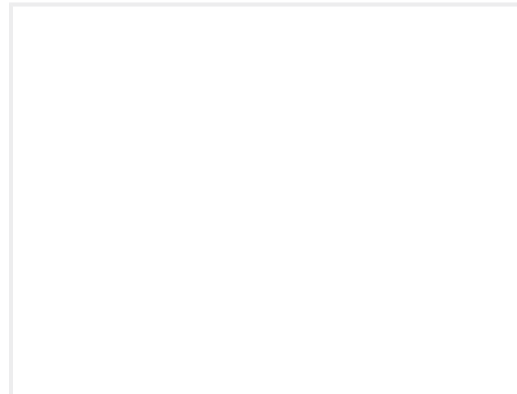




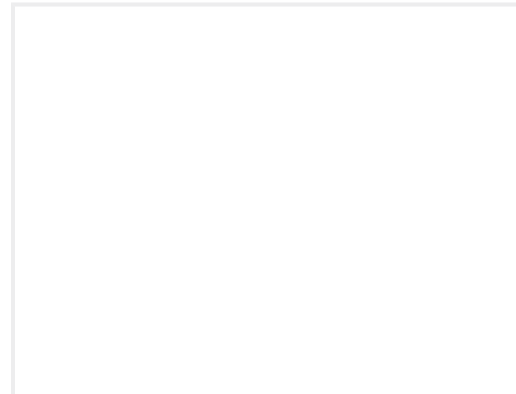
TE Part # 1SNA235155R2600  
PIB2-TT



TE Part # 1SNK900102R0000  
BAZH1



TE Part # 1SNA178430R0500  
CARTE 54 RCPEB



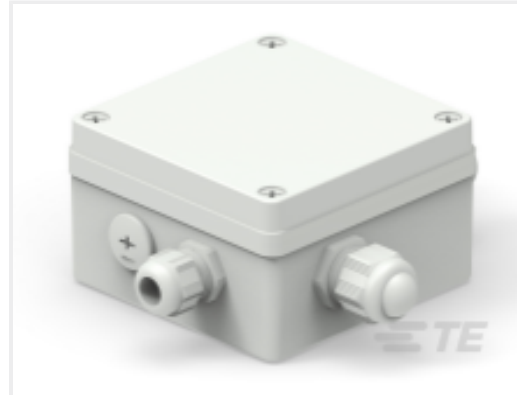
TE Part # 1SNA178431R2200  
EPR1



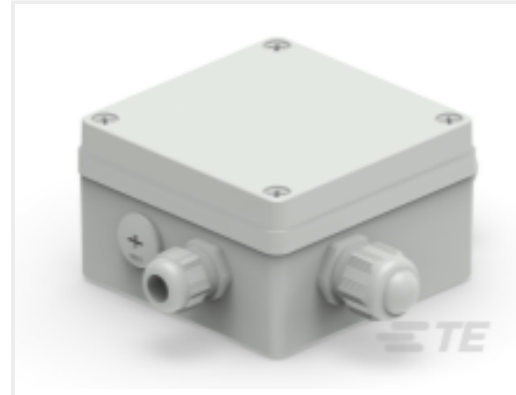
TE Part # 1SNS470000Z0206  
JBox 6PNT Spring



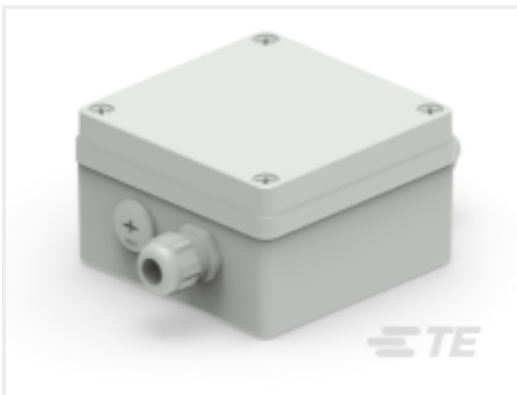
TE Part # 1SNS470000Z0207  
JBox 6PNT Screw



TE Part # 1SNS470000Z0208  
JBox 12PNT Spring



TE Part # 1SNS470000Z0209  
JBox 12PNT Screw

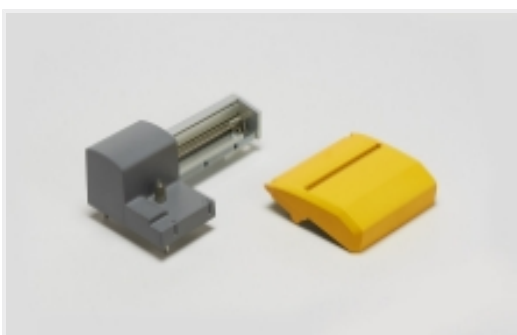


TE Part # 1SNS470000Z0210  
JBox Motor Spring



TE Part # 1SNS470000Z0211  
JBox Motor Screw

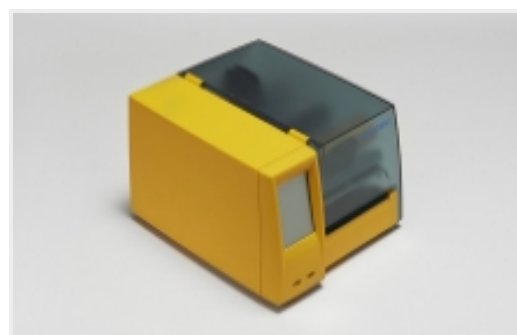
## Also in the Series | ENTRELEC HTP600



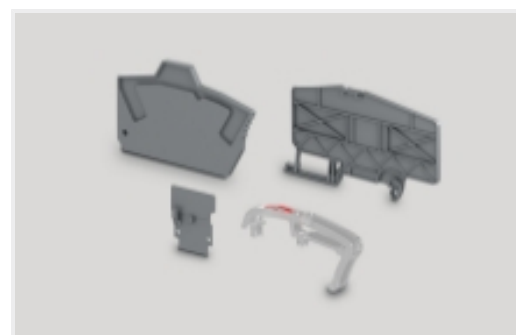
Printer Accessories(13)



Printer Ribbons(4)



Printers(1)

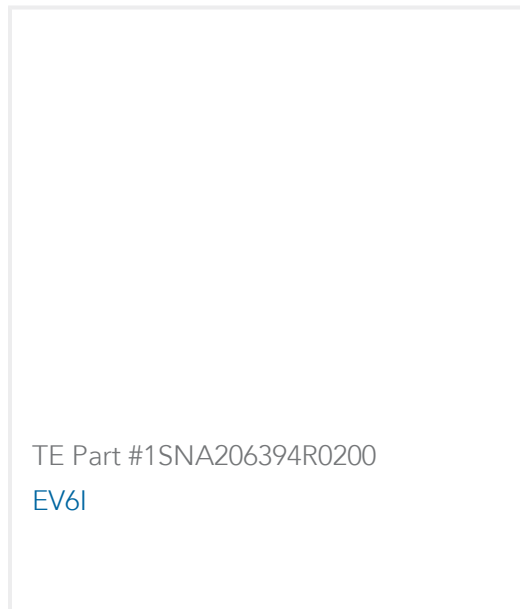
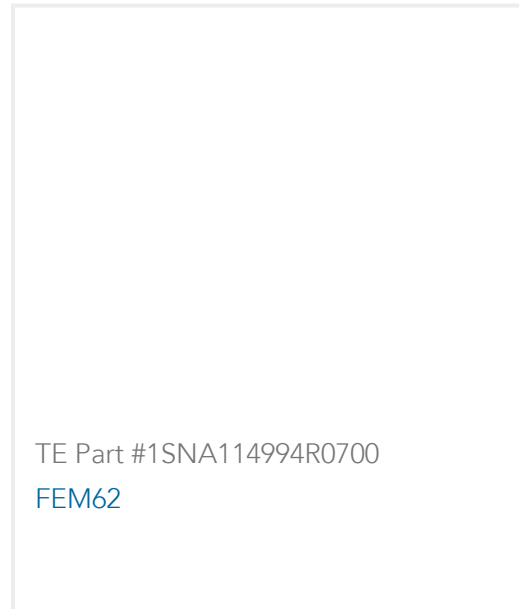
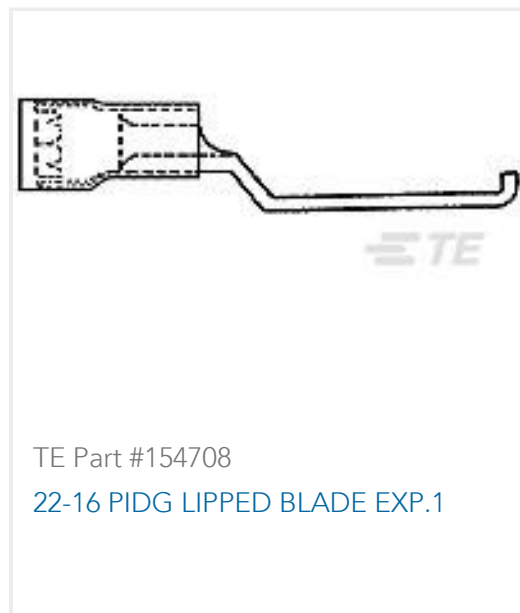


Terminal Block & Strip Insulating  
Accessories(3)



Terminal Block & Strip Marking  
Accessories(113)

## Customers Also Bought



## Documents

### CAD Files

3D PDF

3D

Customer View Model

[ENG\\_CVM\\_CVM\\_1SNK900607R0000\\_C.2d\\_dxf.zip](#)

English

Customer View Model

[ENG\\_CVM\\_CVM\\_1SNK900607R0000\\_C.3d\\_igs.zip](#)

English

Customer View Model

[ENG\\_CVM\\_CVM\\_1SNK900607R0000\\_C.3d\\_stp.zip](#)

English

By downloading the CAD file I accept and agree to the [Terms and Conditions](#) of use.

### Datasheets & Catalog Pages

LH-R1

English

[SNK SERIES TERMINAL BLOCKS](#)

English

1SNK900607R0000

Label Holder, Dark Gray, -55 – 110 °C [-67 – 230 °F], UL 94V-0, ENTRELEC HTP600,  
Terminal Block & Strip Marking Accessories



## ENTRELEC Terminal Blocks Catalogue (RUS)