

170072-1 ✓ ACTIVE

AMP-IN

TE Internal #: 170072-1

Receptacle, PCB Hole Diameter 1.83 mm [.072 in], 24 – 20 AWG

Wire Size, .2 – .6 mm<sup>2</sup> Wire Size, Through Hole - Solder, Pre-Tin

Plating, PCB Terminals

[View on TE.com >](#)



Terminals & Splices > PCB Terminals



PCB Terminal Type: **Receptacle**

PCB Thickness (Recommended): **1.6 mm [.063 in]**

PCB Hole Diameter: **1.83 mm [.072 in]**

Profile Height from PCB: **6.8 mm [.271 in]**

Compatible Insulation Diameter (Max): **2.79 mm [.11 in]**

### Features

#### Product Type Features

Terminal Features	Stud Hole
-------------------	-----------

#### Usage Conditions

Insulation Option	Uninsulated
Operating Temperature Range	-30 – 105 °C[-22 – 221 °F]

#### Packaging Features

Packaging Quantity	7000
Packaging Method	Reel

#### Dimensions

Extension Below Board	3.6 mm[.141 in]
PCB Thickness (Recommended)	1.6 mm[.063 in]
PCB Hole Diameter	1.83 mm[.072 in]
Profile Height from PCB	6.8 mm[.271 in]
Compatible Insulation Diameter (Max)	2.79 mm[.11 in]
Compatible Insulation Diameter Range	1.52 – 2.79 mm[.06 – .11 in]



Wire Size	.2 – .6 mm <sup>2</sup>
-----------	-------------------------

### Contact Features

Contact Underplating Material Thickness	.5 μm[19.68 μin]
Contact Mating Area Plating Material Thickness	.8 μm[31.5 μin]
PCB Terminal Type	Receptacle
Terminal Plating Material	Pre-Tin
Contact Underplating Material	Copper
Terminal Size	Standard
Terminal Orientation	Straight

### Termination Features

Termination Method to PCB	Through Hole - Solder
Product Terminates To	Printed Circuit Board

### Mechanical Attachment

Wire Insulation Support	With
-------------------------	------

### Other

EU RoHS Compliance	Compliant
EU ELV Compliance	Compliant

### Product Compliance

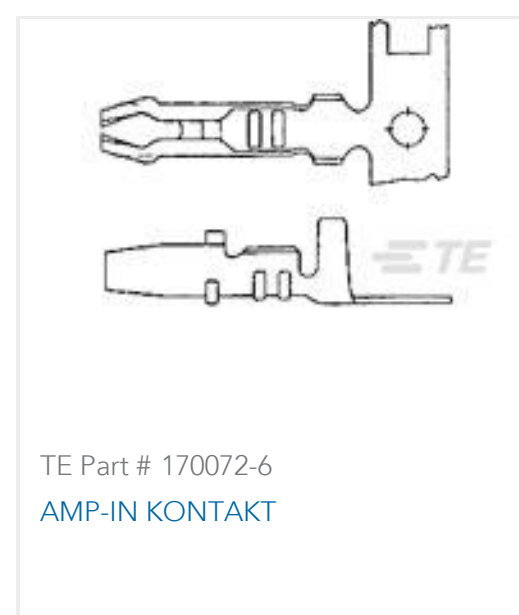
[For compliance documentation, visit the product page on TE.com>](#)

EU RoHS Directive 2011/65/EU	Compliant
EU ELV Directive 2000/53/EC	Compliant
China RoHS 2 Directive MIIT Order No 32, 2016	No Restricted Materials Above Threshold
EU REACH Regulation (EC) No. 1907/2006	Current ECHA Candidate List: JUNE 2024 (241) Candidate List Declared Against: JUNE 2024 (241) Does not contain REACH SVHC
Halogen Content	Low Halogen - Br, Cl, F, I < 900 ppm per homogenous material. Also BFR/CFR/PVC Free
Solder Process Capability	Wave solder capable to 240°C

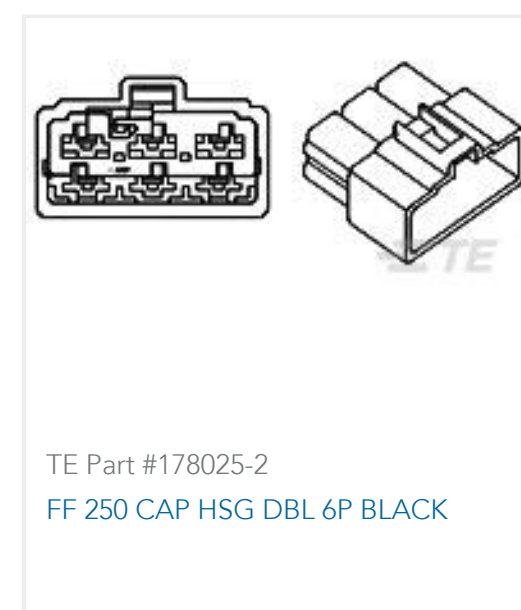
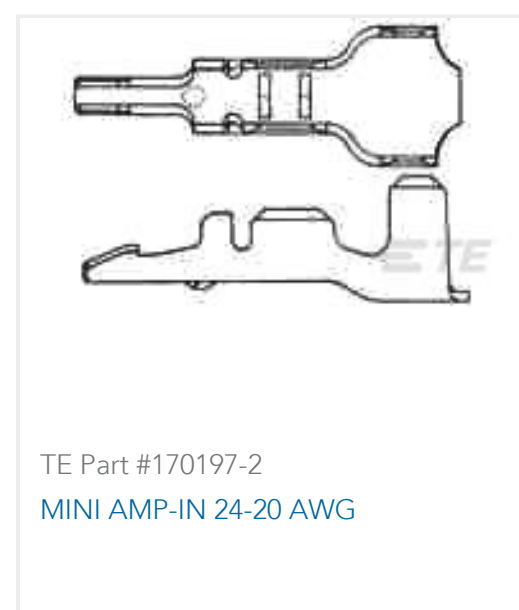
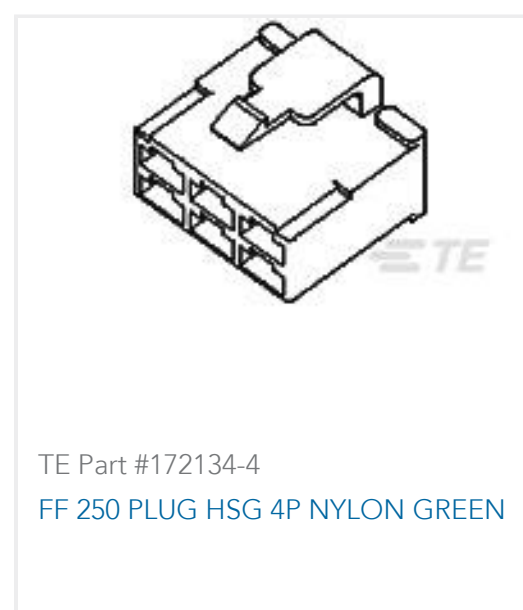
Product Compliance Disclaimer

This information is provided based on reasonable inquiry of our suppliers and represents our current actual knowledge based on the information they provided. This information is subject to change. The part numbers that TE has identified as EU RoHS compliant have a maximum concentration of 0.1% by weight in homogenous materials for lead, hexavalent chromium, mercury, PBB, PBDE, DBP, BBP, DEHP, DIBP, and 0.01% for cadmium, or qualify for an exemption to these limits as defined in the Annexes of Directive 2011/65/EU (RoHS2). Finished electrical and electronic equipment products will be CE marked as required by Directive 2011/65/EU. Components may not be CE marked. Additionally, the part numbers that TE has identified as EU ELV compliant have a maximum concentration of 0.1% by weight in homogenous materials for lead, hexavalent chromium, and mercury, and 0.01% for cadmium, or qualify for an exemption to these limits as defined in the Annexes of Directive 2000/53/EC (ELV). Regarding the REACH Regulation, the information TE provides on SVHC in articles for this part number is based on the latest European Chemicals Agency (ECHA) 'Guidance on requirements for substances in articles' posted at this URL: <https://echa.europa.eu/guidance-documents/guidance-on-reach>

## Compatible Parts



## Customers Also Bought





## Documents

### Product Drawings

[AMP-IN 24-20 AWG](#)

English

### CAD Files

[3D PDF](#)

3D

Customer View Model

[ENG\\_CVM\\_CVM\\_170072-1\\_V.2d\\_dxf.zip](#)

English

Customer View Model

[ENG\\_CVM\\_CVM\\_170072-1\\_V.3d\\_igs.zip](#)

English

Customer View Model

[ENG\\_CVM\\_CVM\\_170072-1\\_V.3d\\_stp.zip](#)

English

[3D PDF](#)

English

Customer View Model

[ENG\\_CVM\\_170072-1\\_L1.2d\\_dxf.zip](#)

English

Customer View Model

[ENG\\_CVM\\_170072-1\\_L1.3d\\_igs.zip](#)

English

Customer View Model

[ENG\\_CVM\\_170072-1\\_L1.3d\\_stp.zip](#)

English

By downloading the CAD file I accept and agree to the [Terms and Conditions](#) of use.

### Product Specifications

[Application Specification](#)

English

[Crimping AMP-IN Terminals](#)

English

170072-1

Receptacle, PCB Hole Diameter 1.83 mm [.072 in], 24 – 20 AWG Wire Size, .2 – .6 mm<sup>2</sup>  
Wire Size, Through Hole - Solder, Pre-Tin Plating, PCB Terminals

