

2-174357-2 ✓ ACTIVE

Econoseal

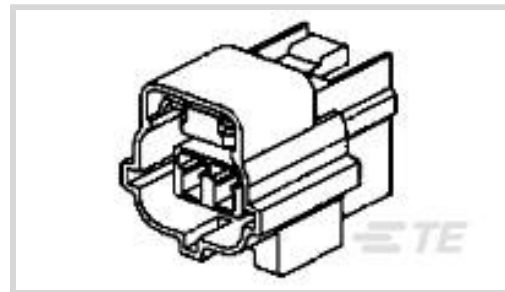
TE Internal #: 2-174357-2

Housing for Female Terminals, Wire-to-Wire, 3 Position, 4.8 mm [.189 in] Centerline, Sealable, Black, Signal, Cable Mount (Free-Hanging)

[View on TE.com >](#)



Connectors > Automotive Connectors > Automotive Housings > ECONOSEAL, CONNECTOR HOUSING



Connector System: **Wire-to-Wire**

Number of Positions: **3**

Connector & Housing Type: **Housing for Female Terminals**

Centerline (Pitch): **4.8 mm [.189 in]**

Sealable: **Yes**

[All ECONOSEAL, CONNECTOR HOUSING \(59\)](#)

Features

Product Type Features

Connector System	Wire-to-Wire
Connector & Housing Type	Housing for Female Terminals
Sealable	Yes
Primary Locking Feature	Integrated in Housing
Mixed & Hybrid Connector	No
Connector Shape	Rectangular

Configuration Features

Number of Positions	3
Number of Rows	1

Housing Features

Centerline (Pitch)	4.8 mm [.189 in]
Housing Material	PBT

Contact Features

Mating Tab Width	1.8 mm [.071 in]
Contact Size	1.8mm
Contact Type	Receptacle



Body Features

Primary Product Color	Black
Cable Exit Angle	180°

Operation/Application

Circuit Application	Signal
---------------------	--------

Mechanical Attachment

Connector Mounting Type	Cable Mount (Free-Hanging)
Strain Relief	Without
Terminal Position Assurance	Yes
Mating Alignment Type	Polarizing Slot
Mating Alignment	With

Usage Conditions

Operating Temperature (Max)	80 °C, 105 °C, 100 °C, 90 °C, 85 °C, 75 °C, 70 °C [221 °F][158 °F][167 °F][176 °F][194 °F][185 °F][212 °F]
Operating Temperature Range	-30 – 105 °C [-22 – 221 °F]

Electrical Characteristics

Nominal Voltage Architecture	12 V
Operating Voltage	12 VDC

Other

Connector Position Assurance Capable	No
EU RoHS Compliance	Compliant
EU ELV Compliance	Compliant
Serviceable	Yes

Dimensions

Product Width	25.4 mm [1 in]
Product Length	27.6 mm [1.087 in]
Connector Height	22.8 mm [.898 in]

Industry Standards

UL Flammability Rating	UL 94V-2
------------------------	----------

Packaging Features

Packaging Quantity	100
--------------------	-----



Packaging Method

Bag

Product Compliance

[For compliance documentation, visit the product page on TE.com>](#)

EU RoHS Directive 2011/65/EU	Compliant
EU ELV Directive 2000/53/EC	Compliant
China RoHS 2 Directive MIIT Order No 32, 2016	No Restricted Materials Above Threshold
EU REACH Regulation (EC) No. 1907/2006	Current ECHA Candidate List: JUNE 2024 (241) Candidate List Declared Against: JUNE 2024 (241) Does not contain REACH SVHC
Halogen Content	Not Low Halogen - contains Br or Cl > 900 ppm.
Solder Process Capability	Not applicable for solder process capability

Product Compliance Disclaimer

This information is provided based on reasonable inquiry of our suppliers and represents our current actual knowledge based on the information they provided. This information is subject to change. The part numbers that TE has identified as EU RoHS compliant have a maximum concentration of 0.1% by weight in homogenous materials for lead, hexavalent chromium, mercury, PBB, PBDE, DBP, BBP, DEHP, DIBP, and 0.01% for cadmium, or qualify for an exemption to these limits as defined in the Annexes of Directive 2011/65/EU (RoHS2). Finished electrical and electronic equipment products will be CE marked as required by Directive 2011/65/EU. Components may not be CE marked. Additionally, the part numbers that TE has identified as EU ELV compliant have a maximum concentration of 0.1% by weight in homogenous materials for lead, hexavalent chromium, and mercury, and 0.01% for cadmium, or qualify for an exemption to these limits as defined in the Annexes of Directive 2000/53/EC (ELV). Regarding the REACH Regulation, the information TE provides on SVHC in articles for this part number is based on the latest European Chemicals Agency (ECHA) 'Guidance on requirements for substances in articles' posted at this URL: <https://echa.europa.eu/guidance-documents/guidance-on-reach>

Compatible Parts





TE Part # 1-178210-3
NEW RUBBER PLUG SMALL WIRE

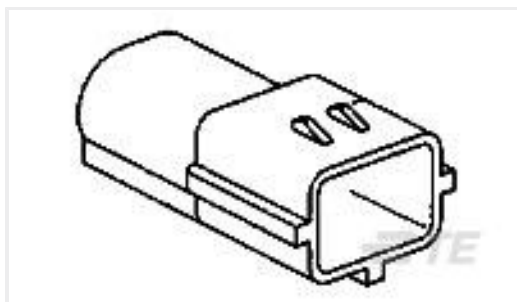


TE Part # 172746-1
E-J MK-2 070 RUBBER PLUG



TE Part # 178210-1
NEW RUBBER PLUG SMALL WIRE

Customers Also Bought



TE Part #174359-2
070 ECONOSEAL MARK-2 CAP 3P



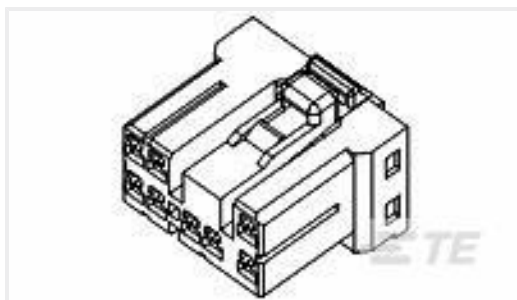
TE Part #DRC16-70SAE-P066
PLG, 70P, BLK, E, SPECIAL SEAL, A



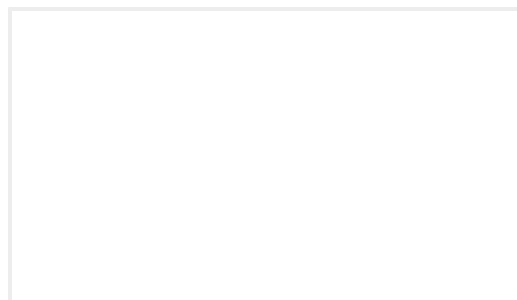
TE Part #173707-1
Econoseal Receptacles and Tabs



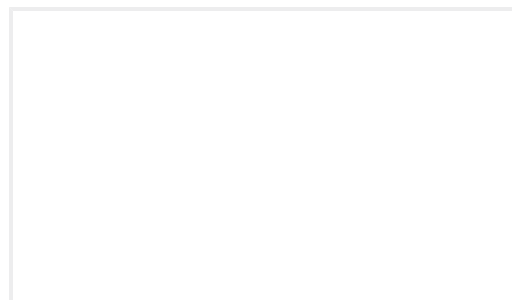
TE Part #1-172888-3
COMPRUBBER PLUG SILICON



TE Part #176118-6
070 MLC II PLUG ASSY 18P GRAY



TE Part #20008646-04
PRESS XDCR U529A-000006-3.5BA



TE Part #U529A-000005-035BA
PRESS XDCR U529A-000005-035BA

Documents

Product Drawings

[070 EJ-2\(2\) PLUG ASSY 3P SIR](#)

English

CAD Files

Customer View Model

[ENG_CVM_CVM_2-174357-2_E.2d_dxf.zip](#)

English

[3D PDF](#)

3D

Customer View Model

[ENG_CVM_CVM_2-174357-2_E.3d_igs.zip](#)

English

Customer View Model

[ENG_CVM_CVM_2-174357-2_E.3d_stp.zip](#)

English

By downloading the CAD file I accept and agree to the [Terms and Conditions](#) of use.



Datasheets & Catalog Pages

Econoseal Connector Series

English

Product Specifications

Crimping of AMP-ECONOSEAL "J"-II, .070 and .250 Series Contact

English

Application Specification

English

Instruction Sheets

ECONOSEAL J MARK II+ CONNECTOR (EJ-MK II+)

English

Customer Manual (non U.S.)

English

ECONOSEAL J MARK II+ CONNECTOR

English

Customer Manual (non U.S.)

English