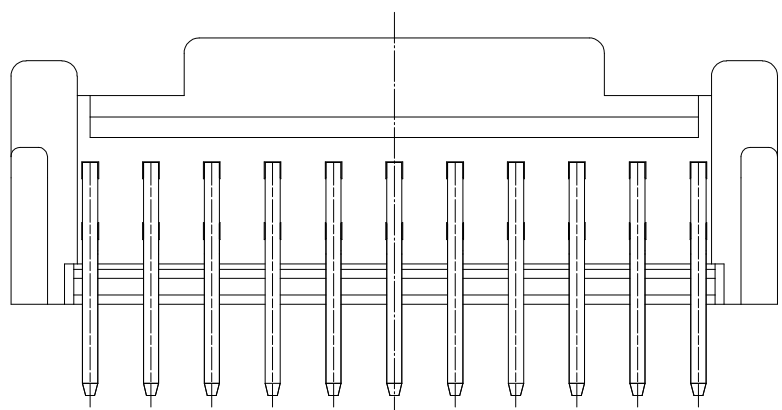
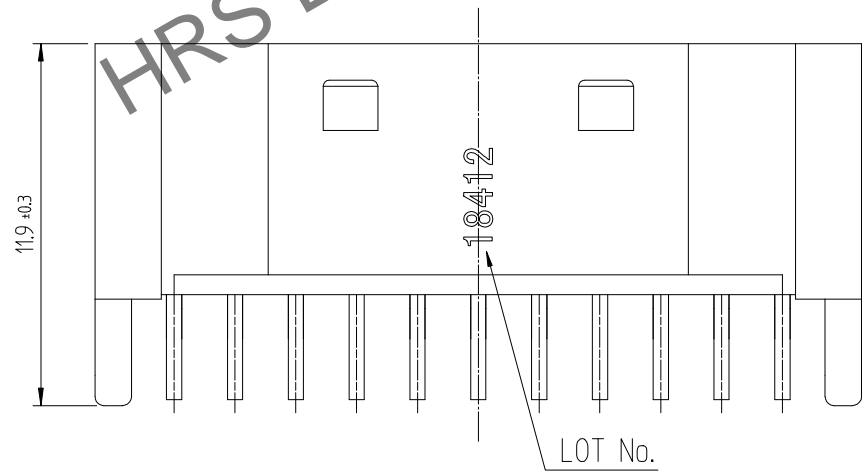
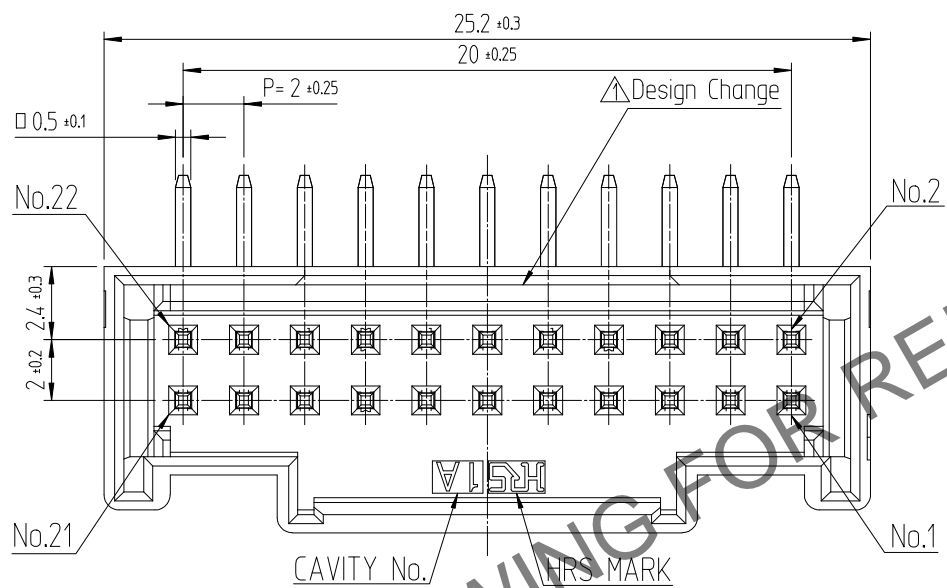


Nov. 1. 2024 Copyright 2024 HIROSE ELECTRIC CO., LTD. All Rights Reserved.  
In case of consideration for using Automotive equipment / device which demand high reliability, kindly contact our sales window

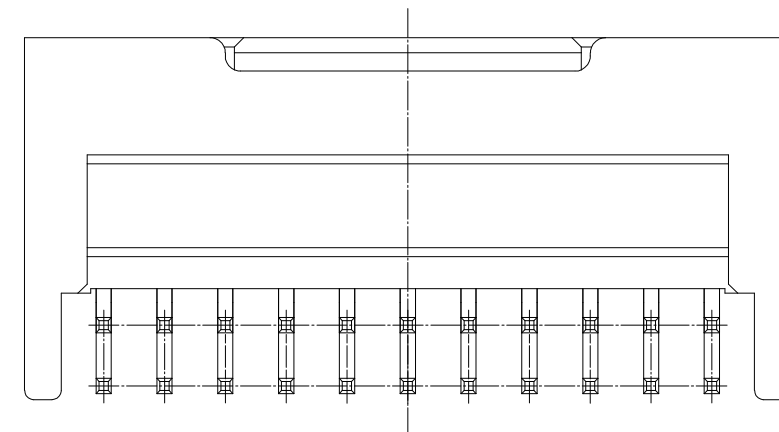
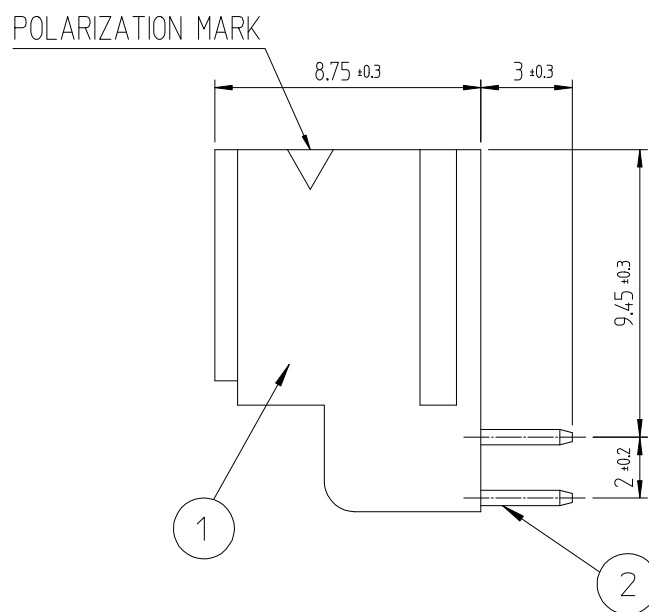
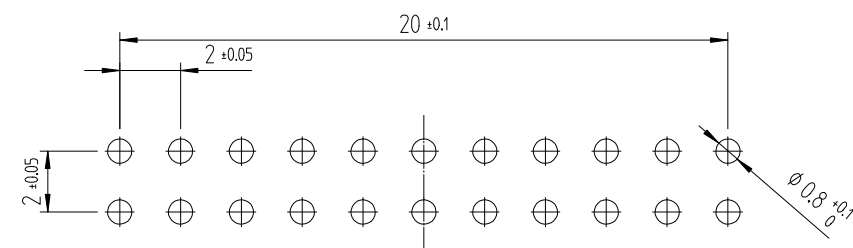


NOTE 1. 1PACK CONTAINS 120PCS.  
 2. ( ) DIMENSIONS ARE ONLY REFERENCE.  
 3. UL(File No. E132750) AUTHORIZATION ARTICLE.  
 C-UL(File No. E132750) AUTHORIZATION ARTICLE.

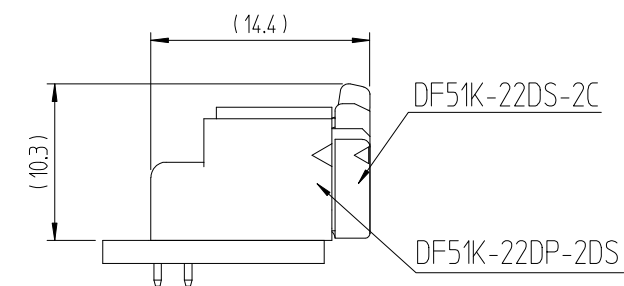
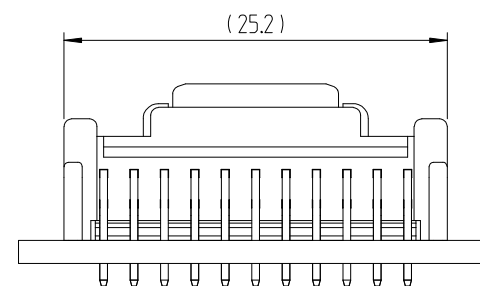


△數 COUNT	訂正事項 DESCRIPTION OF REVISIONS	擔當 B Y	檢圖 CHKD	年月日 DATE	△數 COUNT	訂正事項 DESCRIPTION OF REVISIONS	擔當 B Y	檢圖 CHKD	年月日 DATE
1	RE-6-1150	K.I.Y	L.S.M	18. 07. 04					
1	RE-6-1579	K.I.Y	L.S.M	20. 01. 23					

RECOMMENDED LAND PATTERN (FREE)  
 (PCB THICKNESS t=1.6mm)



ENGAGEMENT FIGURE (2:1)



NO.	MATERIAL	FINISH,REMARKS	NO.	MATERIAL	FINISH,REMARKS
1	PBT	UL94V-0, BLACK	2	BRASS	TIN PLATING 1μm MIN, OVER NICKEL 0.5μm MIN
CODE NO. (OLD)			DRAWN		
			DESIGNED		
			CHECKED		
			APPROVED		
			RELEASED		
DRAWING NO. EDC3-632485			PART NO. DF51K-22DP-2DS (800)		
SCALE 4:1			CODE NO. CL 6652-0049-8-800		
UNITS mm			HRS HIROSE KOREA CO.,LTD.		

F

F