



Connectors > Circular Connectors > DIN Connectors



EU RoHS Compliance: **Compliant**

EU ELV Compliance: **Compliant**

Circular DIN Connector Type: **Circular DIN**

Connector System: **Wire-to-Board**

Number of Positions: **6**

## Features

### Other

EU RoHS Compliance	Compliant
EU ELV Compliance	Compliant

### Product Type Features

Circular DIN Connector Type	Circular DIN
Connector System	Wire-to-Board
Connector & Contact Terminates To	Printed Circuit Board

### Configuration Features

PCB Mount Orientation	Right Angle
Number of Positions	6
Connector Contact Load Condition	Selectively Loaded

### Electrical Characteristics

Operating Voltage	250 VAC
-------------------	---------

### Body Features

Shield Plating Thickness	2.54 $\mu$ m[100 $\mu$ in]
Shield Plating Material	Tin/Nickel

Shield Material	Brass
Shield Underplate Material	Nickel
Primary Product Color	Black
Shield Underplate Thickness	1.27 $\mu\text{m}$ [50 $\mu\text{in}$ ]

### Contact Features

Contact Underplating Material	Nickel
Contact Mating Area Plating Material Thickness	2.54 $\mu\text{m}$ [100 $\mu\text{in}$ ]
Contact Shape & Form	Tuning Fork
PCB Contact Termination Area Plating Material Thickness	2.54 $\mu\text{m}$ [100 $\mu\text{in}$ ]
Contact Layout	Staggered
Contact Mating Area Plating Material	Tin
Contact Base Material	Brass
PCB Contact Termination Area Plating Material	Tin
Contact Current Rating (Max)	7.5 A

### Termination Features

Termination Method to PCB	Through Hole - Solder
Termination Post & Tail Length	3.56 mm[.14 in]

### Mechanical Attachment

Panel Mount Feature	Without
Mating Retention	Without
Mating Alignment	With
PCB Mount Alignment	With
PCB Mount Alignment Type	Solder Tail Layout
Mating Alignment Type	Keyed
PCB Mount Retention	With
PCB Mount Retention Type	Kinked Legs
Connector Mounting Type	Board Mount

### Housing Features

Housing Material	Nylon
Centerline (Pitch)	2.49 mm[.1 in]

### Dimensions

PCB Thickness (Recommended)	2.36 mm
-----------------------------	---------

Product Width	15.75 mm[.62 in]
---------------	------------------

Product Length	21.84 mm[.86 in]
----------------	------------------

Connector Height	20.83 mm[.82 in]
------------------	------------------

### Usage Conditions

Operating Temperature Range	-55 – 105 °C[-67 – 221 °F]
-----------------------------	----------------------------

### Operation/Application

Shielded	Yes
----------	-----

Circuit Application	Signal
---------------------	--------

### Industry Standards

UL Flammability Rating	UL 94V-0
------------------------	----------

Compatible With Approved Standards Products	UL E28476, CSA LR3507
---	-----------------------

### Packaging Features

Packaging Quantity	100
--------------------	-----

Packaging Method	Tray
------------------	------

### Product Compliance

[For compliance documentation, visit the product page on TE.com>](#)

EU RoHS Directive 2011/65/EU	Compliant
------------------------------	-----------

EU ELV Directive 2000/53/EC	Compliant
-----------------------------	-----------

China RoHS 2 Directive MIIT Order No 32, 2016	No Restricted Materials Above Threshold
---	---

EU REACH Regulation (EC) No. 1907/2006	Current ECHA Candidate List: JUNE 2024 (241) Candidate List Declared Against: JUNE 2024 (241) Does not contain REACH SVHC
--	---

Halogen Content	BFR/CFR/PVC Free, but Br/Cl >900 ppm in other sources.
-----------------	--

Solder Process Capability	Wave solder capable to 265°C
---------------------------	------------------------------

#### Product Compliance Disclaimer

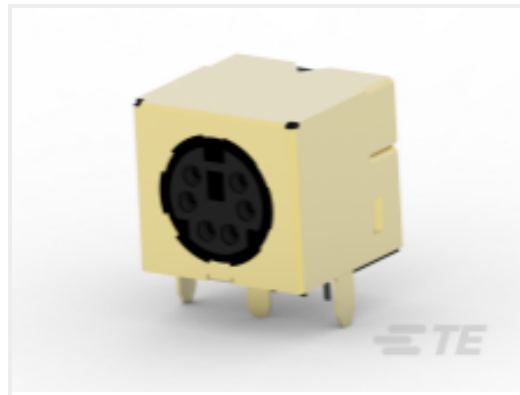
This information is provided based on reasonable inquiry of our suppliers and represents our current actual knowledge based on the information they provided. This information is subject to change. The part numbers that TE has identified as EU RoHS compliant have a maximum concentration of 0.1% by weight in homogenous materials for lead, hexavalent chromium, mercury, PBB, PBDE, DBP, BBP, DEHP, DIBP, and 0.01% for cadmium, or qualify for an exemption to these limits as defined in the Annexes of Directive 2011/65/EU (RoHS2). Finished electrical and electronic equipment products will be CE marked as required by Directive 2011/65/EU. Components may not be CE marked. Additionally, the part numbers that TE has identified as EU ELV compliant have a maximum concentration of 0.1% by weight in homogenous materials for lead, hexavalent chromium, and mercury, and 0.01% for cadmium, or qualify for an exemption to these limits as defined in the Annexes of Directive 2000/53/EC (ELV). Regarding the REACH Regulation, the information TE provides

on SVHC in articles for this part number is based on the latest European Chemicals Agency (ECHA) 'Guidance on requirements for substances in articles' posted at this URL: <https://echa.europa.eu/guidance-documents/guidance-on-reach>

## Compatible Parts



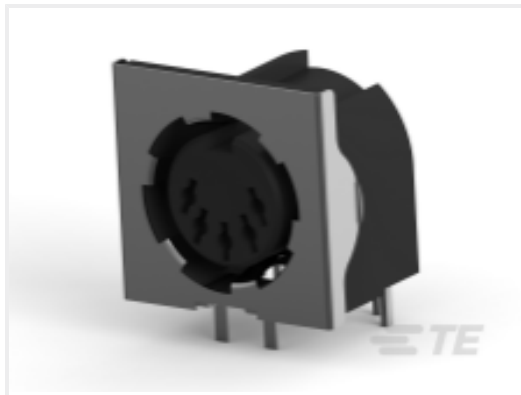
TE Part # 5750071-1  
Mini DIN, 6 pos, R/A, Shield



TE Part # 5749265-1  
Mini DIN, 6 pos, R/A, Shield



TE Part # 5749231-1  
Mini DIN, 6 pos, R/A, Shield



TE Part # 5212044-1  
5 CIRC DIN RCPT GRND SHLD



TE Part # 5786676-1  
6 CIRC DIN RCPT W/GRND FINGERS



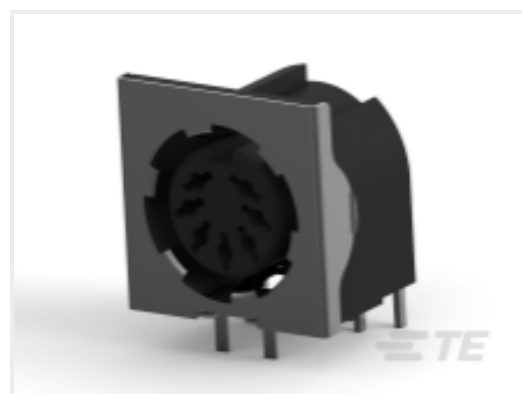
TE Part # 5749266-1  
Mini DIN, 6 pos, R/A, Shield



TE Part # 1-5749180-1  
Mini DIN, 6 pos, R/A, Shield



TE Part # 5750725-1  
Mini DIN, 6 pos, R/A, Shield

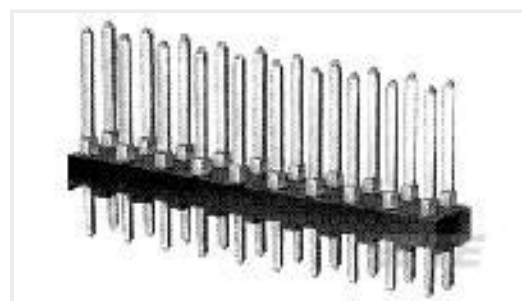


TE Part # 5212046-1  
7 CIRC DIN RCPT GRND SHLD



TE Part # 5786290-1  
6 CIRC DIN RCPT,GRND CLIP

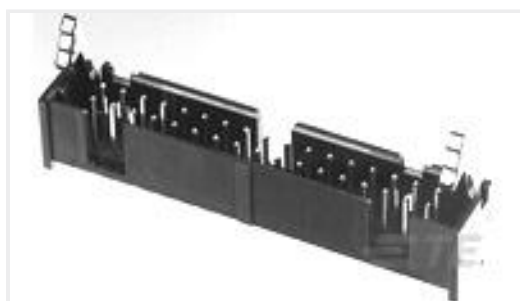
## Customers Also Bought



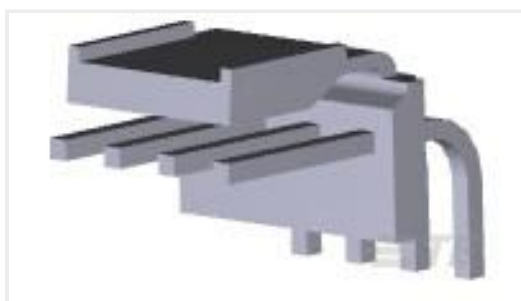
TE Part #1-87227-3  
26 MODII HDR DRST UNSHRD .100



TE Part #3-644613-5  
05P MTA156 HDR RA PO WO PEG LF



TE Part #1761608-3  
IDC LOW PRO HDR 10P VERT SHT L



TE Part #3-644613-4  
04P MTA156 HDR RA PO WO PEG LF



TE Part #2-1586546-0  
06P CMNL HDR ASSY NATL LF



TE Part #5749231-1  
Mini DIN, 6 pos, R/A, Shield



TE Part #3-5331272-5  
SOCKET, MIN-SPR SN-AU SER-2



TE Part #1-103311-2  
060 LOPRO HDR RA 30DP



TE Part #172781-4  
LOW PROFILE MINI AMP-IN  
(AWG#30-#26)Y-TY

## Documents

### Product Drawings

#### 6 CIRC DIN RCPT GRND SHLD

English

### CAD Files

#### 3D PDF

3D

#### Customer View Model

[ENG\\_CVM\\_CVM\\_5212045-1\\_O.2d\\_dxf.zip](#)

English

#### Customer View Model

[ENG\\_CVM\\_CVM\\_5212045-1\\_O.3d\\_igs.zip](#)

English

#### Customer View Model

[ENG\\_CVM\\_CVM\\_5212045-1\\_O.3d\\_stp.zip](#)

English

By downloading the CAD file I accept and agree to the [Terms and Conditions](#) of use.

### Product Specifications

#### Application Specification

English

### Agency Approvals

#### Agency Approval Document

English