



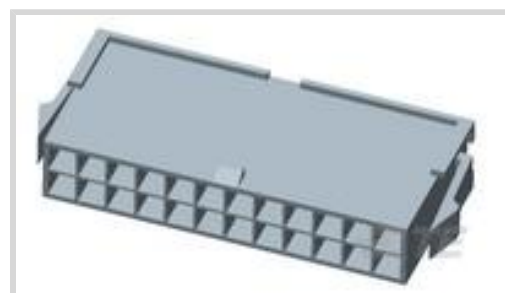
VAL-U-LOK

TE Internal #: 2-2296207-2

Wire-to-Panel / Wire-to-Wire, 22 Position, 4.2 mm [.165 in]
Centerline, 2 Row, Nylon, Plug, Socket, Wire & Cable, Rectangular
Connector Housings

[View on TE.com >](#)

Connectors > Rectangular Connectors > Rectangular Connector Housings



Connector System: **Wire-to-Panel, Wire-to-Wire**

Number of Positions: **22**

Centerline (Pitch): **4.2 mm [.165 in]**

Number of Rows: **2**

Housing Material: **Nylon**

Features

Product Type Features

Connector System	Wire-to-Panel, Wire-to-Wire
Connector & Housing Type	Plug
Sealable	No
Connector & Contact Terminates To	Wire & Cable

Configuration Features

Number of Positions	22
Number of Rows	2
Insertion Force	15 Newton

Housing Features

Centerline (Pitch)	4.2 mm [.165 in]
Housing Material	Nylon

Contact Features

Contact Type	Socket
--------------	--------

Operation/Application

Circuit Application	Power
---------------------	-------

Mechanical Attachment

Connector Mounting Type	Panel Mount, Cable Mount (Free-Hanging)
-------------------------	---



Usage Conditions

Operating Temperature Range	-40 – 105 °C[-40 – 221 °F]
-----------------------------	----------------------------

Other

EU RoHS Compliance	Compliant
EU ELV Compliance	Compliant

Dimensions

Row-to-Row Spacing	4.2 mm[.165 in]
--------------------	-----------------

Product Compliance

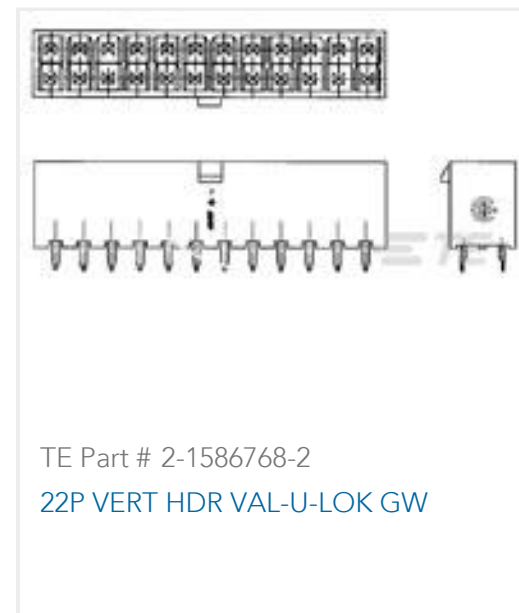
[For compliance documentation, visit the product page on TE.com>](#)

EU RoHS Directive 2011/65/EU	Compliant
EU ELV Directive 2000/53/EC	Compliant
China RoHS 2 Directive MIIT Order No 32, 2016	No Restricted Materials Above Threshold
EU REACH Regulation (EC) No. 1907/2006	Current ECHA Candidate List: JUNE 2024 (241) Candidate List Declared Against: JUNE 2024 (241) Does not contain REACH SVHC
Halogen Content	Not Low Halogen - contains Br or Cl > 900 ppm.
Solder Process Capability	Not reviewed for solder process capability

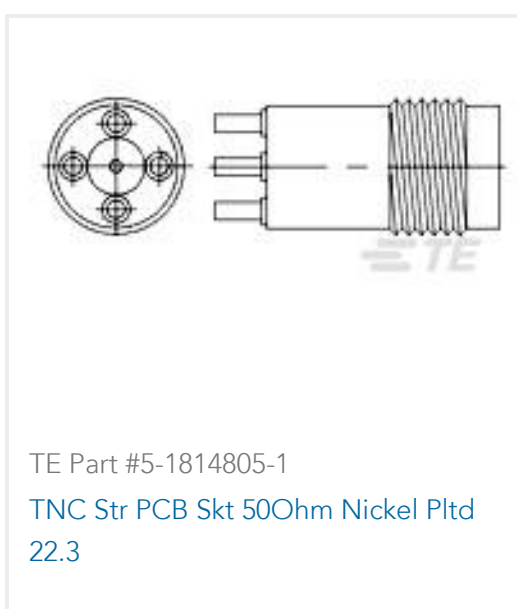
Product Compliance Disclaimer

This information is provided based on reasonable inquiry of our suppliers and represents our current actual knowledge based on the information they provided. This information is subject to change. The part numbers that TE has identified as EU RoHS compliant have a maximum concentration of 0.1% by weight in homogenous materials for lead, hexavalent chromium, mercury, PBB, PBDE, DBP, BBP, DEHP, DIBP, and 0.01% for cadmium, or qualify for an exemption to these limits as defined in the Annexes of Directive 2011/65/EU (RoHS2). Finished electrical and electronic equipment products will be CE marked as required by Directive 2011/65/EU. Components may not be CE marked. Additionally, the part numbers that TE has identified as EU ELV compliant have a maximum concentration of 0.1% by weight in homogenous materials for lead, hexavalent chromium, and mercury, and 0.01% for cadmium, or qualify for an exemption to these limits as defined in the Annexes of Directive 2000/53/EC (ELV). Regarding the REACH Regulation, the information TE provides on SVHC in articles for this part number is based on the latest European Chemicals Agency (ECHA) 'Guidance on requirements for substances in articles' posted at this URL: <https://echa.europa.eu/guidance-documents/guidance-on-reach>

Compatible Parts



Customers Also Bought



Documents



Product Drawings

22P PM PLUG VAL-U-LOK PM GWT/V0

English

CAD Files

3D PDF

3D

Customer View Model

[ENG_CVM_CVM_2-2296207-2_A.2d_dxf.zip](#)

English

Customer View Model

[ENG_CVM_CVM_2-2296207-2_A.3d_igs.zip](#)

English

Customer View Model

[ENG_CVM_CVM_2-2296207-2_A.3d_stp.zip](#)

English

By downloading the CAD file I accept and agree to the [Terms and Conditions](#) of use.

Product Specifications

Application Specification

English

Agency Approvals

UL Report

English

UL Report

English