

2-322870-2 ✓ ACTIVE

SOLISTRAND

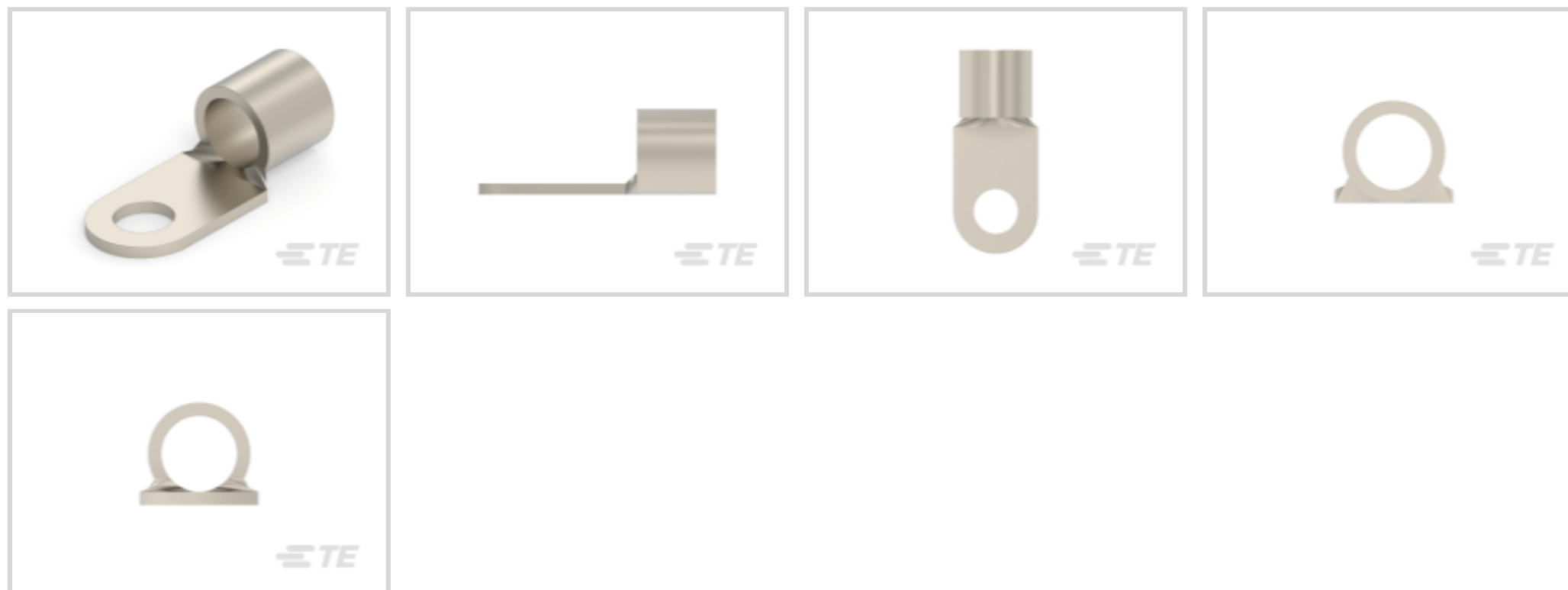
TE Internal #: 2-322870-2

Closed Ring Tongue Terminal, 2 AWG, 5/16 / M8 Stud Size, 8.33 mm [.328 in] Stud Diameter, Closed Barrel, Straight, Nickel, Uninsulated

[View on TE.com >](#)



Terminals & Splices > Ring Terminals



Ring Terminal Product Type: Closed Ring Tongue Terminal

Wire Size: 52600 – 83700 CMA

Stud Size: M8, 5/16

Features

Product Type Features

Ring Terminal Product Type	Closed Ring Tongue Terminal
Stud Size	M8, 5/16
Sealable	No
Wire Insulation Support Retention Type	Non-Insulation Support

Dimensions

Wire Size	52600 – 83700 CMA
Stud Diameter	8.33 mm [.328 in]
Tongue Thickness	.79 mm [.031 in]
Product Length	38.79 mm [1.527 in]
Barrel Inside Diameter	9.4 mm [.37 in]

Contact Features

Barrel Type	Closed
Terminal Orientation	Straight
Terminal Plating Material	Nickel

Usage Conditions



Insulation Option	Uninsulated
-------------------	-------------

Operating Temperature Range	343 °C[649 °F]
-----------------------------	----------------

Packaging Features

Packaging Method	Loose Piece
------------------	-------------

Packaging Quantity	50
--------------------	----

Other

EU RoHS Compliance	Compliant
--------------------	-----------

EU ELV Compliance	Compliant
-------------------	-----------

Configuration Features

Number of Holes	1
-----------------	---

Body Features

Product Weight	12.775 g
----------------	----------

Mechanical Attachment

Wire Insulation Support	Without
-------------------------	---------

Industry Standards

Government Qualified Terminal	No
-------------------------------	----

Product Compliance

[For compliance documentation, visit the product page on TE.com>](#)

EU RoHS Directive 2011/65/EU	Compliant
------------------------------	-----------

EU ELV Directive 2000/53/EC	Compliant
-----------------------------	-----------

China RoHS 2 Directive MIIT Order No 32, 2016	No Restricted Materials Above Threshold
---	---

EU REACH Regulation (EC) No. 1907/2006	Current ECHA Candidate List: JUNE 2024 (241) Candidate List Declared Against: JUNE 2024 (241) Does not contain REACH SVHC
--	---

Halogen Content	Low Halogen - Br, Cl, F, I < 900 ppm per homogenous material. Also BFR/CFR/PVC Free
-----------------	---

Solder Process Capability	Not applicable for solder process capability
---------------------------	--

Product Compliance Disclaimer

This information is provided based on reasonable inquiry of our suppliers and represents our current actual knowledge based on the information they provided. This information is subject to change. The part numbers that TE has identified as EU RoHS compliant have a maximum concentration of 0.1% by weight in homogenous materials for lead, hexavalent



chromium, mercury, PBB, PBDE, DBP, BBP, DEHP, DIBP, and 0.01% for cadmium, or qualify for an exemption to these limits as defined in the Annexes of Directive 2011/65/EU (RoHS2). Finished electrical and electronic equipment products will be CE marked as required by Directive 2011/65/EU. Components may not be CE marked. Additionally, the part numbers that TE has identified as EU ELV compliant have a maximum concentration of 0.1% by weight in homogenous materials for lead, hexavalent chromium, and mercury, and 0.01% for cadmium, or qualify for an exemption to these limits as defined in the Annexes of Directive 2000/53/EC (ELV). Regarding the REACH Regulation, the information TE provides on SVHC in articles for this part number is based on the latest European Chemicals Agency (ECHA) 'Guidance on requirements for substances in articles' posted at this URL: <https://echa.europa.eu/guidance-documents/guidance-on-reach>

Compatible Parts



TE Part # 1490414-2
HYP10 SOLIS HD 6-4AWG INDENTER



TE Part # 601075
BANTAM ROTA-CRIMP TOOL



TE Part # 48127
HYP8 SOLIS 6-2AWG INDENTER



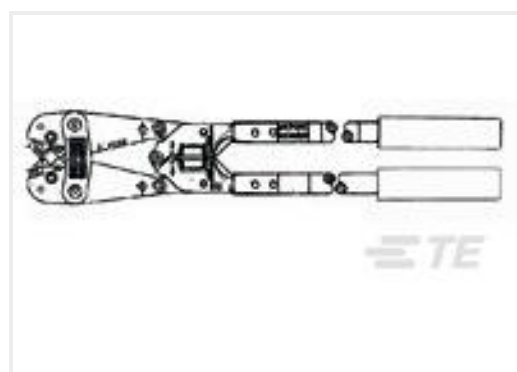
TE Part # 45433
HYP8/10 SOLIS 2AWG DIE SET



TE Part # 322870
TERMINAL, SOLIS R 2 5/16



TE Part # 1490413-4
HYP10 SOLIS 2AWG NEST



TE Part # 600850
ROTO-CRIMP TOOL (ASI)



TE Part # 48130
HYP8 SOLIS 2AWG NEST

Customers Also Bought



TE Part # 134462-1
TERM, RING, STRAT, HR, SOLIS, 2, M6 (1/4)



TE Part # 1958285-1
SOLISTRAND 6 S-T HR RING 1/4



TE Part # 1577634-1
TERMINAL RT PIDG PEEK STRATO 18-16 AWG



TE Part # CW5504-000
SHF260-0113-4-9



TE Part # 323174
TERMINAL, SOLIS R HR 4 5/16



TE Part # 323173
STRATO-THERM, HR 4 1/4 NIPL



TE Part # 323166
STRATO-THERM, HR 8 1/4 NIPL

Documents



Product Drawings

STRATO-THERM, HR 2 5/16 NIPL

English

CAD Files

3D PDF

3D

Customer View Model

[ENG_CVM_CVM_2-322870-2_AH.2d_dxf.zip](#)

English

Customer View Model

[ENG_CVM_CVM_2-322870-2_AH.3d_igs.zip](#)

English

Customer View Model

[ENG_CVM_CVM_2-322870-2_AH.3d_stp.zip](#)

English

3D PDF

English

Customer View Model

[ENG_CVM_2-322870-2_J.3d_igs.zip](#)

English

Customer View Model

[ENG_CVM_2-322870-2_J.3d_stp.zip](#)

English

Customer View Model

[ENG_CVM_2-322870-2_J.2d_dxf.zip](#)

English

By downloading the CAD file I accept and agree to the [Terms and Conditions](#) of use.

Datasheets & Catalog Pages

SOLISTRAND - QRG

English

Product Specifications

Product Specification

English