

211758-1 ✓ ACTIVE

METRIMATE

TE Internal #: 211758-1

Wire-to-Board / Wire-to-Panel / Wire-to-Wire, 12 Position, 5.08 mm

[.2 in] Centerline, 4 Row, Thermal Plastic, Plug, Rectangular

Connector Housings

[View on TE.com >](#)



Connectors > Rectangular Connectors > Rectangular Connector Housings



Connector System: **Wire-to-Board, Wire-to-Panel, Wire-to-Wire**

Number of Positions: **12**

Centerline (Pitch): **5.08 mm [.2 in]**

Number of Rows: **4**

Housing Material: **Thermal Plastic**

Features

Product Type Features

Connector System	Wire-to-Board, Wire-to-Panel, Wire-to-Wire
Connector & Housing Type	Plug
Sealable	No
Connector & Contact Terminates To	Wire & Cable
Compatible With Discrete Wire Type	Stranded

Configuration Features

Number of Positions	12
Number of Rows	4
Compatible With Wire & Cable Type	Discrete Wire

Housing Features

Centerline (Pitch)	5.08 mm[.2 in]
Housing Material	Thermal Plastic
Housing Color	Black

Contact Features



Contact Type	Socket
--------------	--------

Contact Current Rating (Max)	13 A
------------------------------	------

Operation/Application

Circuit Application	Power & Signal
---------------------	----------------

Mechanical Attachment

Connector Mounting Type	Panel Mount
-------------------------	-------------

Panel Mount Feature Type	Screw Mount
--------------------------	-------------

Usage Conditions

Operating Temperature Range	-55 – 130 °C[-67 – 266 °F]
-----------------------------	----------------------------

Other

EU RoHS Compliance	Compliant
--------------------	-----------

EU ELV Compliance	Compliant
-------------------	-----------

Electrical Characteristics

Operating Voltage	600 VDC
-------------------	---------

Dimensions

Row-to-Row Spacing	4.39 mm[.173 in]
--------------------	------------------

Product Width	30.23 mm[1.19 in]
---------------	-------------------

Product Length	49.33 mm[1.942 in]
----------------	--------------------

Panel Thickness (Recommended)	.8 – 2.3 mm[.031 – .091 in]
-------------------------------	-----------------------------

Connector Height	38.1 mm[1.5 in]
------------------	-----------------

Industry Standards

Compatible With Agency/Standards Products	UL, VDE, CSA
---	--------------

UL Flammability Rating	UL 94V-0
------------------------	----------

Compatible With Approved Standards Products	UL E28476
---	-----------

Packaging Features

Packaging Method	Package
------------------	---------

Packaging Quantity	198
--------------------	-----

Product Compliance

[For compliance documentation, visit the product page on TE.com>](#)

EU RoHS Directive 2011/65/EU	Compliant
------------------------------	-----------




EU ELV Directive 2000/53/EC	Compliant
China RoHS 2 Directive MIIT Order No 32, 2016	No Restricted Materials Above Threshold
EU REACH Regulation (EC) No. 1907/2006	Current ECHA Candidate List: JUNE 2024 (241) Candidate List Declared Against: JUNE 2024 (241) Does not contain REACH SVHC
Halogen Content	Not Low Halogen - contains Br or Cl > 900 ppm.
Solder Process Capability	Wave solder capable to 265°C


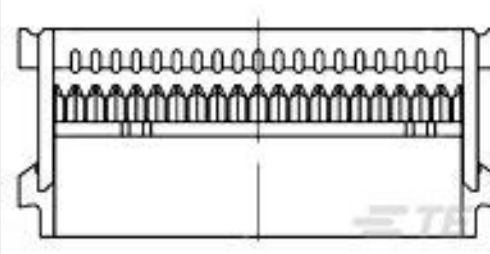


Product Compliance Disclaimer

This information is provided based on reasonable inquiry of our suppliers and represents our current actual knowledge based on the information they provided. This information is subject to change. The part numbers that TE has identified as EU RoHS compliant have a maximum concentration of 0.1% by weight in homogenous materials for lead, hexavalent chromium, mercury, PBB, PBDE, DBP, BBP, DEHP, DIBP, and 0.01% for cadmium, or qualify for an exemption to these limits as defined in the Annexes of Directive 2011/65/EU (RoHS2). Finished electrical and electronic equipment products will be CE marked as required by Directive 2011/65/EU. Components may not be CE marked. Additionally, the part numbers that TE has identified as EU ELV compliant have a maximum concentration of 0.1% by weight in homogenous materials for lead, hexavalent chromium, and mercury, and 0.01% for cadmium, or qualify for an exemption to these limits as defined in the Annexes of Directive 2000/53/EC (ELV). Regarding the REACH Regulation, the information TE provides on SVHC in articles for this part number is based on the latest European Chemicals Agency (ECHA) 'Guidance on requirements for substances in articles' posted at this URL: <https://echa.europa.eu/guidance-documents/guidance-on-reach>

Compatible Parts

 <p>TE Part # 208211-4 SCREW, SHOULDER, SPECIAL</p>	 <p>TE Part # 208211-1 SCREW SHOULDER, SPEC</p>	 <p>TE Part # 211759-1 RECEPT HSG, 12 POSN, METRIMATE</p>
--	--	--

Customers Also Bought

 <p>TE Part #1971780-2 PTL TAB CONTACT, 12 AWG</p>	 <p>TE Part #1-1658526-8 609-3430LF FEM SOCKET, LEAD FREE</p>	 <p>TE Part #5555799-1 MJ, TE, 8P/8C, KEYED, TRAY PAC</p>	 <p>TE Part #5-146282-2 02 MODII HDR SRST B/A .100CL</p>
---	--	--	---



Documents

Product Drawings

[PLUG HSG,12 POSN,METRIMATE](#)

English

CAD Files

[3D PDF](#)

English

Customer View Model

[ENG_CVM_211758-1_F.2d_dxf.zip](#)

English

Customer View Model

[ENG_CVM_211758-1_F.3d_igs.zip](#)

English

Customer View Model

[ENG_CVM_211758-1_F.3d_stp.zip](#)

English

[3D PDF](#)

3D

Customer View Model

[ENG_CVM_CVM_211758-1_R.2d_dxf.zip](#)

English

Customer View Model

[ENG_CVM_CVM_211758-1_R.3d_igs.zip](#)

English

Customer View Model

[ENG_CVM_CVM_211758-1_R.3d_stp.zip](#)

English



By downloading the CAD file I accept and agree to the [Terms and Conditions](#) of use.

Datasheets & Catalog Pages

[METRIMATE_PIN_SOCKET_CATALOG](#)

English

Product Specifications

[Application Specification](#)

English

Agency Approvals

[Agency Approval Document](#)

English