

1438246-1 ✓ ACTIVE

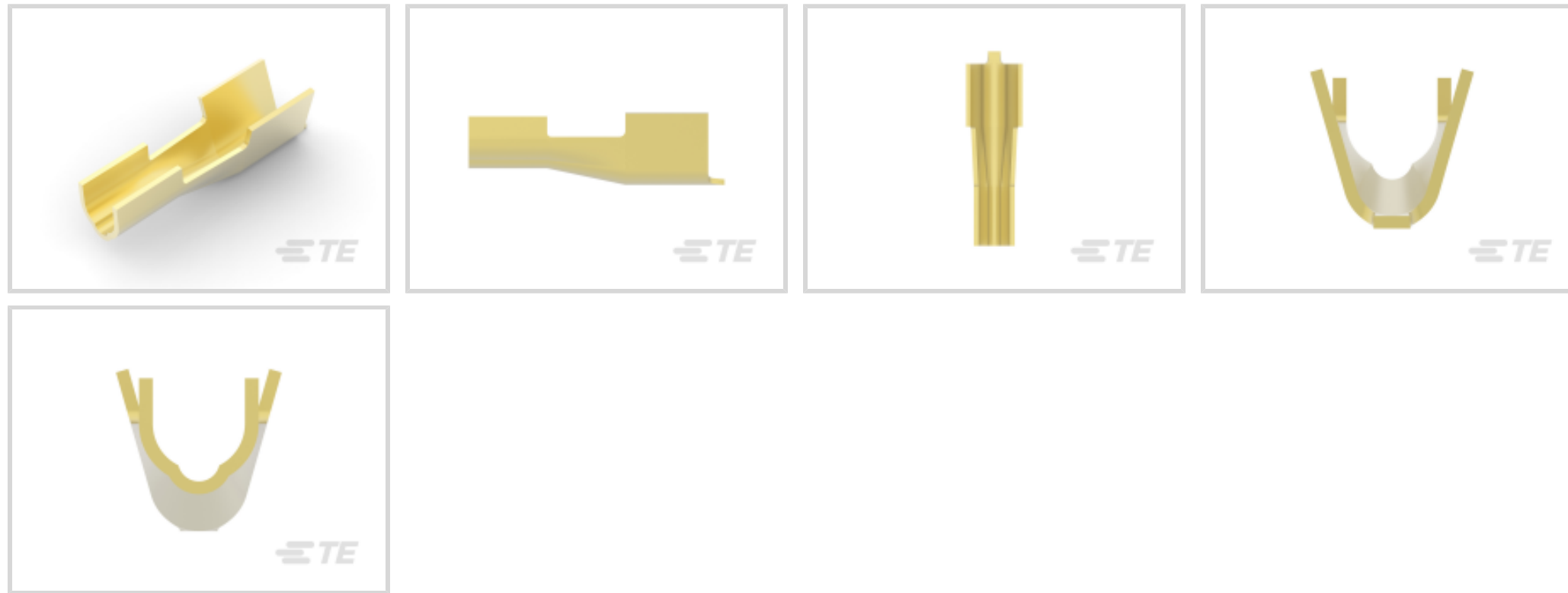


TE Internal #: 1438246-1

Butt Splice, 16 – 18 AWG Wire Size, Splice Capacity 1, Brass, 0 Serration, Length 14.7 mm [.58 in], Reel, Open, Stranded Wire, Discrete Wire, Splices

[View on TE.com >](#)

Terminals & Splices > Splices



Splice Type: **Butt Splice**

Wire Size: **16 – 18 AWG**

Sealable: **No**

Splice Capacity: **1**

Compatible Insulation Diameter Range: **26 mm [1.02 in]**

Features

Product Type Features

Splice Accessory Type	Splice
Splice Type	Butt Splice
Sealable	No
Compatible With Discrete Wire Type	Stranded
Wire Insulation Support Retention Type	Insulation Piercing

Configuration Features

Splice Capacity	1
Number of Serrations	0
Compatible With Wire & Cable Type	Discrete Wire

Contact Features

Contact Base Material	Brass
Barrel Type	Open

Mechanical Attachment

Wire Insulation Support	With
-------------------------	------



Dimensions

Wire Size	16 – 18 AWG
Compatible Insulation Diameter Range	26 mm[1.02 in]
Product Length	14.7 mm[.58 in]

Usage Conditions

Insulation Option	Uninsulated
Operating Temperature Range	-40 – 110 °C[-40 – 230 °F]

Industry Standards

Government Qualified Splice	No
-----------------------------	----

Packaging Features

Packaging Method	Reel
------------------	------

Other

EU RoHS Compliance	Compliant
EU ELV Compliance	Compliant

Product Compliance

[For compliance documentation, visit the product page on TE.com>](#)

EU RoHS Directive 2011/65/EU	Compliant
EU ELV Directive 2000/53/EC	Compliant
China RoHS 2 Directive MIIT Order No 32, 2016	No Restricted Materials Above Threshold
EU REACH Regulation (EC) No. 1907/2006	Current ECHA Candidate List: JUNE 2024 (241) Candidate List Declared Against: JUNE 2024 (241) Does not contain REACH SVHC
Halogen Content	Low Halogen - Br, Cl, F, I < 900 ppm per homogenous material. Also BFR/CFR/PVC Free
Solder Process Capability	Not applicable for solder process capability

Product Compliance Disclaimer

This information is provided based on reasonable inquiry of our suppliers and represents our current actual knowledge based on the information they provided. This information is subject to change. The part numbers that TE has identified as EU RoHS compliant have a maximum concentration of 0.1% by weight in homogenous materials for lead, hexavalent chromium, mercury, PBB, PBDE, DBP, BBP, DEHP, DIBP, and 0.01% for cadmium, or qualify for an exemption to these limits as defined in the Annexes of Directive 2011/65/EU (RoHS2). Finished electrical and electronic equipment products will be CE marked as required by Directive 2011/65/EU. Components may not be CE marked. Additionally, the part numbers that TE has identified as EU ELV compliant have a maximum concentration of 0.1% by weight in homogenous materials for lead, hexavalent chromium, and mercury, and 0.01% for cadmium, or qualify for an exemption to these limits

as defined in the Annexes of Directive 2000/53/EC (ELV). Regarding the REACH Regulation, the information TE provides on SVHC in articles for this part number is based on the latest European Chemicals Agency (ECHA) 'Guidance on requirements for substances in articles' posted at this URL: <https://echa.europa.eu/guidance-documents/guidance-on-reach>

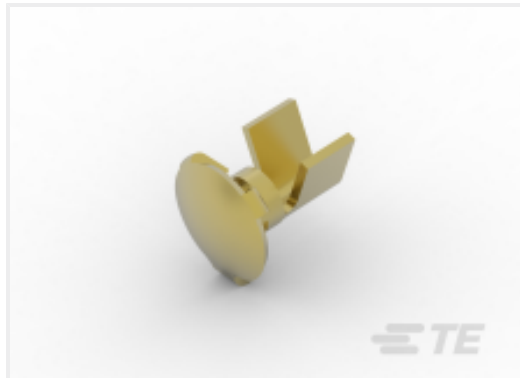
Compatible Parts



TE Part # 40626
FUSE TERMINAL RECEPTACLE 16-14 AWG TPBR



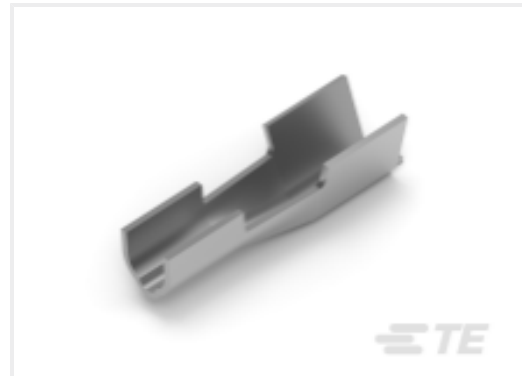
TE Part # 63863-1
TWIST LOCK RECEPTACLE 18-14 AWG TPPHBZ



TE Part # 61280-1
BUTTON CONTACT 20-16 AWG BR



TE Part # 61248-1
TAB INSULATION PIERCING 20-18 AWG TPCUBR



TE Part # 1438246-2
SPLICE, BUTT, HEATER WIRE 18-16AWG PTPBR



TE Part # 61480-2
PHASING LINE CLIP TPCUBR



TE Part # 62587-1
PIN RECEPTACLE 12-10 AWG TPBR



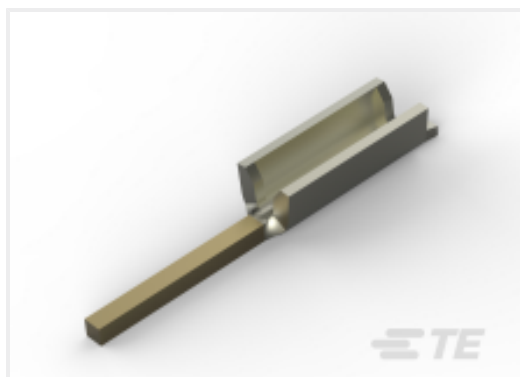
TE Part # 63271-1
COIL TERMINAL TERMINAL 24-20 AWG PTPBR



TE Part # 1217440-8
STRAIN RELIEF, SPECIAL PH BRZ



TE Part # 1217881-1
250 FUSE RCPT 020PTPBR



TE Part # 61684-3
SPECIAL TAB TAB TNSL WIRE GPBR



TE Part # 61684-5
SPECIAL TAB TAB TNSL WIRE NTPBR



TE Part # 63723-2
RCPT TWISTLOK 20-16 0255 TPPHBZ

Customers Also Bought



Documents

Product Drawings

[SPLICE, BUTT, HEATER WIRE 18-16 AWG BR](#)

English

CAD Files

[3D PDF](#)

3D

Customer View Model

[ENG_CVM_CVM_1438246-1_F.2d_dxf.zip](#)

English

Customer View Model

[ENG_CVM_CVM_1438246-1_F.3d_igs.zip](#)

English

Customer View Model

[ENG_CVM_CVM_1438246-1_F.3d_stp.zip](#)

English

By downloading the CAD file I accept and agree to the [Terms and Conditions](#) of use.

Product Specifications

1438246-1

Butt Splice, 16 – 18 AWG Wire Size, Splice Capacity 1, Brass, 0 Serration, Length 14.7 mm [.58 in], Reel, Open, Stranded Wire, Discrete Wire, Splices



Product Specification

English