

174921-2 ✓ ACTIVE

AMP | Multilock Connector System

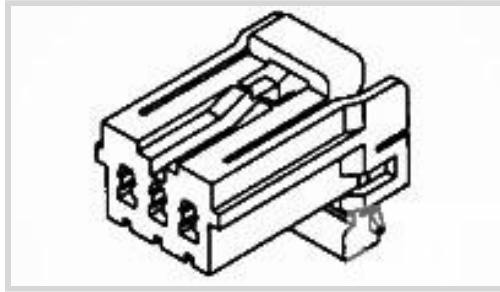
TE Internal #: 174921-2

Housing for Female Terminals, Wire-to-Wire, 3 Position, 3.5 mm [.138 in] Centerline, Black, Signal, Multilock Connector System

[View on TE.com >](#)



Connectors > Automotive Connectors > Automotive Housings > MULTILOCK, CONNECTOR HOUSING



Connector System: **Wire-to-Wire**

Number of Positions: **3**

Connector & Housing Type: **Housing for Female Terminals**

Centerline (Pitch): **3.5 mm [.138 in]**

Sealable: **No**

[All MULTILOCK, CONNECTOR HOUSING \(146\)](#)

Features

Product Type Features

Connector System	Wire-to-Wire
Connector & Housing Type	Housing for Female Terminals
Sealable	No
Primary Locking Feature	Integrated in Housing
Mixed & Hybrid Connector	No
Connector Shape	Rectangular

Configuration Features

Number of Positions	3
Number of Rows	1

Housing Features

Centerline (Pitch)	3.5 mm [.138 in]
Housing Material	PBT

Contact Features

Mating Tab Width	1.8 mm [.071 in]
Contact Size	1.8mm
Contact Type	Receptacle

Body Features



Primary Product Color	Black
-----------------------	-------

Cable Exit Angle	180°
------------------	------

Operation/Application

Circuit Application	Signal
---------------------	--------

Mechanical Attachment

Connector Mounting Type	Cable Mount (Free-Hanging)
-------------------------	----------------------------

Strain Relief	Without
---------------	---------

Terminal Position Assurance	Yes
-----------------------------	-----

Mating Alignment Type	Polarized
-----------------------	-----------

Mating Alignment	With
------------------	------

Usage Conditions

Operating Temperature (Max)	80 °C, 105 °C, 100 °C, 90 °C, 85 °C, 75 °C, 70 °C[221 °F][158 °F][167 °F][176 °F][194 °F] [185 °F][212 °F]
-----------------------------	--

Operating Temperature Range	-30 – 105 °C[-22 – 221 °F]
-----------------------------	----------------------------

Electrical Characteristics

Nominal Voltage Architecture	12 V
------------------------------	------

Operating Voltage	12 VDC
-------------------	--------

Other

Connector Position Assurance Capable	No
--------------------------------------	----

EU RoHS Compliance	Compliant
--------------------	-----------

EU ELV Compliance	Compliant
-------------------	-----------

Serviceable	Yes
-------------	-----

Dimensions

Product Width	13.9 mm[.547 in]
---------------	------------------

Product Length	21.6 mm[.85 in]
----------------	-----------------

Connector Height	15.9 mm[.626 in]
------------------	------------------

Industry Standards

UL Flammability Rating	UL 94HB
------------------------	---------

Packaging Features

Packaging Quantity	100
--------------------	-----

Packaging Method	Bag
------------------	-----

Product Compliance

[For compliance documentation, visit the product page on TE.com>](#)

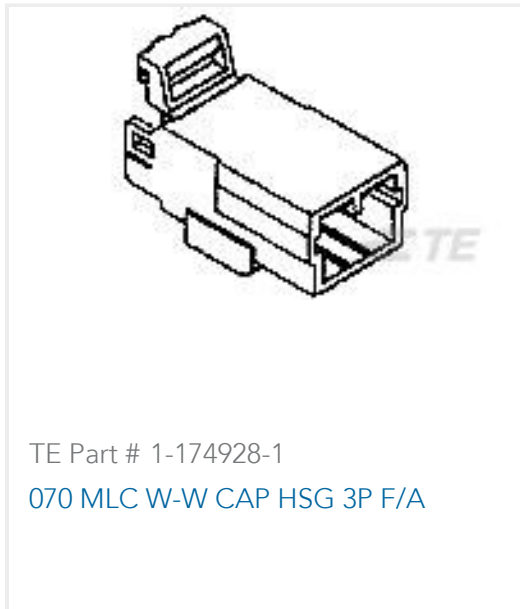
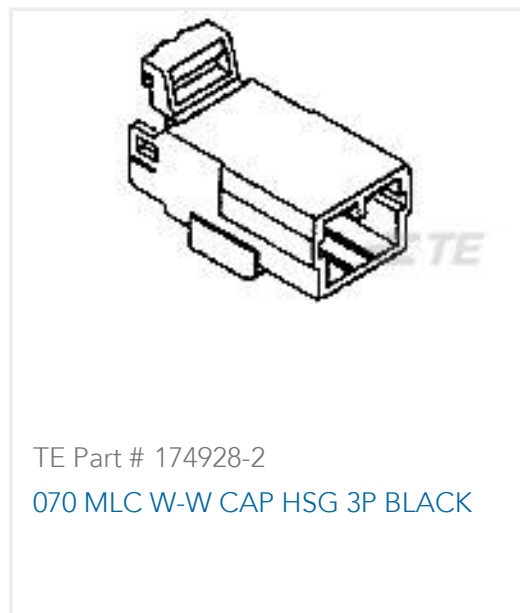
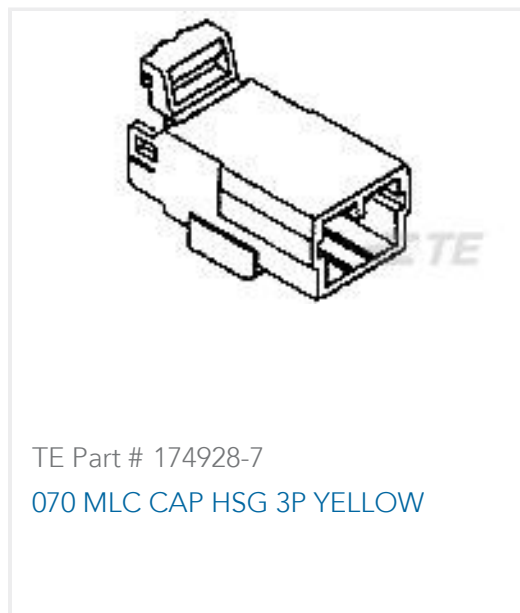
EU RoHS Directive 2011/65/EU	Compliant
EU ELV Directive 2000/53/EC	Compliant
China RoHS 2 Directive MIIT Order No 32, 2016	No Restricted Materials Above Threshold
EU REACH Regulation (EC) No. 1907/2006	Current ECHA Candidate List: JUNE 2024 (241) Candidate List Declared Against: JUNE 2024 (241) Does not contain REACH SVHC
Halogen Content	Low Halogen - Br, Cl, F, I < 900 ppm per homogenous material. Also BFR/CFR/PVC Free
Solder Process Capability	Not applicable for solder process capability

Product Compliance Disclaimer

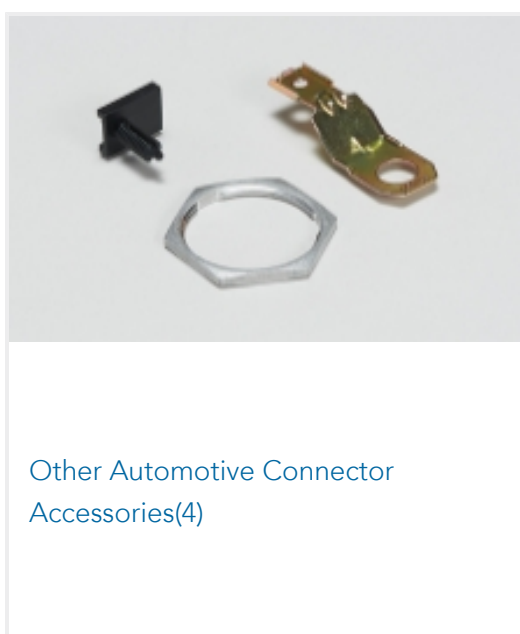
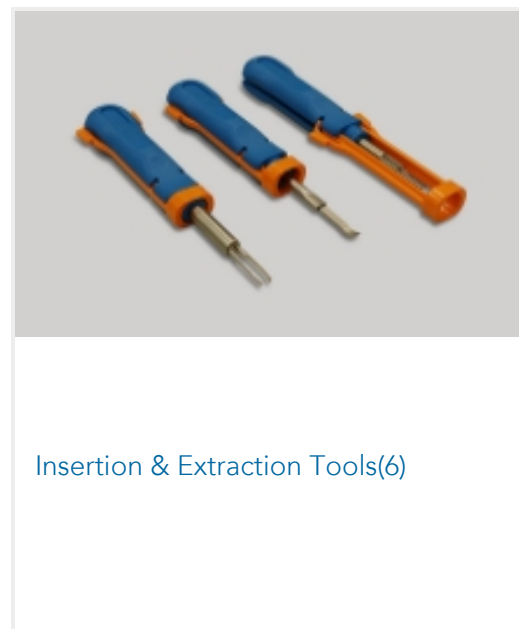
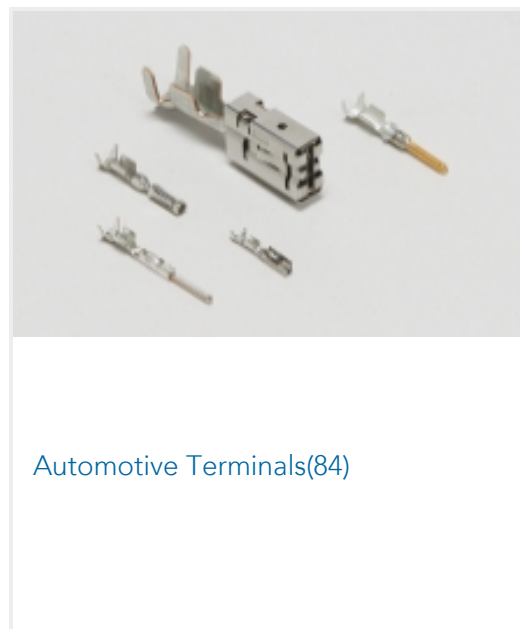
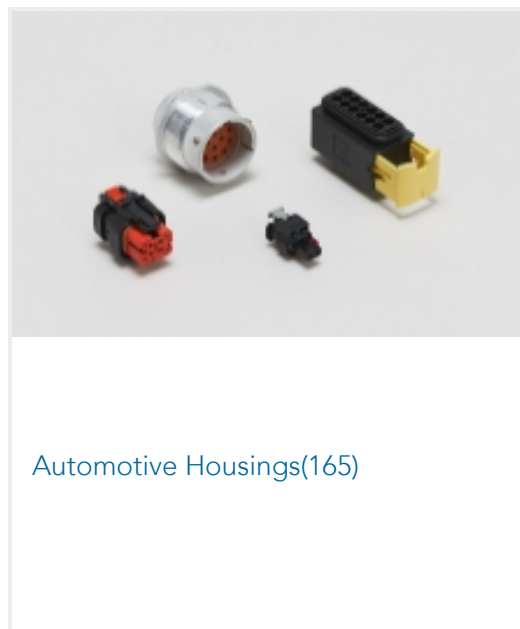
This information is provided based on reasonable inquiry of our suppliers and represents our current actual knowledge based on the information they provided. This information is subject to change. The part numbers that TE has identified as EU RoHS compliant have a maximum concentration of 0.1% by weight in homogenous materials for lead, hexavalent chromium, mercury, PBB, PBDE, DBP, BBP, DEHP, DIBP, and 0.01% for cadmium, or qualify for an exemption to these limits as defined in the Annexes of Directive 2011/65/EU (RoHS2). Finished electrical and electronic equipment products will be CE marked as required by Directive 2011/65/EU. Components may not be CE marked. Additionally, the part numbers that TE has identified as EU ELV compliant have a maximum concentration of 0.1% by weight in homogenous materials for lead, hexavalent chromium, and mercury, and 0.01% for cadmium, or qualify for an exemption to these limits as defined in the Annexes of Directive 2000/53/EC (ELV). Regarding the REACH Regulation, the information TE provides on SVHC in articles for this part number is based on the latest European Chemicals Agency (ECHA) 'Guidance on requirements for substances in articles' posted at this URL: <https://echa.europa.eu/guidance-documents/guidance-on-reach>

Compatible Parts

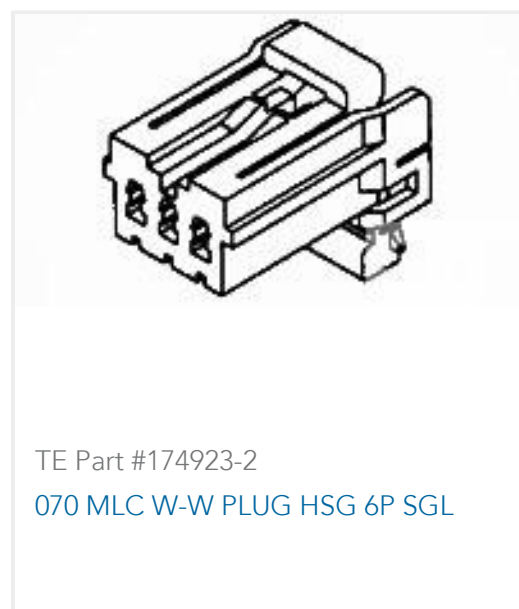
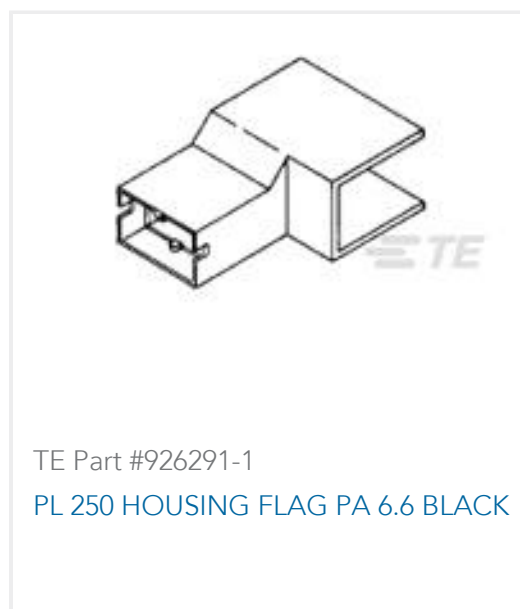


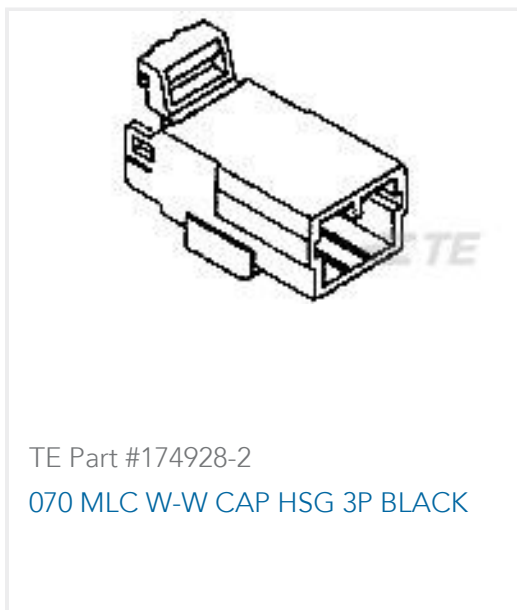


Also in the Series | **Multilock Connector System**

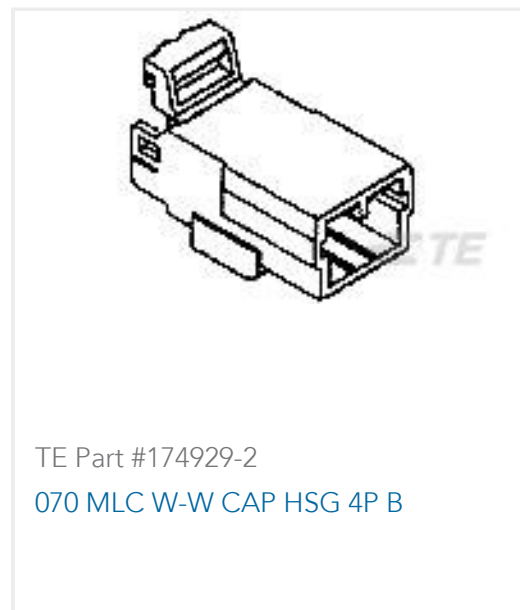


Customers Also Bought





TE Part #174928-2
070 MLC W-W CAP HSG 3P BLACK



TE Part #174929-2
070 MLC W-W CAP HSG 4P B



TE Part #174460-2
070 MULTILOCK 2P CAP HSG



TE Part #2141501-1
3POS, 1.5MM SFC, REC HSG, ASSY,
SEALED, BK



TE Part #9-2177815-3
PIN DIA 3.6, L/N, ASSY

Documents

Product Drawings

[070 MLC W-W PLUG HSG 3P BLACK](#)

English

CAD Files

Customer View Model

[ENG_CVM_CVM_174921-2_G.2d_dxf.zip](#)

English

[3D PDF](#)

3D

Customer View Model

[ENG_CVM_CVM_174921-2_G.3d_igs.zip](#)

English

Customer View Model

[ENG_CVM_CVM_174921-2_G.3d_stp.zip](#)

English

By downloading the CAD file I accept and agree to the [Terms and Conditions](#) of use.

Datasheets & Catalog Pages

[MULTILOCK Connector System](#)

English

Product Specifications

[Application Specification](#)

English

[.070 Series Receptacle Contact](#)

English



Instruction Sheets

Instruction Sheet (non U.S.)

English

AMP Extraction Tool P/N 755430-2 for Extraction 070 Series Cont.

English