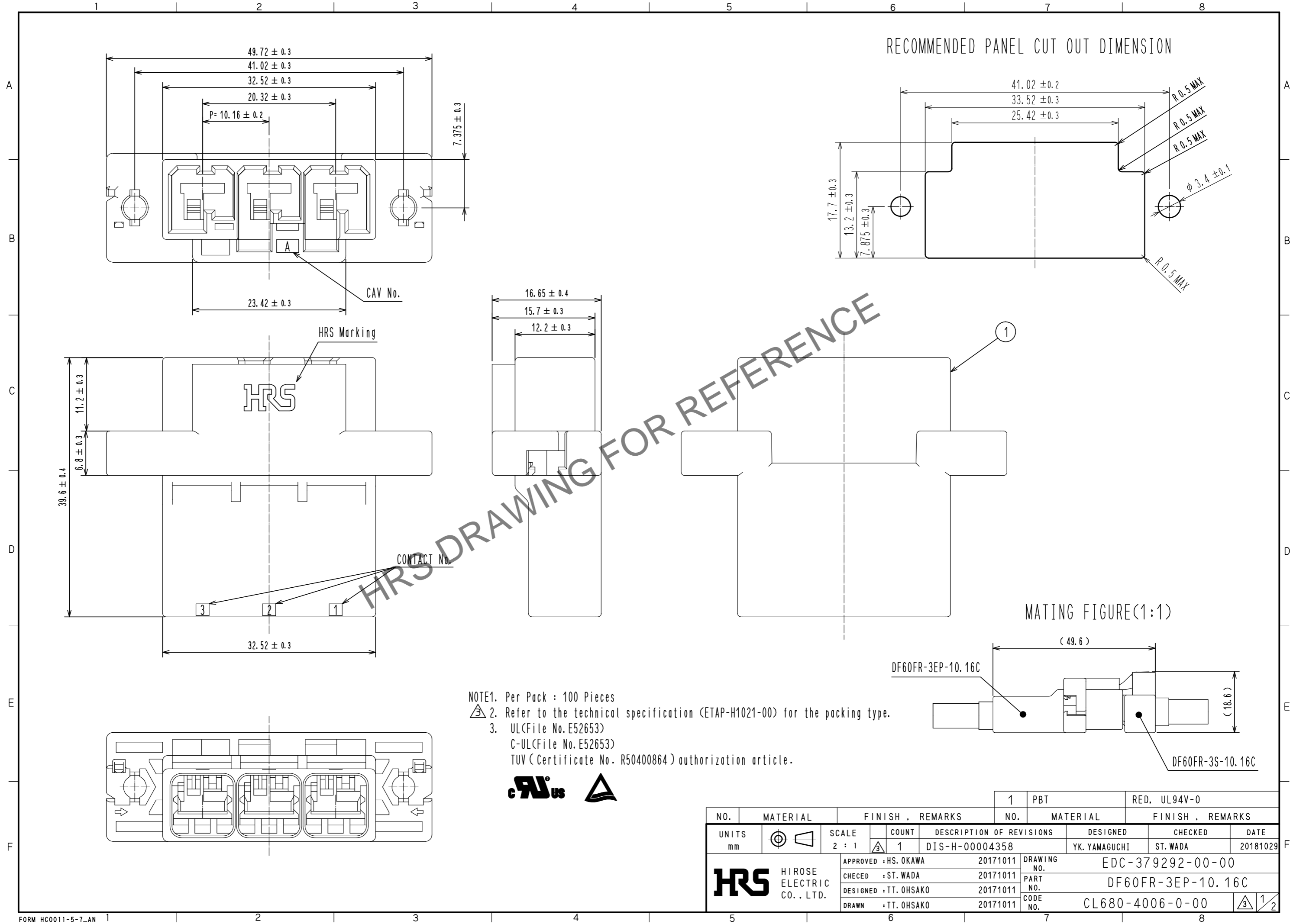


Oct.1.2024 Copyright 2024 HIROSE ELECTRIC CO., LTD. All Rights Reserved.
In case of consideration for using Automotive equipment / device which demand high reliability, kindly contact our sales window correspondents.



NOTE1. Per Pack : 100 Pieces
 2. Refer to the technical specification (ETAP-H1021-00) for the packing type.
 3. UL(File No. E52653)
 C-UL(File No. E52653)
 TUV (Certificate No. R50400864) authorization article.



| NO. | MATERIAL | FINISH . REMARKS | NO. | MATERIAL | FINISH . REMARKS |
|--------------------------------|----------|------------------|---------------------------------|--|---------------------------|
| 1 | PBT | | 1 | RED, UL94V-0 | |
| UNITS mm | | SCALE 2 : 1 | COUNT 1 | DESCRIPTION OF REVISIONS DIS-H-00004358 | DESIGNED YK. YAMAGUCHI |
| APPROVED : HS. OKAWA 20171011 | | | CHECKED ST. WADA | | |
| CHECED : ST. WADA 20171011 | | | DESIGNED : TT. OHSAKO 20171011 | | |
| DESIGNED : TT. OHSAKO 20171011 | | | DRAWN : TT. OHSAKO 20171011 | | |
| DRAWN : TT. OHSAKO 20171011 | | | DRAWING NO. EDC-379292-00-00 | | |
| HRS HIROSE ELECTRIC CO., LTD. | | | PART NO. DF60FR-3EP-10.16C | | |
| | | | CODE NO. CL680-4006-0-00 | | |
| | | | 1/2 | | |

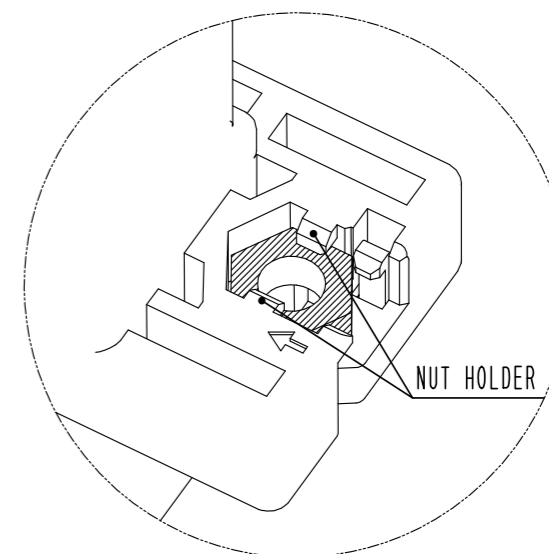
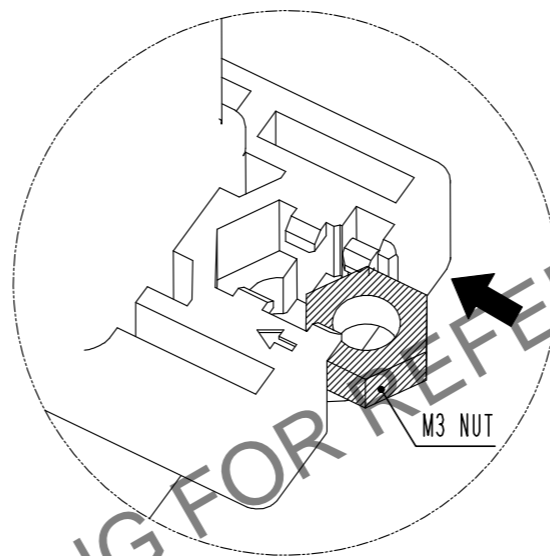
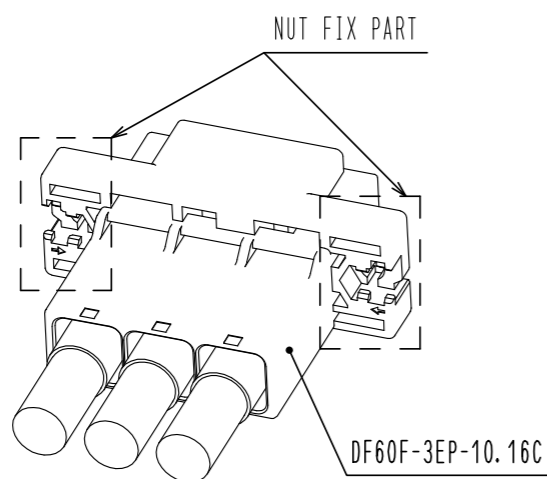
Oct.1.2024 Copyright 2024 HIROSE ELECTRIC CO., LTD. All Rights Reserved.
In case of consideration for using Automotive equipment / device which demand high reliability, kindly contact our sales window correspondents.

DF60F IN-LINE TYPE RECOMMENDED PANEL MOUNTING MANUAL (WHEN NUTS USES)

NUT INSTALLATION PROCESS

1. SLIDE A NUT (SIZE:M3) TO NUT FIX PART.

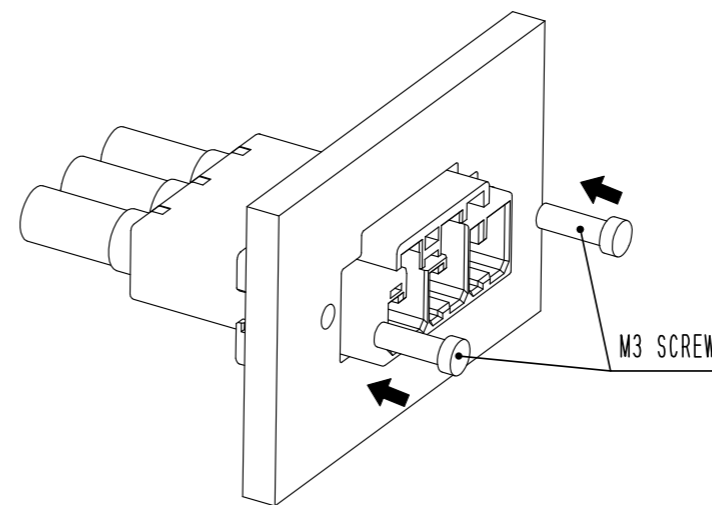
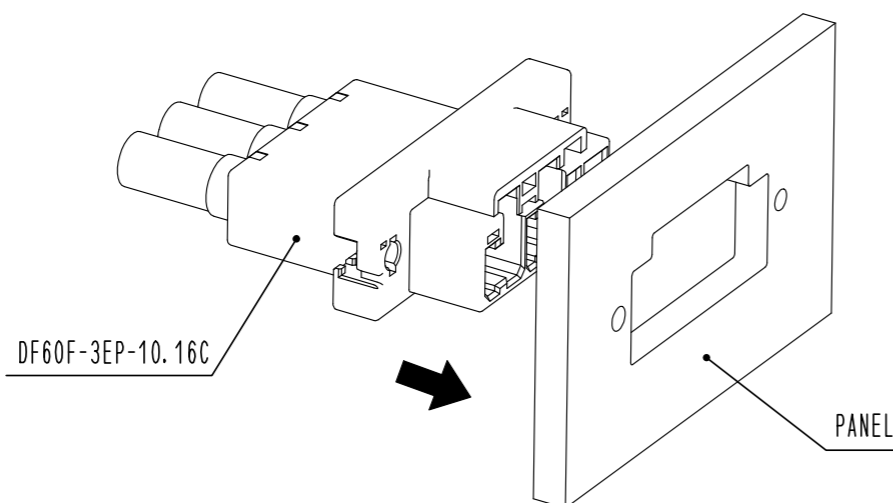
2. PRESS DOWN THE NUT UNTIL IT CLICKS,
THEN THIS SOUND MEANS THE NUT HAS INSERTED
INTO NUT HOLDER.



PANEL MOUNTING PROCESS

1. INSERT CONNECTOR INTO PANEL CUT OUT PART.

2. TIGHTEN A SCREW (SIZE:M3) TO FIX WITH PANEL.
RECOMMENDED TORQUE : LESS THAN 0.49N · m



| | | |
|------------|-------------|-------------------|
| HRS | DRAWING NO. | EDC-379292-00-00 |
| | PART NO. | DF60FR-3EP-10.16C |
| | CODE NO. | CL680-4006-0-00 |
| | | 3/2 |