

# DTP10-4P ✓ ACTIVE

DEUTSCH | DEUTSCH DT, DEUTSCH DTP

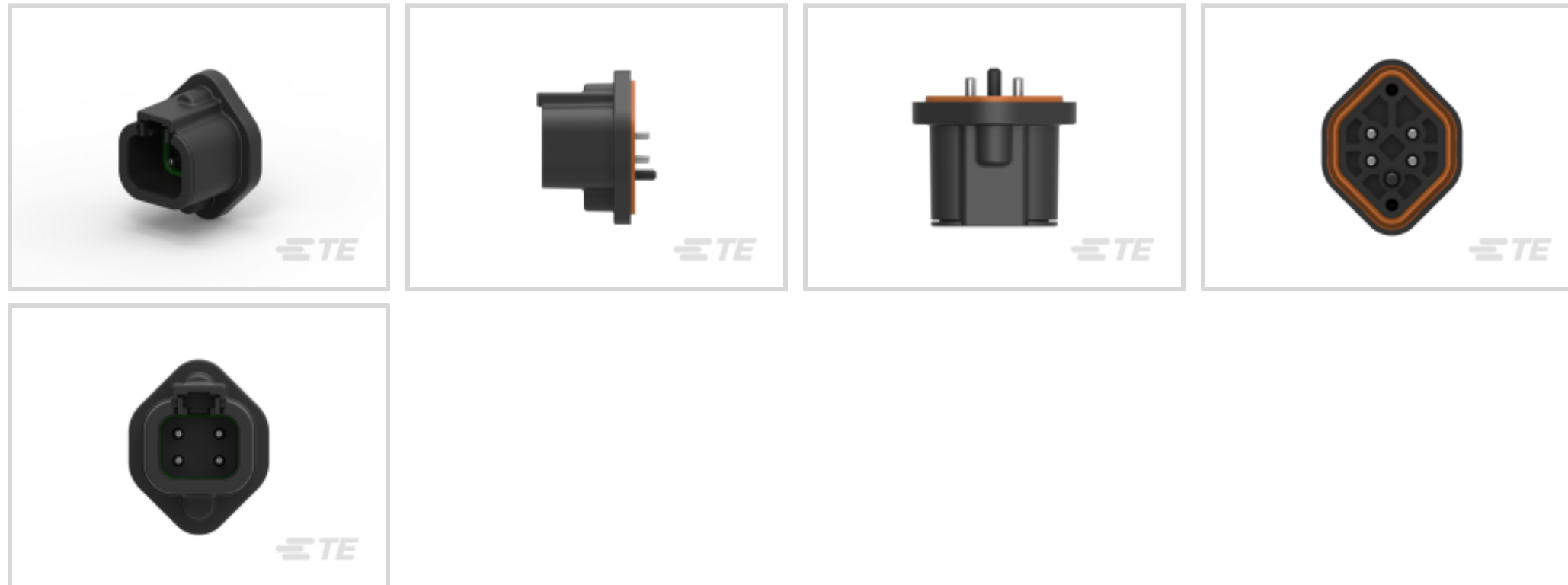
TE Internal #: DTP10-4P

PCB Mount Header, Vertical, Wire-to-Board, 4 Position, 10.16 mm [0.4 in] Centerline, Fully Shrouded, Tin, Through Hole - Solder, Sealable, Hybrid

[View on TE.com >](#)



Connectors > PCB Connectors > PCB Headers & Receptacles > DEUTSCH DTP Headers



EU RoHS Compliance: **Compliant with Exemptions**

EU ELV Compliance: **Compliant with Exemptions**

PCB Connector Assembly Type: **PCB Mount Header**

PCB Mount Orientation: **Vertical**

Connector System: **Wire-to-Board**

[All DEUTSCH DTP Headers \(4\)](#)

## Features

### Other

EU RoHS Compliance	Compliant with Exemptions
EU ELV Compliance	Compliant with Exemptions
Interface Number	DTP04-4P

### Product Type Features

Mixed & Hybrid Header	No
Connector Shape	Rectangular
PCB Connector Assembly Type	PCB Mount Header
Connector System	Wire-to-Board
Header Type	Fully Shrouded
Sealable	Yes
Connector & Contact Terminates To	Wire & Cable

### Configuration Features



Number of Signal Positions	0
Number of Sections	1
PCB Mount Orientation	Vertical
Number of Positions	4
Number of Rows	2

### Electrical Characteristics

Operating Voltage	250 VDC
Voltage Rating (Max)	24 VDC, 48 VDC, 12 VDC
Nominal Voltage Architecture	24 V, 12 V

### Body Features

Primary Product Color	Black
-----------------------	-------

### Contact Features

Mating Pin Diameter	2.39 mm[.094 in]
Contact Size	Size 12
Contact Mating Area Plating Material	Tin
Contact Type	Pin
Contact Current Rating (Max)	25 A

### Termination Features

Termination Method to PCB	Through Hole - Solder
---------------------------	-----------------------

### Mechanical Attachment

Panel Mount Feature	With
Mating Retention Type	Locking Interface
Mounting Holes	With
Mating Retention	With
Mating Alignment Type	Not Keyed
PCB Mount Retention Type	Mounting Screw
PCB Mount Retention	With
PCB Mount Alignment	With
Connector Mounting Type	Panel Mount
Mating Alignment	Without

### Housing Features

Centerline (Pitch)	10.16 mm[.4 in]
--------------------	-----------------



### Dimensions

Connector Width	34.93 mm[1.375 in]
PCB Thickness (Recommended)	.78 – 3.18 mm[.031 – .125 in]
Profile Height from PCB	26.8 mm[1.055 in]
Connector Length	26.8 mm[1.055 in]

### Usage Conditions

Operating Temperature (Max)	125 °C[257 °F]
Operating Temperature Range	-55 – 125 °C[-67 – 257 °F]

### Operation/Application

Shielded	No
Circuit Application	Power

### Industry Standards

IP Rating	IP6K9K, IP68
UL Flammability Rating	Not tested

### Packaging Features

Packaging Quantity	384
Packaging Method	Box

### Product Compliance

[For compliance documentation, visit the product page on TE.com>](#)

EU RoHS Directive 2011/65/EU	Compliant with Exemptions
EU ELV Directive 2000/53/EC	Compliant with Exemptions
China RoHS 2 Directive MIIT Order No 32, 2016	Restricted Materials Above Threshold
EU REACH Regulation (EC) No. 1907/2006	<p>Current ECHA Candidate List: JUNE 2024 (241)</p> <p>Candidate List Declared Against: JUNE 2024 (241)</p> <p>SVHC &gt; Threshold:</p> <p>Octamethylcyclotetrasiloxane (D4) (.5% in Component Part)</p> <p>Dodecamethylcyclohexasiloxane (D6) (.5% in Component Part)</p> <p>Decamethylcyclopentasiloxane (D5) (.5% in Component Part)</p> <p>Pb (1.2% in Component Part)</p> <p><b>Article Safe Usage Statements:</b> Do not eat, drink or smoke when using this product. Wash thoroughly after handling. Recycle if possible and dispose of the article by following all applicable governmental regulations relevant to your geographic location.</p>

Halogen Content	Not Low Halogen - contains Br or Cl > 900 ppm.
-----------------	--

Solder Process Capability	Not reviewed for solder process capability
---------------------------	--

**Product Compliance Disclaimer**

This information is provided based on reasonable inquiry of our suppliers and represents our current actual knowledge based on the information they provided. This information is subject to change. The part numbers that TE has identified as EU RoHS compliant have a maximum concentration of 0.1% by weight in homogenous materials for lead, hexavalent chromium, mercury, PBB, PBDE, DBP, BBP, DEHP, DIBP, and 0.01% for cadmium, or qualify for an exemption to these limits as defined in the Annexes of Directive 2011/65/EU (RoHS2). Finished electrical and electronic equipment products will be CE marked as required by Directive 2011/65/EU. Components may not be CE marked. Additionally, the part numbers that TE has identified as EU ELV compliant have a maximum concentration of 0.1% by weight in homogenous materials for lead, hexavalent chromium, and mercury, and 0.01% for cadmium, or qualify for an exemption to these limits as defined in the Annexes of Directive 2000/53/EC (ELV). Regarding the REACH Regulation, the information TE provides on SVHC in articles for this part number is based on the latest European Chemicals Agency (ECHA) 'Guidance on requirements for substances in articles' posted at this URL: <https://echa.europa.eu/guidance-documents/guidance-on-reach>

## Compatible Parts

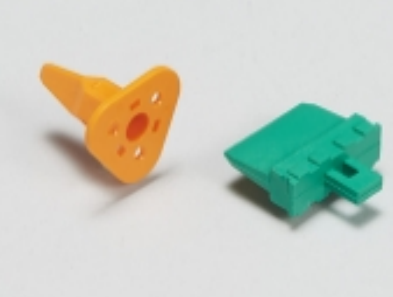


TE Part # CAT-D486-CH8172  
DEUTSCH DTP Housings

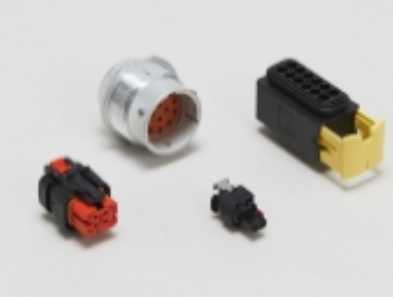
## Also in the Series | DEUTSCH DT




Automotive Connector Caps & Covers (19)




Automotive Connector Locks & Position Assurance (90)




Automotive Housings (737)




Connector Backshells (67)




Connector Caps & Covers (1)



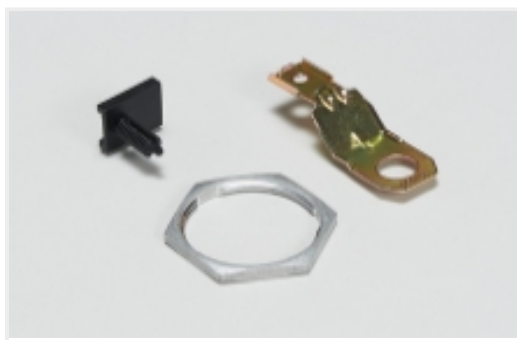
Connector Seals & Cavity Plugs (18)



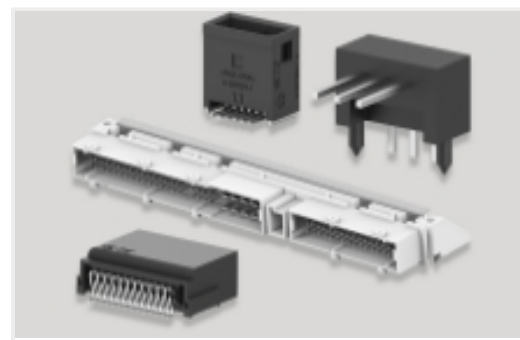
Connector Strain Relief (31)



Insertion & Extraction Tools (3)



Other Automotive Connector Accessories(28)

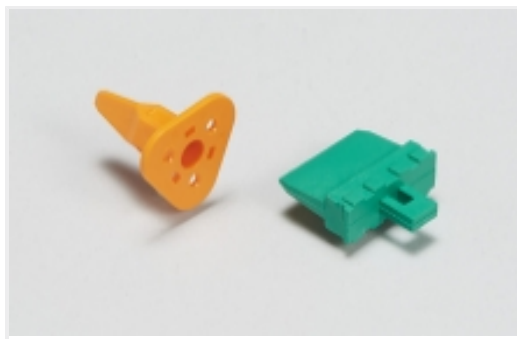


PCB Headers & Receptacles(107)

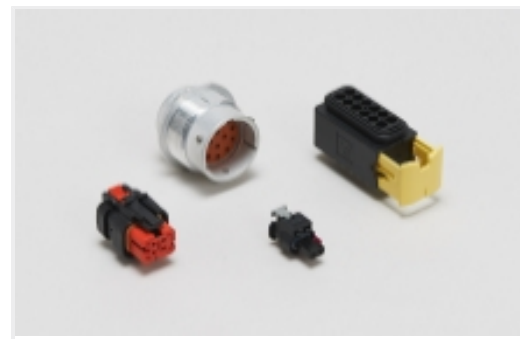


Rectangular Connector Housings(1)

## Also in the Series | DEUTSCH DTP



Automotive Connector Locks & Position Assurance(4)



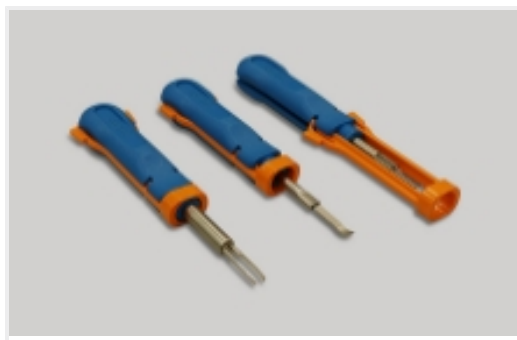
Automotive Housings(34)



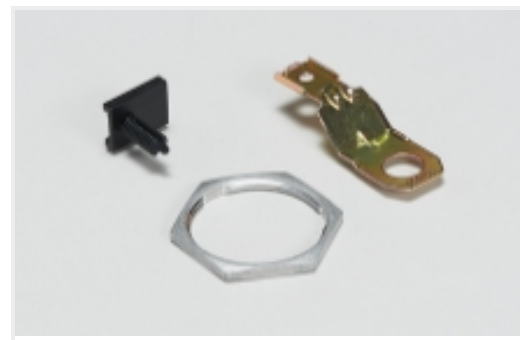
Connector Backshells(5)



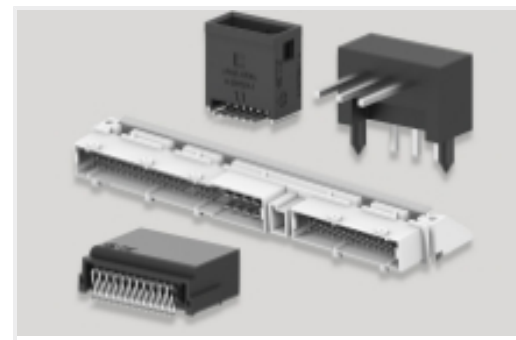
Connector Seals & Cavity Plugs(2)



Insertion & Extraction Tools(3)



Other Automotive Connector Accessories(4)



PCB Headers & Receptacles(5)

## Customers Also Bought



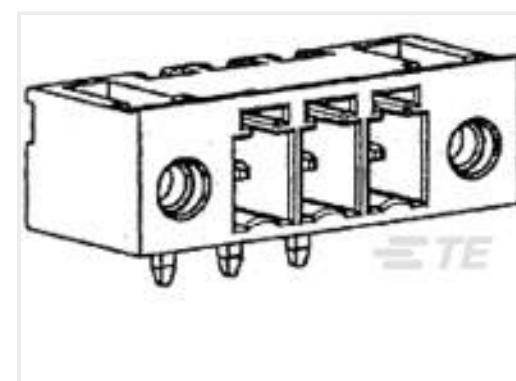
TE Part #DRC20-60P05  
DEUTSCH DRC Headers



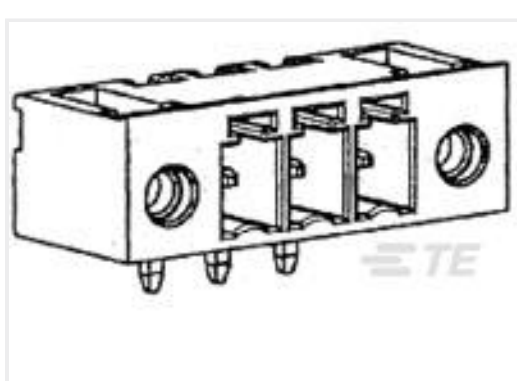
TE Part #DT15-08PB  
HDR, 8P, BLK, ST, NI/CU, B



TE Part #DT04-12PD-BL04  
REC, 12P, BRN, N, ENH KEY, FLANGE, D



TE Part #284539-8  
8 POS TERMI-BLOK 900 W.S.F. 3, D



TE Part #1-284539-2  
12 POS TERMI-BLOK 900 W.S.F. 3, D



TE Part #CONSM002-SMD  
SMA Jack 50 Ohm PCB Surface Mount



TE Part #DTMF15-48P  
HDR, 48P, BLK, ST, NI/CU, ABCD



TE Part #HUM-868-PRO  
Module HUM-PRO 868MHz FHSS FM XCVR



## Documents

### Product Drawings

[HDR, 4P, BLK, ST, SN/NI/CU](#)

English

---

### CAD Files

[3D PDF](#)

3D

Customer View Model

[ENG\\_CVM\\_CVM\\_DTP10-4P\\_B.2d\\_dxf.zip](#)

English

Customer View Model

[ENG\\_CVM\\_CVM\\_DTP10-4P\\_B.3d\\_igs.zip](#)

English

Customer View Model

[ENG\\_CVM\\_CVM\\_DTP10-4P\\_B.3d\\_stp.zip](#)

English

By downloading the CAD file I accept and agree to the [Terms and Conditions](#) of use.

---

### Datasheets & Catalog Pages

[ICT Terminals and Connectors Catalogue](#)

English

[CONNECTOR SELECTOR](#)

English

---

### Product Specifications

[Application Specification](#)

English