

42197-2 ✓ ACTIVE

FASTON | FASTON 205

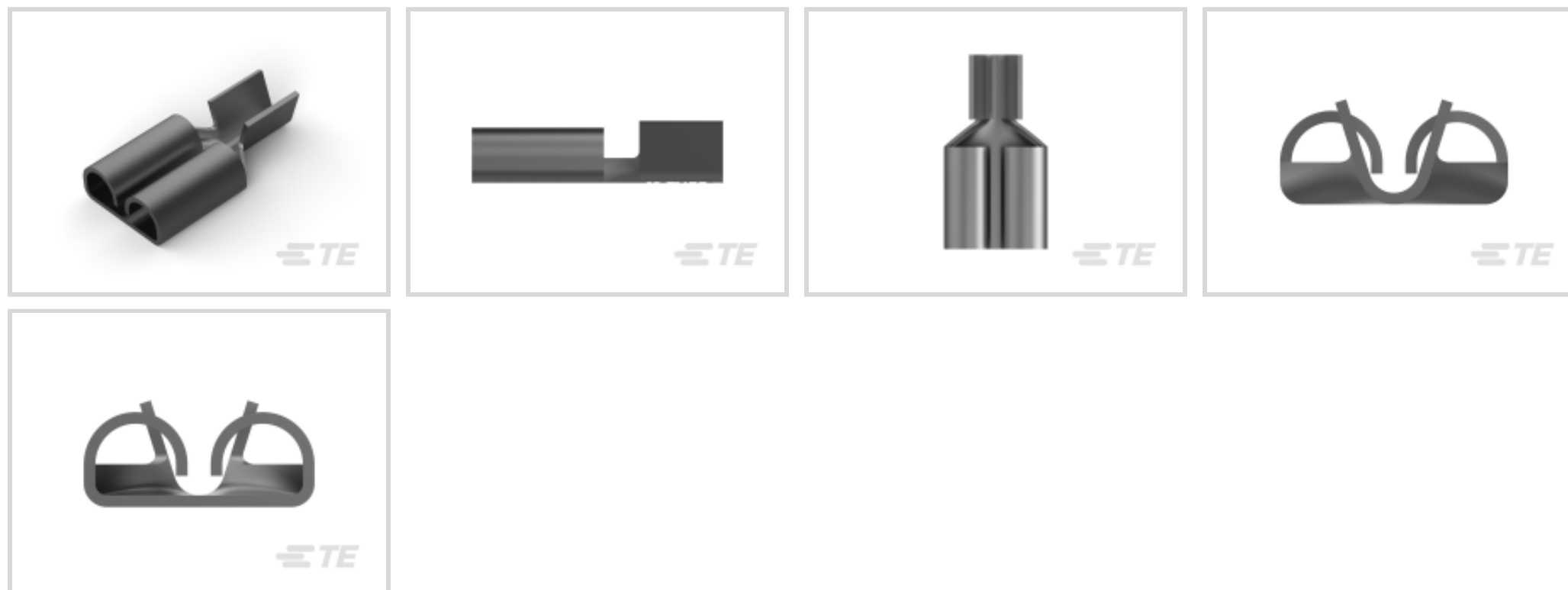
TE Internal #: 42197-2

Receptacle, 22 – 18 AWG Wire Size, .32 – .82 mm<sup>2</sup> Wire Size,  
Mating Tab Width 5.21 mm [.205 in], Straight, Brass, FASTON 205,  
Quick Disconnects

[View on TE.com >](#)



Terminals & Splices > Quick Disconnects



Quick Disconnect Terminal Type: **Receptacle**

Wire Size: .32 – .82 mm<sup>2</sup>

Mating Tab Width: 5.21 mm [.205 in]

Mating Tab Thickness: .51 mm [.02 in]

## Features

### Contact Features

Quick Disconnect Terminal Type	Receptacle
Mating Tab Width	5.21 mm [.205 in]
Mating Tab Thickness	.51 mm [.02 in]
Terminal Orientation	Straight
Contact Base Material	Brass
Terminal Plating Material	Tin
Crimp Type	F-Crimp
Barrel Type	Open

### Dimensions

Wire Size	.32 – .82 mm <sup>2</sup>
Product Length	11.88 mm [.468 in]
Terminal Material Thickness	.33 mm [.013 in]

### Packaging Features

Packaging Method	Strip/Reel
Packaging Quantity	20000



### Product Type Features

Insertion Force	Normal
-----------------	--------

### Usage Conditions

Insulation Option	Uninsulated
Operating Temperature Range	-40 – 110 °C[-40 – 230 °F]

### Other

EU RoHS Compliance	Compliant
EU ELV Compliance	Compliant
Line	Premier

### Configuration Features

Compatible With Wire & Cable Type	Discrete Wire
Connection Capacity	Single

### Termination Features

Product Terminates To	Wire & Cable
-----------------------	--------------

### Mechanical Attachment

Wire Insulation Support	Without
Mating Retention Type	Dimple

### Industry Standards

Compatible With Agency/Standards Products	UL, CSA
---	---------

## Product Compliance

[For compliance documentation, visit the product page on TE.com>](#)

EU RoHS Directive 2011/65/EU	Compliant
EU ELV Directive 2000/53/EC	Compliant
China RoHS 2 Directive MIIT Order No 32, 2016	No Restricted Materials Above Threshold
EU REACH Regulation (EC) No. 1907/2006	Current ECHA Candidate List: JUNE 2024 (241) Candidate List Declared Against: JUNE 2024 (241) Does not contain REACH SVHC
Halogen Content	Low Halogen - Br, Cl, F, I < 900 ppm per homogenous material. Also BFR/CFR/PVC Free
Solder Process Capability	Not applicable for solder process capability

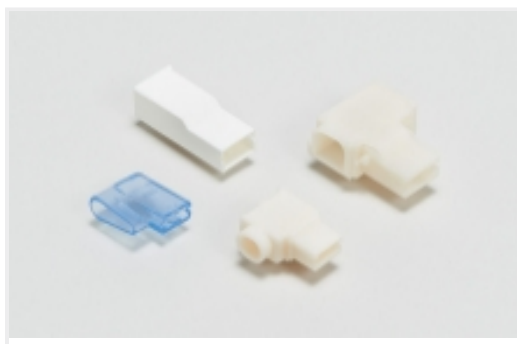
## Product Compliance Disclaimer

This information is provided based on reasonable inquiry of our suppliers and represents our current actual knowledge based on the information they provided. This information is subject to change. The part numbers that TE has identified as EU RoHS compliant have a maximum concentration of 0.1% by weight in homogenous materials for lead, hexavalent chromium, mercury, PBB, PBDE, DBP, BBP, DEHP, DIBP, and 0.01% for cadmium, or qualify for an exemption to these limits as defined in the Annexes of Directive 2011/65/EU (RoHS2). Finished electrical and electronic equipment products will be CE marked as required by Directive 2011/65/EU. Components may not be CE marked. Additionally, the part numbers that TE has identified as EU ELV compliant have a maximum concentration of 0.1% by weight in homogenous materials for lead, hexavalent chromium, and mercury, and 0.01% for cadmium, or qualify for an exemption to these limits as defined in the Annexes of Directive 2000/53/EC (ELV). Regarding the REACH Regulation, the information TE provides on SVHC in articles for this part number is based on the latest European Chemicals Agency (ECHA) 'Guidance on requirements for substances in articles' posted at this URL: <https://echa.europa.eu/guidance-documents/guidance-on-reach>

## Compatible Parts



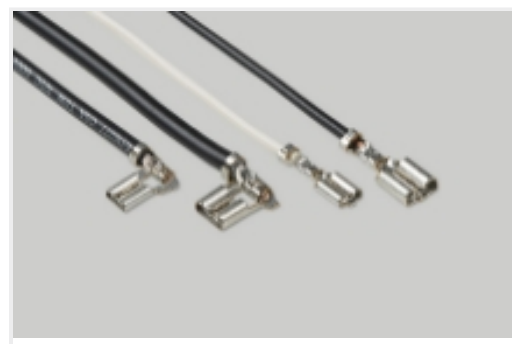
Also in the Series | **FASTON 205**



Crimp Terminal Housings(3)

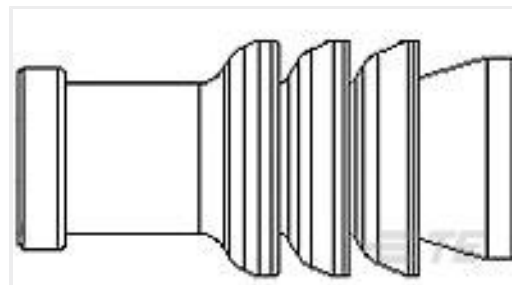
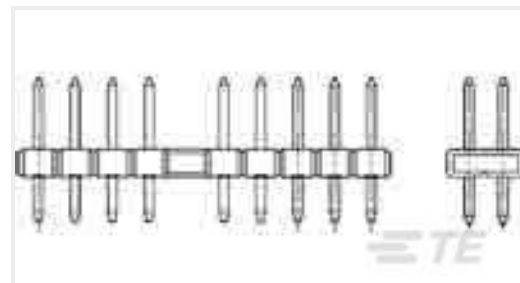


PCB Terminals(10)



Quick Disconnects(35)

## Customers Also Bought

TE Part #DTM04-2P  
REC, 2P, GRY, NTE Part #640456-6  
06P MTA100 HDR ASSY F/L SQ STRTE Part #967067-1  
MQS SGL WIRE SEALTE Part #60938-2  
250 FASTON REC 18-14 AWG TPBRTE Part #1-1456426-6  
4POS, MCON 1.2 CB REC 2p TL  
SEALEDTE Part #5176264-9  
AMPMODU 2MM V 20P AU:0.2 BLACK  
LFTE Part #1-1393771-3  
JWD-171-20=REED RELAYSTE Part #5-965982-1  
TAB 2.8x0.8 CONTACT CF SWS SnTE Part #184400-1  
2X2 PLUG ASSY, G KEY, CLASS 3,TE Part #184349-1  
2X2 PLG ASY KEY B C3

## Documents

### Product Drawings

[205 FASTON REC 22-18 AWG TPBR](#)

English

### CAD Files

[3D PDF](#)

3D

### Customer View Model

[ENG\\_CVM\\_CVM\\_42197-2\\_AS.2d\\_dxf.zip](#)



English

**Customer View Model**

[ENG\\_CVM\\_CVM\\_42197-2\\_AS.3d\\_igs.zip](#)

English

**Customer View Model**

[ENG\\_CVM\\_CVM\\_42197-2\\_AS.3d\\_stp.zip](#)

English

By downloading the CAD file I accept and agree to the [Terms and Conditions](#) of use.

---

## Datasheets & Catalog Pages

[FASTON Tabs](#)

English

---

## Product Specifications

[Application Specification](#)

English

---

## Agency Approvals

[UL Report](#)

English