

1-1718624-1 ✓ ACTIVE

[AMP MCP](#) | [AMP MCP 2.8](#)

TE Internal #: 1-1718624-1

Housing for Female Terminals, Wire-to-Wire, 2 Position, 5 mm [.196 in] Centerline, Sealable, Black, Wire & Cable, Power, AMP MCP 2.8

[View on TE.com >](#)



Connectors > Automotive Connectors > Automotive Housings > AMP MCP, SEALED CONNECTOR HOUSING



Connector System: **Wire-to-Wire**

Number of Positions: **2**

Connector & Housing Type: **Housing for Female Terminals**

Centerline (Pitch): **5 mm [.196 in]**

Sealable: **Yes**

[All AMP MCP, SEALED CONNECTOR HOUSING \(130\)](#)

## Features

### Product Type Features

Connector System	Wire-to-Wire
Connector & Housing Type	Housing for Female Terminals
Sealable	Yes
Connector & Contact Terminates To	Wire & Cable
Primary Locking Feature	On the Terminal
Mixed & Hybrid Connector	No
Connector Shape	Rectangular

### Configuration Features

Number of Positions	2
Number of Rows	1

### Housing Features

Centerline (Pitch)	5 mm [.196 in]
Housing Material	PA GF

### Contact Features

Mating Tab Width	2.8 mm [.11 in]
Contact Current Rating (Max)	34 A
Contact Size	2.8mm



Contact Type

Receptacle

### Body Features

Primary Product Color

Black

Connector &amp; Keying Code

A

Cable Exit Angle

180°

### Operation/Application

Circuit Application

Power

### Mechanical Attachment

Connector Mounting Type

Cable Mount (Free-Hanging)

Strain Relief

Without

Terminal Position Assurance

Yes

Mating Alignment Type

Keyed

Mating Alignment

With

### Usage Conditions

Operating Temperature (Max)

130 °C, 125 °C, 80 °C, 105 °C, 100 °C, 90 °C, 85 °C, 75 °C, 70 °C, 110 °C, 120 °C[248 °F][221 °F][167 °F][158 °F][230 °F][176 °F][194 °F][185 °F][212 °F][266 °F][257 °F]

Operating Temperature Range

-40 – 130 °C[-40 – 266 °F]

### Electrical Characteristics

Nominal Voltage Architecture

24 V, 12 V

Operating Voltage

12 VDC

### Other

Connector Position Assurance Capable

Yes

EU RoHS Compliance

Compliant

EU ELV Compliance

Compliant

Serviceable

Yes

### Dimensions

Product Width

31.75 mm[1.25 in]

Product Length

23.6 mm[.929 in]

Connector Height

17.6 mm[.693 in]

### Packaging Features

Packaging Method

Loose Piece



Packaging Quantity

1000

### Product Compliance

[For compliance documentation, visit the product page on TE.com>](#)

EU RoHS Directive 2011/65/EU	Compliant
EU ELV Directive 2000/53/EC	Compliant
China RoHS 2 Directive MIIT Order No 32, 2016	No Restricted Materials Above Threshold
EU REACH Regulation (EC) No. 1907/2006	Current ECHA Candidate List: JUNE 2024 (241) Candidate List Declared Against: JUNE 2024 (241) Does not contain REACH SVHC
Halogen Content	BFR/CFR/PVC Free, but Br/Cl >900 ppm in other sources.
Solder Process Capability	Not applicable for solder process capability

#### Product Compliance Disclaimer

This information is provided based on reasonable inquiry of our suppliers and represents our current actual knowledge based on the information they provided. This information is subject to change. The part numbers that TE has identified as EU RoHS compliant have a maximum concentration of 0.1% by weight in homogenous materials for lead, hexavalent chromium, mercury, PBB, PBDE, DBP, BBP, DEHP, DIBP, and 0.01% for cadmium, or qualify for an exemption to these limits as defined in the Annexes of Directive 2011/65/EU (RoHS2). Finished electrical and electronic equipment products will be CE marked as required by Directive 2011/65/EU. Components may not be CE marked. Additionally, the part numbers that TE has identified as EU ELV compliant have a maximum concentration of 0.1% by weight in homogenous materials for lead, hexavalent chromium, and mercury, and 0.01% for cadmium, or qualify for an exemption to these limits as defined in the Annexes of Directive 2000/53/EC (ELV). Regarding the REACH Regulation, the information TE provides on SVHC in articles for this part number is based on the latest European Chemicals Agency (ECHA) 'Guidance on requirements for substances in articles' posted at this URL: <https://echa.europa.eu/guidance-documents/guidance-on-reach>

### Compatible Parts



Also in the Series | [AMP MCP 2.8](#)



Automotive Connector Caps & Covers (1)



Automotive Connector Locks & Position Assurance (5)



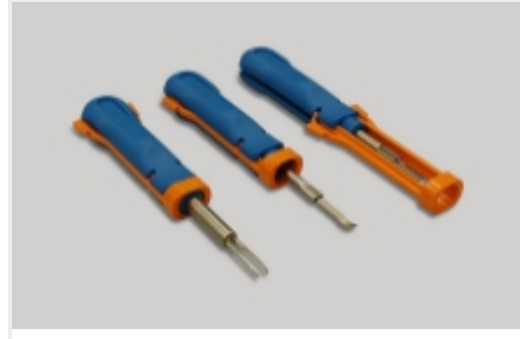
Automotive Housings (162)



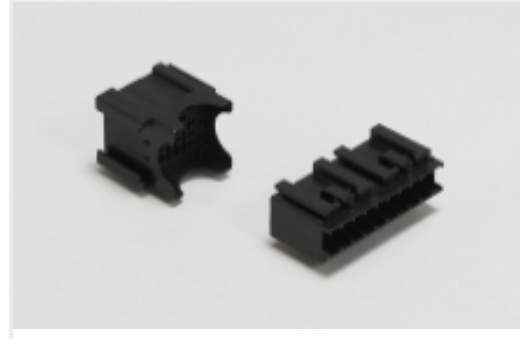
Automotive Terminals (53)



Connector Seals & Cavity Plugs (3)



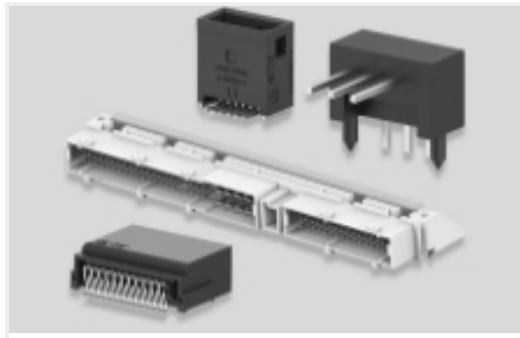
Insertion & Extraction Tools (6)



Module Components (1)



Other Automotive Connector Accessories (1)

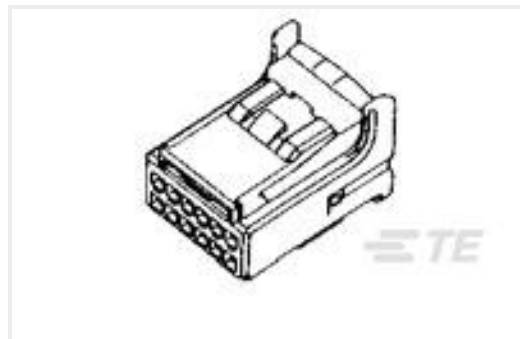


PCB Headers & Receptacles (1)

## Customers Also Bought



TE Part #1-1670918-1  
4POS, MCON 1.2 LL REC SEALED



TE Part #1318774-2  
025 ECU PLUG HSG ASY 12P BLACK



TE Part #2-929941-1  
JPT REC 2.8 Contact SWS Au



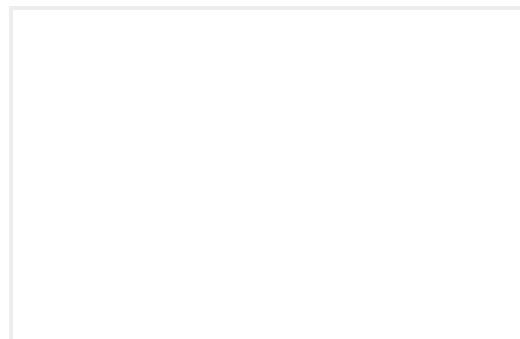
TE Part #1-1924067-5  
2POS, MCON 1.2 CB REC 2p TL SEALED



TE Part #2103155-2  
COLLET, SIZE 2, HVA280



TE Part #2177790-1  
CABLE FIXATION,TE,COVER INLET



TE Part #9-2177810-1  
PIN DIA 6.0, L/N, ASSY



TE Part #9-2177814-2  
PIN DIA 3.0, PP



## Documents

### Product Drawings

[2 POS HSG AMP MCP 2.8 ASSY](#)

English

### CAD Files

[3D PDF](#)

3D

Customer View Model

[ENG\\_CVM\\_CVM\\_1-1718624-1\\_C.2d\\_dxf.zip](#)

English

Customer View Model

[ENG\\_CVM\\_CVM\\_1-1718624-1\\_C.3d\\_igs.zip](#)

English

Customer View Model

[ENG\\_CVM\\_CVM\\_1-1718624-1\\_C.3d\\_stp.zip](#)

English

By downloading the CAD file I accept and agree to the [Terms and Conditions](#) of use.

### Product Specifications

[Application Specification](#)

English

### Instruction Sheets

[Instruction Sheet \(non U.S.\)](#)

French