



TE Internal #: 2291579-1

zSFP+, Cage Assembly, Signal, Operating Temperature Range -55 – 105 °C [-67 – 221 °F], Data Rate (Max) 32 Gb/s, 1 Ports

[View on TE.com >](#)

Connectors > Pluggable IO Connectors & Cages > zSFP+ Cage Assembly: EMI Springs



Pluggable I/O Product Type: **Cage Assembly**

Sealable: **No**

Circuit Application: **Signal**

Operating Temperature Range: **-55 – 105 °C [-67 – 221 °F]**

Data Rate (Max): **32 Gb/s**

[All zSFP+ Cage Assembly: EMI Springs \(24\)](#)

## Features

### Product Type Features

Pluggable I/O Product Type	Cage Assembly
Sealable	No
Form Factor	zSFP+
Cage Type	Single

### Operation/Application

Circuit Application	Signal
Pluggable I/O Applications	zSFP+ Thermally Enhanced
Heat Sink Compatible	No

### Usage Conditions

Operating Temperature Range	-55 – 105 °C[-67 – 221 °F]
-----------------------------	----------------------------

### Electrical Characteristics

Data Rate (Max)	32 Gb/s
-----------------	---------

### Configuration Features

Number of Ports	1
Port Matrix Configuration	1 x 1

### Other

Included Lightpipe	No
--------------------	----



EMI Containment Feature Type	Internal/External EMI Springs
EU RoHS Compliance	Compliant
EU ELV Compliance	Compliant

### Termination Features

Termination Method to PCB	Through Hole - Press-Fit
Termination Post & Tail Length	3 mm[.118 in]

### Housing Features

Cage Material	Nickel Silver Alloy
---------------	---------------------

### Dimensions

PCB Thickness (Recommended)	1.5 mm[.059 in]
-----------------------------	-----------------

### Packaging Features

Packaging Method	Tray
------------------	------

## Product Compliance

[For compliance documentation, visit the product page on TE.com>](#)

EU RoHS Directive 2011/65/EU	Compliant
EU ELV Directive 2000/53/EC	Compliant
China RoHS 2 Directive MIIT Order No 32, 2016	No Restricted Materials Above Threshold
EU REACH Regulation (EC) No. 1907/2006	Current ECHA Candidate List: JUNE 2024 (241) Candidate List Declared Against: JUNE 2024 (241) Does not contain REACH SVHC
Halogen Content	Low Halogen - Br, Cl, F, I < 900 ppm per homogenous material. Also BFR/CFR/PVC Free
Solder Process Capability	Not applicable for solder process capability

#### Product Compliance Disclaimer

This information is provided based on reasonable inquiry of our suppliers and represents our current actual knowledge based on the information they provided. This information is subject to change. The part numbers that TE has identified as EU RoHS compliant have a maximum concentration of 0.1% by weight in homogenous materials for lead, hexavalent chromium, mercury, PBB, PBDE, DBP, BBP, DEHP, DIBP, and 0.01% for cadmium, or qualify for an exemption to these limits as defined in the Annexes of Directive 2011/65/EU (RoHS2). Finished electrical and electronic equipment products will be CE marked as required by Directive 2011/65/EU. Components may not be CE marked. Additionally, the part numbers that TE has identified as EU ELV compliant have a maximum concentration of 0.1% by weight in homogenous materials for lead, hexavalent chromium, and mercury, and 0.01% for cadmium, or qualify for an exemption to these limits as defined in the Annexes of Directive 2000/53/EC (ELV). Regarding the REACH Regulation, the information TE provides

on SVHC in articles for this part number is based on the latest European Chemicals Agency (ECHA) 'Guidance on requirements for substances in articles' posted at this URL: <https://echa.europa.eu/guidance-documents/guidance-on-reach>

## Compatible Parts



TE Part # CAT-C11-N490333  
QSFP28-Four SFP+ Cable Assembly: 30 AWG



TE Part # CAT-C11-N490325  
QSFP28-Four SFP+ Cable Assembly: 26 AWG



TE Part # 2334985-2  
SFP28 DIRECT ATTACH CA, 1M, 32AWG



TE Part # CAT-C11-N4901114  
SFP28 to SFP28 Cable Assembly: 30 AWG



TE Part # CAT-C11-N49011  
SFP28 to SFP28 Cable Assembly: 26 AWG



TE Part # CAT-Q17-N49011  
QSFP56-Four SFP56 Cable Assembly: 30 AWG



TE Part # CAT-Q17-N490333  
QSFP56-Four SFP56 Cable Assembly: 26 AWG



TE Part # 4-2821224-5  
SFP56 DIRECT ATTACH CA, 3M, 26AWG



TE Part # 4-2334985-2  
SFP56 DIRECT ATTACH CA, 1M, 32AWG



TE Part # CAT-C11-N490111  
SFP28 to SFP28 Cable Assembly: 28 AWG



TE Part # 4-2821222-5  
SFP56 DIRECT ATTACH CA, 2M, 30AWG



TE Part # 2215077-1  
ASSY, SEATING TOOL ZSFP+

## Customers Also Bought



TE Part #5413631-1  
JACK,RTANG, PCB,50 OHM, BNC



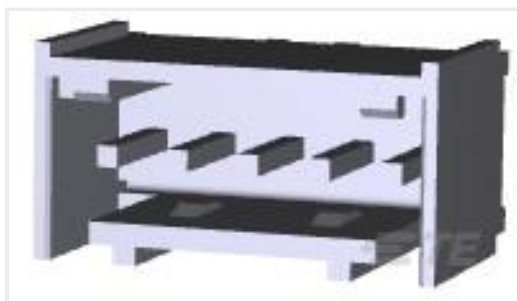
TE Part #3-644563-7  
07P MTA100 CONN ASSY F/T 24AWG



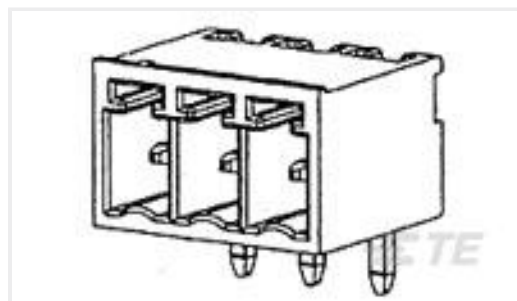
TE Part #F01667-000  
WP-191064-10-9



TE Part #6368150-3  
MJ,TE,8P,CAT5,SHIELDED



TE Part #2-647123-4  
04P MTA156 SHRD HDR ASSY SQ SN



TE Part #284513-4  
4 POS TERMI-BLOK HDR 900 POL.



TE Part #8-2176362-5  
RQ 0402 301R 0.1% 10PPM 5K RL



TE Part #2170703-1  
CAGE ASSEMBLY, QSFP28 1X1,  
SPRING



TE Part #1-1658622-3  
44 NOVO MIL/CTR 30DP, LEAD FREE

## Documents

### Product Drawings

[ZSFP+ 1X1 CAGE ASSEMBLY, PCI, PRESS-FIT,](#)

English

### CAD Files

[3D PDF](#)

3D

Customer View Model

[ENG\\_CVM\\_CVM\\_2291579-1\\_A.2d\\_dxf.zip](#)

English

Customer View Model

[ENG\\_CVM\\_CVM\\_2291579-1\\_A.3d\\_igs.zip](#)

English

Customer View Model

[ENG\\_CVM\\_CVM\\_2291579-1\\_A.3d\\_stp.zip](#)

English

By downloading the CAD file I accept and agree to the [Terms and Conditions](#) of use.

### Datasheets & Catalog Pages

[zSFP+ Interconnect Brochure](#)

English

### Product Specifications

[Application Specification](#)

English