

60794-2 ✓ ACTIVE

FASTIN-FASTON | FASTIN-FASTON 250

TE Internal #: 60794-2

Receptacle, 16 – 14 AWG Wire Size, 1.31 – 2.08 mm² Wire Size,
Mating Tab Width 6.35 mm [.25 in], Straight, Brass, FASTIN-
FASTON 250, Quick Disconnects

[View on TE.com >](#)



Terminals & Splices > Quick Disconnects



Quick Disconnect Terminal Type: **Receptacle**

Wire Size: **1.31 – 2.08 mm²**

Mating Tab Width: **6.35 mm [.25 in]**

Mating Tab Thickness: **.81 mm [.032 in]**

Features

Contact Features

Quick Disconnect Terminal Type	Receptacle
Mating Tab Width	6.35 mm [.25 in]
Mating Tab Thickness	.81 mm [.032 in]
Terminal Orientation	Straight
Contact Base Material	Brass
Terminal Plating Material	Tin
Crimp Type	F-Crimp
Barrel Type	Open

Dimensions

Wire Size	1.31 – 2.08 mm ²
Product Length	27.4 mm [1.078 in]
Compatible Insulation Diameter Range	2.29 – 3.3 mm [.09 – .13 in]
Terminal Material Thickness	.33 mm [.013 in]

Packaging Features

Packaging Method	Strip/Reel
------------------	------------



Packaging Quantity	3000
--------------------	------

Usage Conditions

Insulation Option	Uninsulated
Operating Temperature Range	-40 – 110 °C[-40 – 230 °F]

Other

EU RoHS Compliance	Compliant
EU ELV Compliance	Compliant

Product Type Features

Compatible With Discrete Wire Type	Stranded
------------------------------------	----------

Configuration Features

Connection Capacity	Single
---------------------	--------

Termination Features

Product Terminates To	Wire & Cable
-----------------------	--------------

Mechanical Attachment

Wire Insulation Support	With
Mating Retention Type	Dimple

Industry Standards

Compatible With Agency/Standards Products	UL
---	----

Product Compliance

[For compliance documentation, visit the product page on TE.com>](#)

EU RoHS Directive 2011/65/EU	Compliant
EU ELV Directive 2000/53/EC	Compliant
China RoHS 2 Directive MIIT Order No 32, 2016	No Restricted Materials Above Threshold
EU REACH Regulation (EC) No. 1907/2006	Current ECHA Candidate List: JUNE 2024 (241) Candidate List Declared Against: JUNE 2024 (241) Does not contain REACH SVHC
Halogen Content	Low Halogen - Br, Cl, F, I < 900 ppm per homogenous material. Also BFR/CFR/PVC Free
Solder Process Capability	Not applicable for solder process capability

Product Compliance Disclaimer

This information is provided based on reasonable inquiry of our suppliers and represents our current actual knowledge based on the information they provided. This information is subject to change. The part numbers that TE has identified as EU RoHS compliant have a maximum concentration of 0.1% by weight in homogenous materials for lead, hexavalent chromium, mercury, PBB, PBDE, DBP, BBP, DEHP, DIBP, and 0.01% for cadmium, or qualify for an exemption to these limits as defined in the Annexes of Directive 2011/65/EU (RoHS2). Finished electrical and electronic equipment products will be CE marked as required by Directive 2011/65/EU. Components may not be CE marked. Additionally, the part numbers that TE has identified as EU ELV compliant have a maximum concentration of 0.1% by weight in homogenous materials for lead, hexavalent chromium, and mercury, and 0.01% for cadmium, or qualify for an exemption to these limits as defined in the Annexes of Directive 2000/53/EC (ELV). Regarding the REACH Regulation, the information TE provides on SVHC in articles for this part number is based on the latest European Chemicals Agency (ECHA) 'Guidance on requirements for substances in articles' posted at this URL: <https://echa.europa.eu/guidance-documents/guidance-on-reach>

Compatible Parts



TE Part # 42475-4
250 FASTON TAB 22-18 AWG TPBR



TE Part # 61281-3
250 FASTON TAB 14-12 AWG TPBR



TE Part # 42770-2
250 FASTON FLAG TAB 18-14 AWG TPBR



TE Part # 63165-2
FASTON 110 AMPLIVAR TAB 23-19 MAG TPBR



TE Part # 61367-3
250 FASTON TAB 18-14 AWG TPBR



TE Part # 42475-2
250 FASTON TAB 22-18 AWG TPBR



TE Part # 42474-4
250 FASTON TAB 18-14 AWG TPBR



TE Part # 42475-3
250 FASTON TAB 22-18 AWG BR

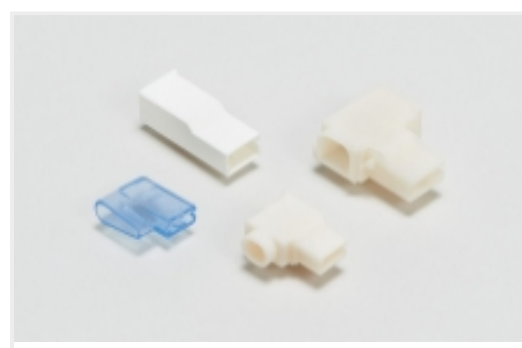


TE Part # 180353-2
250 FASTON, TAB, 12-10 AWG, TPBR



TE Part # 180353-1
250 FASTON, TAB, 12-10 AWG, BR

Also in the Series | **FASTIN-FASTON 250**



Crimp Terminal Housings(207)



Insertion & Extraction Tools(2)

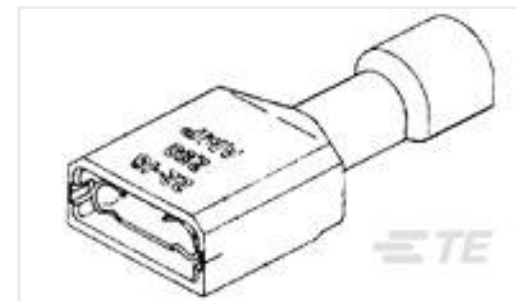
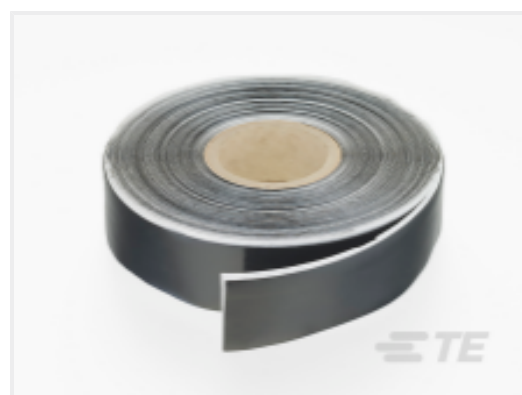
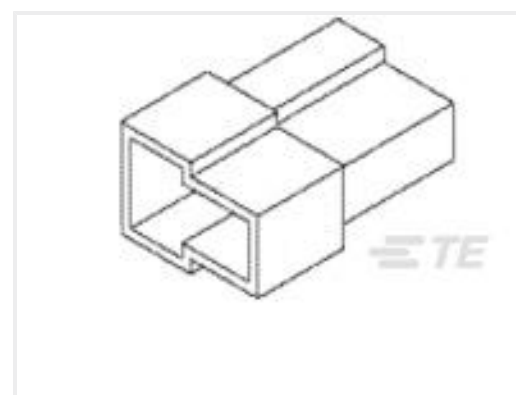
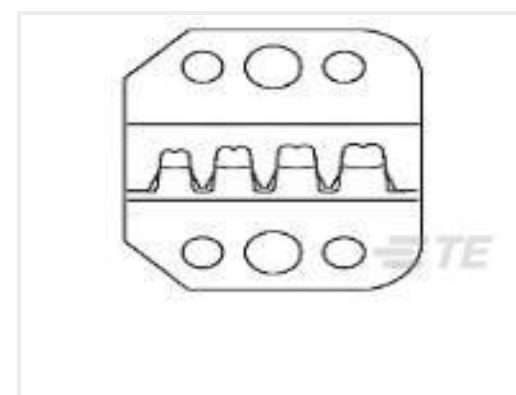


PCB Terminals(2)



Quick Disconnects(250)

Customers Also Bought

TE Part #2-320565-1
TERMINAL,PIDG R 16-14 8TE Part #6651458-1
CONN,SKT,P5S0,DRAWERTE Part #206437-1
CPC PLUG ASSEMBLY SIZE 23-57TE Part #2-520405-2
ULTRA-FAST 250 ASY REC 22-18 TPBRTE Part #095226-000
S1030-TAPE-3/4X33FTTE Part #8-5227079-2
COMM BNC PLUGTE Part #480116-3
FF 250 TAB HSG 2P NYLON BLACKTE Part #58524-2
PROCRIMPER DIETE Part #6651457-1
CONN,PIN HOUSINGTE Part #904486-1
T-HANDLE ASSEMBLY

Documents

Product Drawings

[FASTIN NECESSARY?? - separate GPL: 326](#)

English

CAD Files

[3D PDF](#)

3D

[Customer View Model](#)

[ENG_CVM_CVM_60794-2_T.2d_dxf.zip](#)



English

Customer View Model

[ENG_CVM_CVM_60794-2_T.3d_igs.zip](#)

English

Customer View Model

[ENG_CVM_CVM_60794-2_T.3d_stp.zip](#)

English

By downloading the CAD file I accept and agree to the [Terms and Conditions](#) of use.

Datasheets & Catalog Pages

[FASTIN_FASTON_Product_Line](#)

English

Product Specifications

[Application Specification](#)

English

[Automotive Type Tab Contact](#)

English