

1-1658043-1 ✓ ACTIVE



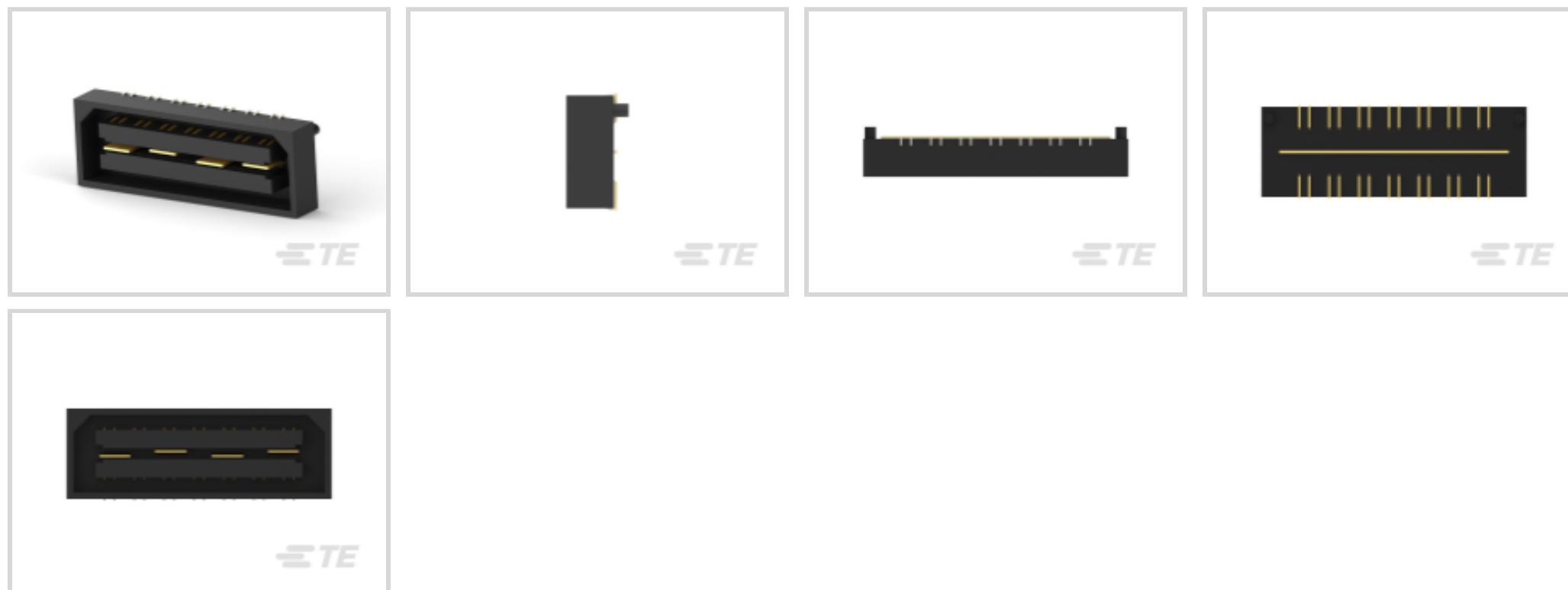
MICTOR

TE Internal #: 1-1658043-1

PCB Mount Receptacle, Vertical, Board-to-Board, 28 Position, .8 mm [.031 in] Centerline, Fully Shrouded, Gold Flash, Surface Mount, Power & Signal

[View on TE.com >](#)

Connectors > PCB Connectors > PCB Headers & Receptacles



EU RoHS Compliance: **Compliant**

EU ELV Compliance: **Compliant**

PCB Connector Assembly Type: **PCB Mount Receptacle**

PCB Mount Orientation: **Vertical**

Connector System: **Board-to-Board**

Features

Dimensions

	.136 in
Stack Height	8 mm, 19 mm, 30 mm, 22 mm, 5 mm, 25 mm, 11 mm, 16 mm[1.181 in]
Connector Height	3.05 mm[.12 in]

Contact Features

	5 μ m
Mating Tab Width	.38 mm[.015 in]
Contact Shape & Form	Single Beam
Contact Base Material	Phosphor Bronze
Mating Tab Thickness	.2 mm[.008 in]
PCB Contact Termination Area Plating Material	Gold
Contact Mating Area Plating Material	Gold Flash
Contact Type	Socket
Contact Current Rating (Max)	1.25 A, 9.5 A



Other

EU RoHS Compliance	Compliant
EU ELV Compliance	Compliant

Product Type Features

PCB Connector Assembly Type	PCB Mount Receptacle
Connector System	Board-to-Board
Header Type	Fully Shrouded
Sealable	No
Connector & Contact Terminates To	Printed Circuit Board

Configuration Features

Connector Contact Load Condition	Differential Load
Board-to-Board Configuration	Parallel
Stackable	No
PCB Mount Orientation	Vertical
Number of Positions	28

Electrical Characteristics

Operating Voltage	125 VAC
Impedance	100 Ω
Insulation Resistance	2 M Ω
Dielectric Withstanding Voltage (Max)	675 VAC

Body Features

Primary Product Color	Black
-----------------------	-------

Termination Features

Rectangular Termination Post & Tail Width	1.77 mm[.07 in]
Rectangular Termination Post & Tail Thickness	.15 mm[.006 in]
Termination Method to PCB	Surface Mount

Mechanical Attachment

Mating Retention	With
PCB Mount Alignment Type	Locating Posts
PCB Mount Retention	With
PCB Mount Alignment	With
Connector Mounting Type	Board Mount



Mating Alignment Without

Housing Features

Housing Material LCP (Liquid Crystal Polymer)
Centerline (Pitch) .8 mm [.031 in]

Usage Conditions

Operating Temperature Range -65 – 125 °C [-85 – 257 °F]

Operation/Application

Assembly Process Feature None
Circuit Application Power & Signal

Industry Standards

UL Flammability Rating UL 94V-0

Packaging Features

Packaging Quantity 96
Packaging Method Tray, Box

Product Compliance

[For compliance documentation, visit the product page on TE.com>](#)

EU RoHS Directive 2011/65/EU	Compliant
EU ELV Directive 2000/53/EC	Compliant
China RoHS 2 Directive MIIT Order No 32, 2016	No Restricted Materials Above Threshold
EU REACH Regulation (EC) No. 1907/2006	Current ECHA Candidate List: JUNE 2024 (241) Candidate List Declared Against: JUNE 2024 (241) Does not contain REACH SVHC
Halogen Content	Low Halogen - Br, Cl, F, I < 900 ppm per homogenous material. Also BFR/CFR/PVC Free
Solder Process Capability	Reflow solder capable to 260°C

Product Compliance Disclaimer

This information is provided based on reasonable inquiry of our suppliers and represents our current actual knowledge based on the information they provided. This information is subject to change. The part numbers that TE has identified as EU RoHS compliant have a maximum concentration of 0.1% by weight in homogenous materials for lead, hexavalent chromium, mercury, PBB, PBDE, DBP, BBP, DEHP, DIBP, and 0.01% for cadmium, or qualify for an exemption to these limits as defined in the Annexes of Directive 2011/65/EU (RoHS2). Finished electrical and electronic equipment products will be CE marked as required by Directive 2011/65/EU. Components may not be CE marked. Additionally, the part numbers that TE has identified as EU ELV compliant have a maximum concentration of 0.1% by weight in homogenous materials for lead, hexavalent chromium, and mercury, and 0.01% for cadmium, or qualify for an exemption to these limits

as defined in the Annexes of Directive 2000/53/EC (ELV). Regarding the REACH Regulation, the information TE provides on SVHC in articles for this part number is based on the latest European Chemicals Agency (ECHA) 'Guidance on requirements for substances in articles' posted at this URL: <https://echa.europa.eu/guidance-documents/guidance-on-reach>

Compatible Parts



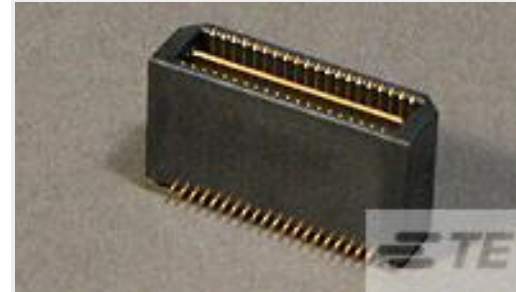
TE Part # 1-1658051-1
MSB0.80PL30ASY28DP,-,F,VCTY



TE Part # 1-1658044-1
MSB0.80PL5ASY28DP,-,F,VCTY



TE Part # 1-1658045-1
MSB0.80PL8ASY28DP,-,F,VCTY



TE Part # 1-1658046-1
MSB0.80PL11ASY28DP,-,F,VCTY



TE Part # 1-1658047-1
MSB0.80PL16ASY28DP,-,F,VCTY



TE Part # 1-1658048-1
MSB0.80PL19ASY28DP,-,F,VCTY



TE Part # 1-1658049-1
MSB0.80PL22ASY28DP,-,F,VCTY



TE Part # 1-1658050-1
MSB0.80PL25ASY28DP,-,F,VCTY



TE Part # 1-1658437-1
MSB0.80PL14ASY28DP,-,F,VCTY

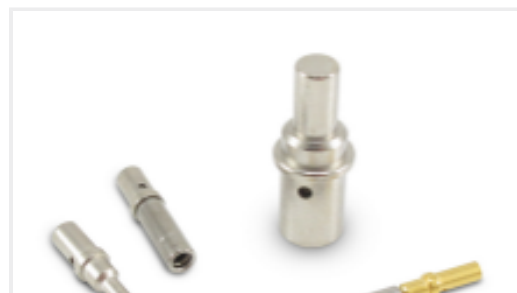
Customers Also Bought



TE Part #DT04-2P
REC, 2P, GRY, N



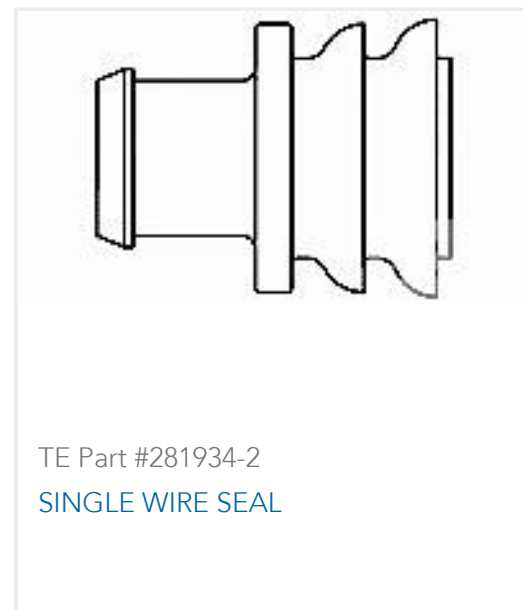
TE Part #W2S
Wedgelocks: DEUTSCH DT



TE Part #0460-202-16141
DEUTSCH Solid Contacts



TE Part #282104-1
AMP SUPERSEAL 1.5MM,
CONNECTOR HOUSING



Documents

Product Drawings

[MSB0.80RC-ASY28DP,-,F,VCTY](#)

English

CAD Files

[3D PDF](#)

3D

Customer View Model

[ENG_CVM_CVM_1-1658043-1_L.2d_dxf.zip](#)

English

Customer View Model

[ENG_CVM_CVM_1-1658043-1_L.3d_igs.zip](#)

English

Customer View Model

[ENG_CVM_CVM_1-1658043-1_L.3d_stp.zip](#)

English

By downloading the CAD file I accept and agree to the [Terms and Conditions](#) of use.

Product Specifications

[Application Specification](#)

English