

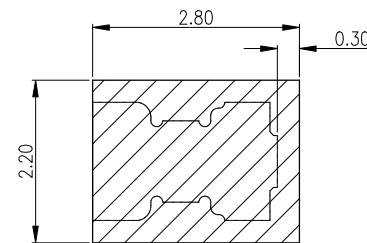
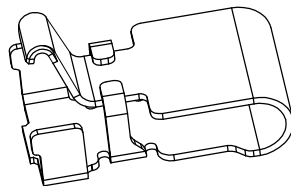
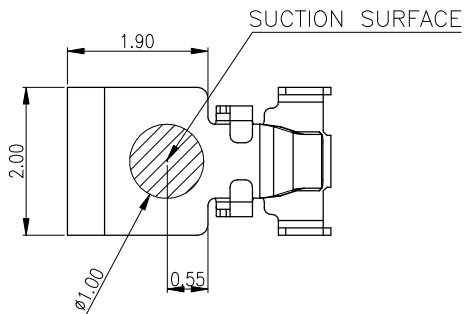
This document is the property of and embodies CONFIDENTIAL and PROPRIETARY information of AOR. No part of the information shown on this document may be used in any way or disclosed to others without the written consent of AOR.

Amphenol
AORORA

AAOR

Document Released
Copy Prohibited
2024/11/21

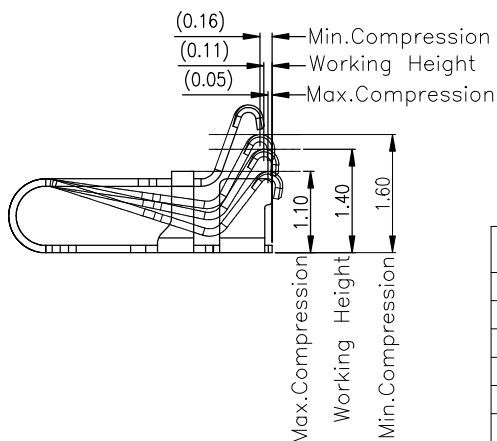
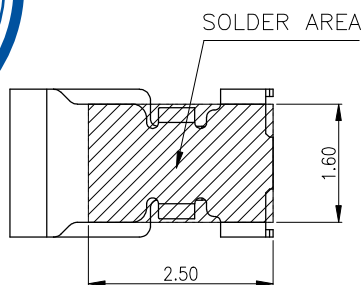
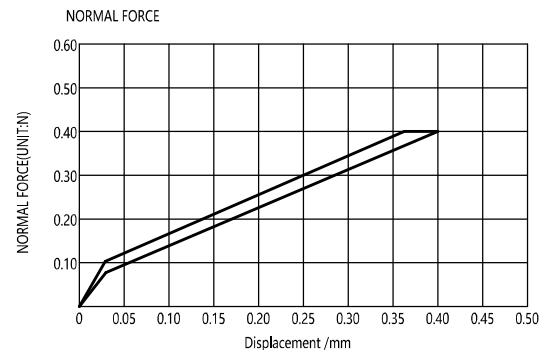
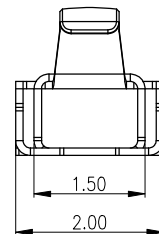
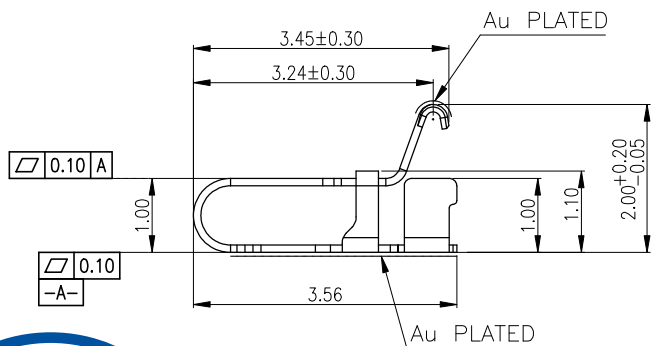
REV.	ECR/ECN No.	DESCRIPTION	DRAWN/DATE	CHECKED/DATE	APPROVED/DATE
A	ECN20200066	NEW RELEASE	Staven 2020-09-01	Staven 2020-09-01	Biao 2020-09-01
B	ECN2024100801	增加按压行程及按压寿命	zhangzhiwei 24-09-10	tiger.tao 24-09-10	Rain Han 24-09-10



PCB LAYOUT RECOMMEND
(TOP VIEW) TOLERANCE:±0.05

SPECIFICATIONS:

1. MATERIAL: COPPER ALLOY T=0.10mm
2. PLATING: CONTACT AREA AND SOLDER AREA PLATING
Au 1u" Min OVER Ni 40~80u"
3. CURRENT: 3A MAX.
4. CONTACT RESISTANCE: 30mΩ MAX.
5. COMPRESSION LIFE: 25CYCLES
6. RECOMMENDER WORKING HEIGHT=1.6mm MIN
FORCE=0.4N MIN;
7. ENVIRONMENTAL:
OPERATING TEMPERATURE: -40°C TO +105°C;



UNLESS OTHERWISE SPECIFIED TOLERANCES				ANGLE OF PROJECTION		Amphenol AORORA			
X.	±0.30	X. *	± 5'			Amphenol Aorora Technology (Huizhou) Co.,Ltd			
X.X	±0.25	X.X *	± 4'			TITLE: H2.0mm SPRING ESD			
X.XX	±0.20	X.XX *	± 3'	DOC TYP	Customer Drw	PART NUMBER: Z02E-4F7L1-11000			
X.XXX	±0.15	X.XXX *	± 2'	DRAWN	Staven 2020-08-20				
LINEAR DIMS		ANGLES DIMS		DATE	Staven 2020-08-20	SIZE	A4	SHEET 1 OF 1	
DWG NO.: A-S0602		MATERIAL		DESIGN	Staven 2020-08-20	SCALE		1:1	
FINISHED		SEE NOTES		CHECKED	Biao 2020-08-20	UNIT : mm		24-09-10	
APPROVED		DATE		APPROVED	Biao 2020-08-20	SHEET		1 OF 1	