

42742-1 ✓ ACTIVE

FASTON | FASTON 250

TE Internal #: 42742-1

Receptacle, 18 – 12 AWG Wire Size, .82 – 3.31 mm² Wire Size,

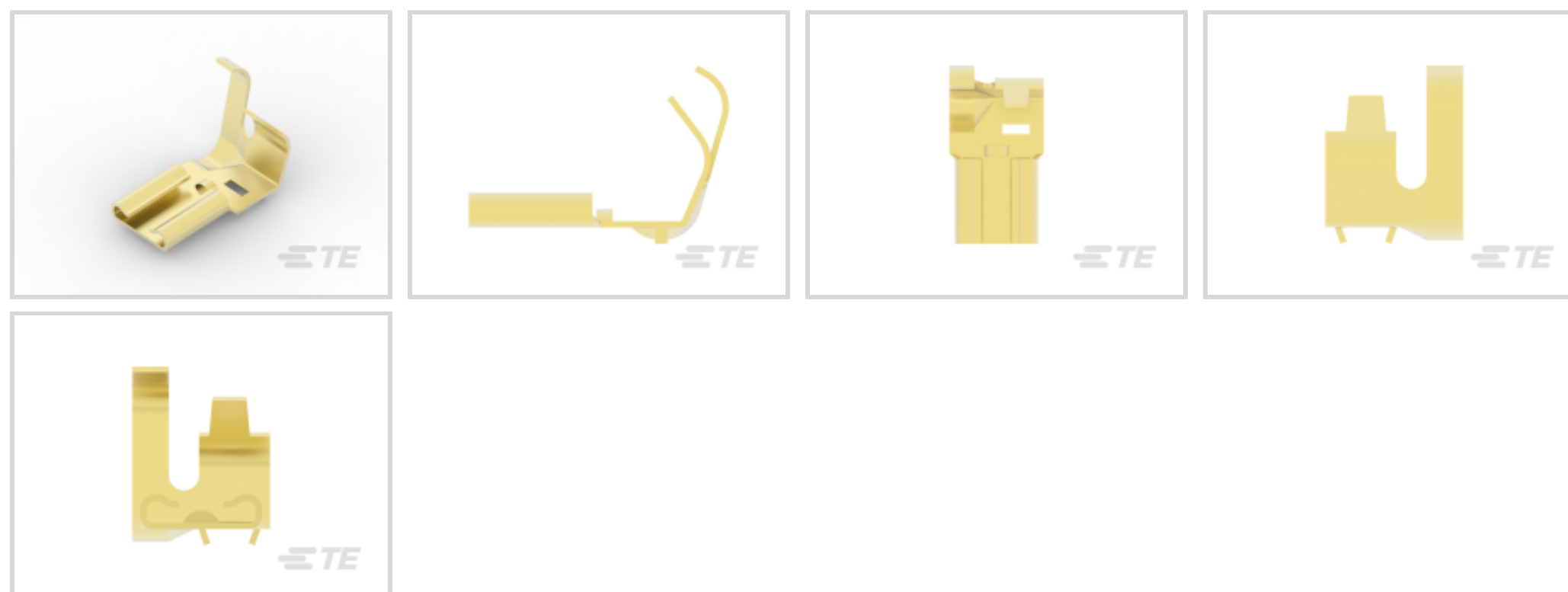
Mating Tab Width 6.35 mm [.25 in], Flag, Brass, FASTON 250, Quick

Disconnects

[View on TE.com >](#)



Terminals & Splices > Quick Disconnects



Quick Disconnect Terminal Type: **Receptacle**

Wire Size: **.82 – 3.31 mm²**

Mating Tab Width: **6.35 mm [.25 in]**

Mating Tab Thickness: **.81 mm [.032 in]**

Features

Mechanical Attachment

	.04 in
Wire Insulation Support	With
Mating Retention Type	Dimple

Contact Features

Quick Disconnect Terminal Type	Receptacle
Mating Tab Width	6.35 mm [.25 in]
Mating Tab Thickness	.81 mm [.032 in]
Terminal Orientation	Flag
Contact Base Material	Brass
Terminal Plating Material	Unplated
Crimp Type	Tab-Lok
Barrel Type	Open

Dimensions

Wire Size	.82 – 3.31 mm ²
Product Length	17.02 mm [.67 in]



Compatible Insulation Diameter Range	2.79 – 5.33 mm [.11 – .21 in]
--------------------------------------	-------------------------------

Terminal Material Thickness	.41 mm [.016 in]
-----------------------------	------------------

Packaging Features

Packaging Method	Strip/Reel
------------------	------------

Packaging Quantity	4000
--------------------	------

Product Type Features

Insertion Force	Low
-----------------	-----

Usage Conditions

Insulation Option	Uninsulated
-------------------	-------------

Operating Temperature Range	-40 – 110 °C [-40 – 230 °F]
-----------------------------	-----------------------------

Other

EU RoHS Compliance	Compliant
--------------------	-----------

EU ELV Compliance	Compliant
-------------------	-----------

Configuration Features

Compatible With Wire & Cable Type	Discrete Wire
-----------------------------------	---------------

Connection Capacity	Single
---------------------	--------

Termination Features

Product Terminates To	Wire & Cable
-----------------------	--------------

Industry Standards

Compatible With Agency/Standards Products	UL, CSA
---	---------

Product Compliance

[For compliance documentation, visit the product page on TE.com>](#)

EU RoHS Directive 2011/65/EU	Compliant
------------------------------	-----------

EU ELV Directive 2000/53/EC	Compliant
-----------------------------	-----------

China RoHS 2 Directive MIIT Order No 32, 2016	No Restricted Materials Above Threshold
---	---

EU REACH Regulation (EC) No. 1907/2006	Current ECHA Candidate List: JUNE 2024 (241) Candidate List Declared Against: JUNE 2024 (241) Does not contain REACH SVHC
--	---

Halogen Content	Low Halogen - Br, Cl, F, I < 900 ppm per homogenous material. Also BFR/CFR/PVC Free
-----------------	---



Solder Process Capability

Not applicable for solder process capability

Product Compliance Disclaimer

This information is provided based on reasonable inquiry of our suppliers and represents our current actual knowledge based on the information they provided. This information is subject to change. The part numbers that TE has identified as EU RoHS compliant have a maximum concentration of 0.1% by weight in homogenous materials for lead, hexavalent chromium, mercury, PBB, PBDE, DBP, BBP, DEHP, DIBP, and 0.01% for cadmium, or qualify for an exemption to these limits as defined in the Annexes of Directive 2011/65/EU (RoHS2). Finished electrical and electronic equipment products will be CE marked as required by Directive 2011/65/EU. Components may not be CE marked. Additionally, the part numbers that TE has identified as EU ELV compliant have a maximum concentration of 0.1% by weight in homogenous materials for lead, hexavalent chromium, and mercury, and 0.01% for cadmium, or qualify for an exemption to these limits as defined in the Annexes of Directive 2000/53/EC (ELV). Regarding the REACH Regulation, the information TE provides on SVHC in articles for this part number is based on the latest European Chemicals Agency (ECHA) 'Guidance on requirements for substances in articles' posted at this URL: <https://echa.europa.eu/guidance-documents/guidance-on-reach>

Compatible Parts




TE Part # 1852633-1
EAPOHB160TABLOCK1800 LM/G-HINGE BAR




TE Part # 1855041-1
HINDGE BAR F.A. EMPO160TAB1800 LM & G



TE Part # 7-1855041-7
SPARE PART KIT



TE Part # 1596696-2
HB APPL,AOL



TE Part # 1596697-5
HB APPL,AOM



TE Part # 2088156-2
MINI APPLICATOR, HINGE BAR END FEED




TE Part # 565504-1
STD HBEMPR160T180OK




TE Part # 565504-3
STD HBEMPR160T220OK


Also in the Series | FASTON 250



Compression Connectors(4)



Crimp Terminal Housings(132)



Insertion & Extraction Tools(6)



Magnet Wire Terminals(1)



PCB Terminals(134)



Quick Disconnects(425)



Splices(4)

Customers Also Bought



TE Part #5558343-1
MJ,8POS,R/A,CAT 5e,PNL STOP



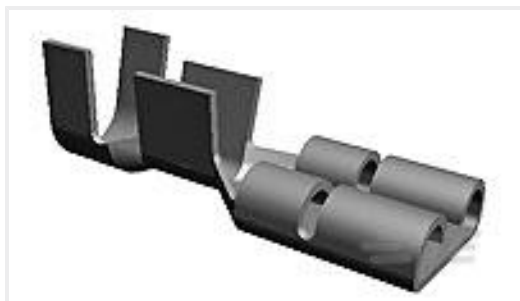
TE Part #41854
PIN 093 (2.36 MM) REC 22-18 AWG TPBR



TE Part #41727
250 FASTON REC 16-12 AWG BR



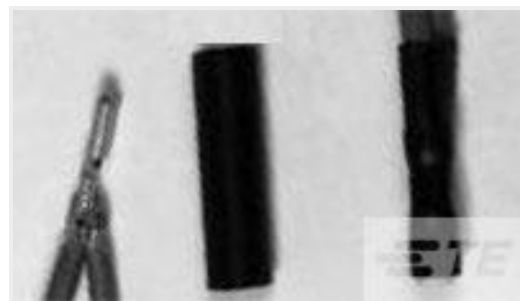
TE Part #6368120-1
MJ,8POS,2PORT,UNSHLD,CAT 5e



TE Part #63539-1
250 FASTON REC 14-10 AWG TPBR



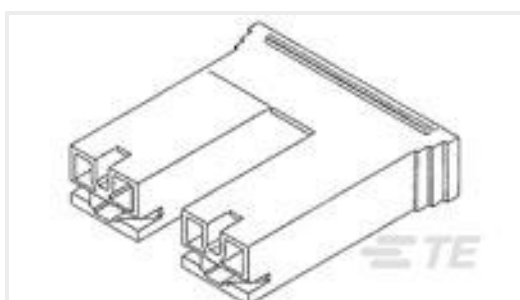
TE Part #60102-1
250 FASTON FLAG REC 18-12 AWG BR



TE Part #520197P044
RT-3-NO.2-0-1.125IN BR



TE Part #62011-1
250 FASTON FLAG REC 12-10 AWG BR



TE Part #520935-1
PLMKII&FASTON 250 REC HSG 2P NAT



TE Part #60635-1
250 FASTON REC 14-10 AWG TPBR

Documents

Product Drawings

[250 FASTON FLAG REC 18-12 AWG BR](#)

English

CAD Files

Customer View Model

[ENG_CVM_CVM_42742-1_DP.2d_dxf.zip](#)

English

[3D PDF](#)



3D

Customer View Model

[ENG_CVM_CVM_42742-1_DP.3d_igs.zip](#)

English

Customer View Model

[ENG_CVM_CVM_42742-1_DP.3d_stp.zip](#)

English

By downloading the CAD file I accept and agree to the [Terms and Conditions](#) of use.

Datasheets & Catalog Pages

[FASTIN_FASTON_Product_Line](#)

English

[82004 FASTON Terminals \(Insulated and Uninsulated\) Catalog - FASTON Receptacles Section](#)

English

Product Specifications

[Application Specification](#)

English

Agency Approvals

[UL Report](#)

English