



FPC

TE Internal #: 1-84982-1

1 mm [.039 in] Centerline, Non ZIF, Vertical, Surface Mount, Tin, 11

Position, FPC Connectors

[View on TE.com >](#)

Connectors > PCB Connectors > Wire-to-Board Connectors > FFC, FPC & Ribbon Connectors > FPC Connectors



Centerline (Pitch): 1 mm [.039 in]

Mating Retention Type: **Non ZIF**

PCB Mount Orientation: **Vertical**

Termination Method to PCB: **Surface Mount**

Contact Mating Area Plating Material: **Tin**

Features

Housing Features

Centerline (Pitch)	1 mm [.039 in]
Housing Material	Nylon GF

Mechanical Attachment

Mating Retention Type	Non ZIF
Connector Mounting Type	Board Mount
PCB Mount Retention	Without
Mating Alignment	With
PCB Mount Alignment	Without

Configuration Features

PCB Mount Orientation	Vertical
Number of Positions	11
Compatible With Wire & Cable Type	FFC, FPC
Number of Rows	1

Termination Features

--	--



Termination Method to PCB	Surface Mount
---------------------------	---------------

Contact Features

Contact Mating Area Plating Material	Tin
PCB Contact Termination Area Plating Material Finish	Matte
Contact Mating Area Plating Material Thickness	1 µm[39.37 µin]
Contact Current Rating (Max)	1 A
Contact Shape & Form	Single Beam
PCB Contact Termination Area Plating Material Thickness	1 µm[39.37 µin]
Contact Layout	Staggered Type A
Contact Base Material	Phosphor Bronze
PCB Contact Termination Area Plating Material	Tin
Contact Type	Socket
Contact Mating Area Plating Material Finish	Matte

Other

EU RoHS Compliance	Compliant
EU ELV Compliance	Compliant

Product Type Features

Connector & Contact Terminates To	Printed Circuit Board, Flexible Printed Circuit (FPC)
Connector Product Type	Connector Assembly
Connector System	Flex-to-Board
PCB Connector Assembly Type	PCB Mount Receptacle

Electrical Characteristics

Operating Voltage	125 VAC
-------------------	---------

Body Features

Primary Product Color	Natural
-----------------------	---------

Dimensions

Accepts Flex Cable Thickness	.3 mm[.012 in]
Connector Width	4.4 mm[.173 in]
Connector Height	5.6 mm[.22 in]
Connector Length	13 mm[.511 in]

Usage Conditions



Operating Temperature Range	-20 – 85 °C[-4 – 185 °F]
-----------------------------	--------------------------

Operation/Application

Circuit Application	Signal
---------------------	--------

Identification Marking

Circuit Identification Feature	Without
--------------------------------	---------

Packaging Features

Packaging Quantity	800
--------------------	-----

Packaging Method	Tape & Reel
------------------	-------------

Product Compliance

[For compliance documentation, visit the product page on TE.com>](#)

EU RoHS Directive 2011/65/EU	Compliant
------------------------------	-----------

EU ELV Directive 2000/53/EC	Compliant
-----------------------------	-----------

China RoHS 2 Directive MIIT Order No 32, 2016	No Restricted Materials Above Threshold
---	---

EU REACH Regulation (EC) No. 1907/2006	Current ECHA Candidate List: JUNE 2024 (241) Candidate List Declared Against: JUNE 2024 (241) Does not contain REACH SVHC
--	---

Halogen Content	Not Low Halogen - contains Br or Cl > 900 ppm.
-----------------	--

Solder Process Capability	Reflow solder capable to 245°C
---------------------------	--------------------------------

Product Compliance Disclaimer

This information is provided based on reasonable inquiry of our suppliers and represents our current actual knowledge based on the information they provided. This information is subject to change. The part numbers that TE has identified as EU RoHS compliant have a maximum concentration of 0.1% by weight in homogenous materials for lead, hexavalent chromium, mercury, PBB, PBDE, DBP, BBP, DEHP, DIBP, and 0.01% for cadmium, or qualify for an exemption to these limits as defined in the Annexes of Directive 2011/65/EU (RoHS2). Finished electrical and electronic equipment products will be CE marked as required by Directive 2011/65/EU. Components may not be CE marked. Additionally, the part numbers that TE has identified as EU ELV compliant have a maximum concentration of 0.1% by weight in homogenous materials for lead, hexavalent chromium, and mercury, and 0.01% for cadmium, or qualify for an exemption to these limits as defined in the Annexes of Directive 2000/53/EC (ELV). Regarding the REACH Regulation, the information TE provides on SVHC in articles for this part number is based on the latest European Chemicals Agency (ECHA) 'Guidance on requirements for substances in articles' posted at this URL: <https://echa.europa.eu/guidance-documents/guidance-on-reach>

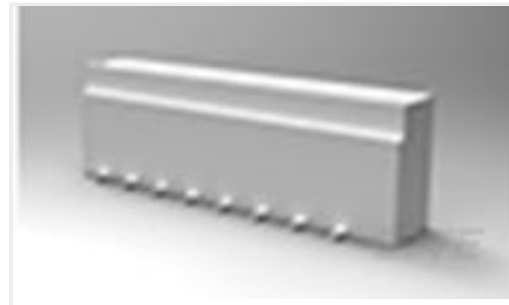
Compatible Parts



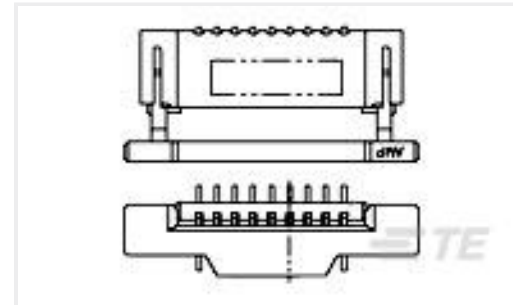
TE Part # 1-84953-1
1MM FPC HORZ.TOP CONT.ASSY 11P



TE Part # 1-1734248-1
1.0 FPC, ZIF V/T, SMT, 11P

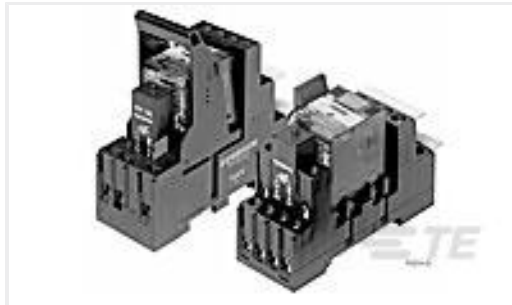


TE Part # 1-1735042-1
1MM FPC SMT V ASSY 11P EMBOSS



TE Part # 1-1775695-1
1.0 FPC, ZIF V/T, SMT, 11P

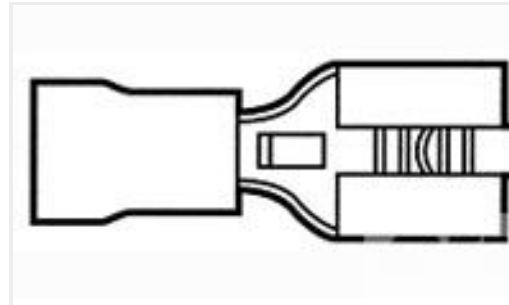
Customers Also Bought



TE Part #2-1415075-1
PT3S7LC4



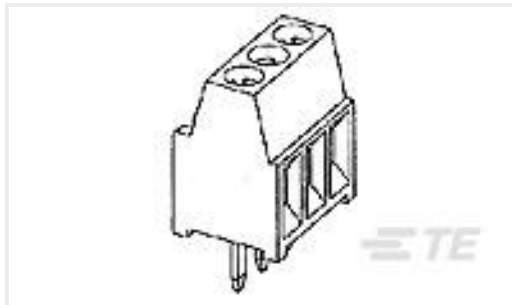
TE Part #322798
SOLIS R HR 22-16COM 22-18MIL 8



TE Part #640905-2
RECEPT, PIDG FASTON 16-14 250



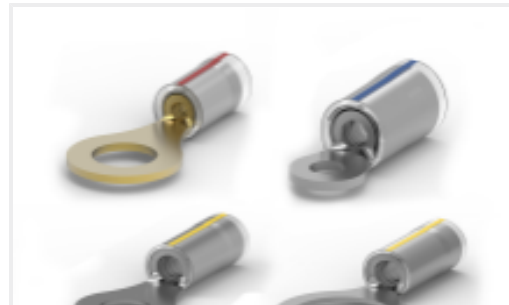
TE Part #1-84953-1
1MM FPC HORZ.TOP CONT.ASSY 11P



TE Part #1546551-2
2P, STRAIGHT, SIDE ENTRY, 3.5MM



TE Part #1-1734248-1
1.0 FPC, ZIF V/T, SMT, 11P



TE Part #53417-1
PIDG Radiation Resistant C Rings /Spades

Documents

Product Drawings

[1MM FPC SMT V ASSY 11P EMBOSS](#)

English

CAD Files

Customer View Model

[ENG_CVM_CVM_1-84982-1_J.2d_dxf.zip](#)

English

3D PDF

3D

Customer View Model

[ENG_CVM_CVM_1-84982-1_J.3d_igs.zip](#)

English

Customer View Model

[ENG_CVM_CVM_1-84982-1_J.3d_stp.zip](#)

English

By downloading the CAD file I accept and agree to the [Terms and Conditions](#) of use.



Datasheets & Catalog Pages

[FPC Connector Family](#)

English

[1-1773959-7-FPC-Connectors-CN](#)

English

Product Specifications

[Product Specification](#)

English

Agency Approvals

[CSA Certificate](#)

English