

284513-8 ✓ ACTIVE

Buchanan

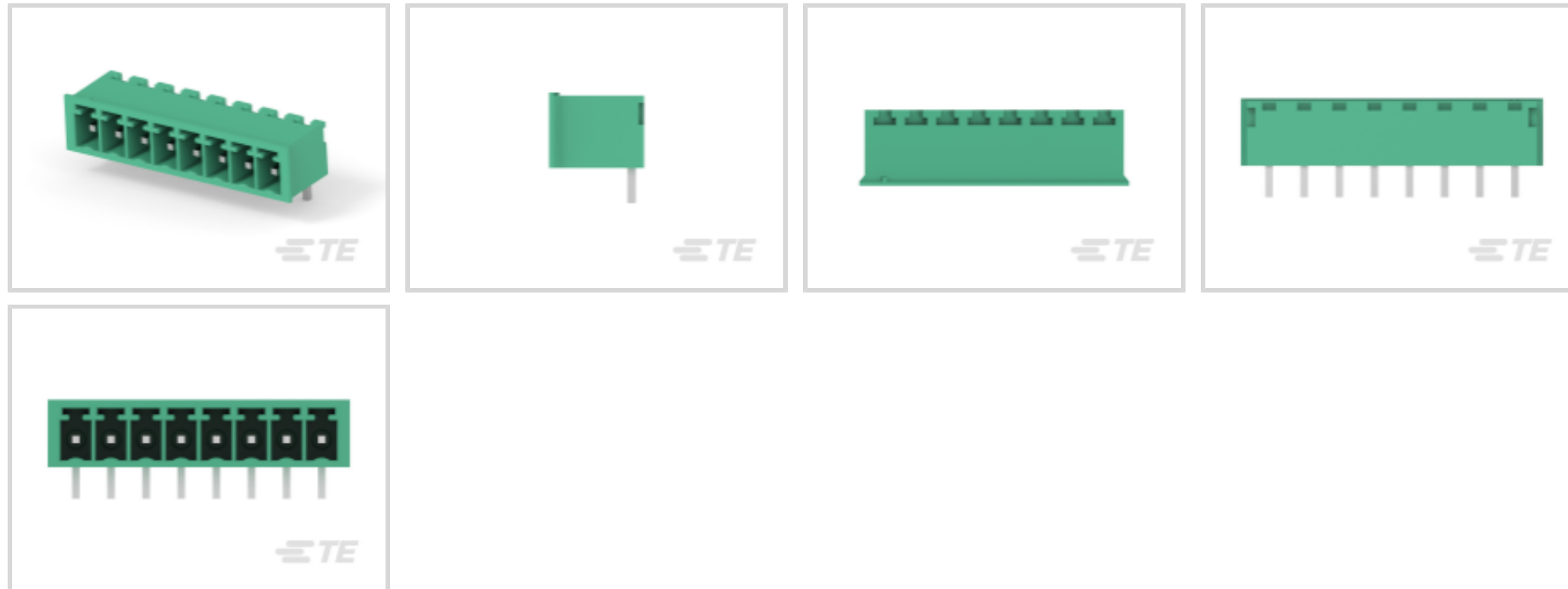
TE Internal #: 284513-8

Header, Wire-to-Board, 8 Position, 3.81 mm [.15 in] Centerline, 1 Row, 30 – 14 AWG Wire Size, .05 – 2 mm² Wire Size, PCB Terminal Blocks

[View on TE.com >](#)



Connectors > Terminal Blocks & Strips > PCB Terminal Blocks



EU RoHS Compliance: **Compliant**

EU ELV Compliance: **Compliant with Exemptions**

Terminal Block Connector Type: **Header**

Connector System: **Wire-to-Board**

Number of Positions: **8**

Features

Other

EU RoHS Compliance	Compliant
EU ELV Compliance	Compliant with Exemptions

Product Type Features

Header Type	Fully Shrouded
Terminal Block Connector Type	Header
Connector System	Wire-to-Board
Connector & Contact Terminates To	Printed Circuit Board

Configuration Features

Number of Positions	8
Number of Rows	1

Electrical Characteristics

Operating Voltage	300 VAC
-------------------	---------

Body Features

--	--



Primary Product Color	Green
-----------------------	-------

Product Orientation	Right Angle
---------------------	-------------

Contact Features

Contact Mating Area Plating Material	Tin
--------------------------------------	-----

Contact Base Material	Phosphor Bronze
-----------------------	-----------------

Contact Current Rating (Max)	11 A
------------------------------	------

Termination Features

Termination Method to PCB	Through Hole - Solder
---------------------------	-----------------------

Termination Post & Tail Length	3.4 mm[.134 in]
--------------------------------	-----------------

Mechanical Attachment

Connector Mounting Type	Board Mount
-------------------------	-------------

Housing Features

Housing Material	PA 6.6
------------------	--------

Centerline (Pitch)	3.81 mm[.15 in]
--------------------	-----------------

Dimensions

Wire Size	30 – 14 AWG
-----------	-------------

Usage Conditions

Operating Temperature Range	-40 – 105 °C[-40 – 221 °F]
-----------------------------	----------------------------

Operation/Application

Circuit Application	Power & Signal
---------------------	----------------

Packaging Features

Packaging Quantity	100
--------------------	-----

Product Compliance

[For compliance documentation, visit the product page on TE.com>](#)

EU RoHS Directive 2011/65/EU	Compliant
------------------------------	-----------

EU ELV Directive 2000/53/EC	Compliant with Exemptions
-----------------------------	---------------------------

China RoHS 2 Directive MIIT Order No 32, 2016	No Restricted Materials Above Threshold
---	---

EU REACH Regulation (EC) No. 1907/2006	Current ECHA Candidate List: JUNE 2024 (241) Candidate List Declared Against: JUNE 2023 (235) Does not contain REACH SVHC
--	---



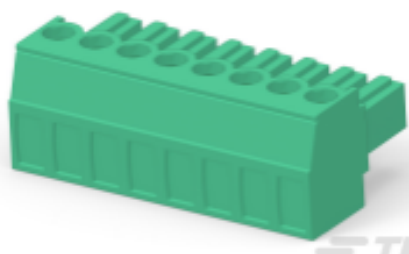
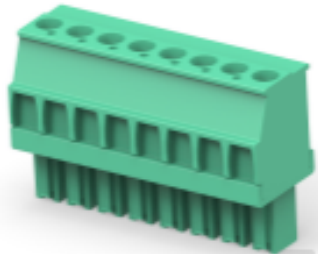
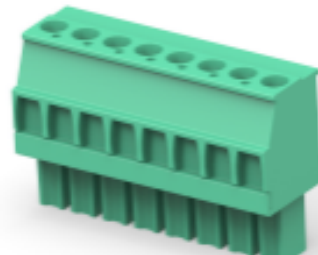

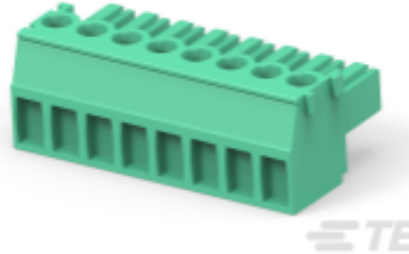

Halogen Content	Low Halogen - Br, Cl, F, I < 900 ppm per homogenous material. Also BFR/CFR/PVC Free
-----------------	---

Solder Process Capability	Wave solder capable to 240°C
---------------------------	------------------------------

Product Compliance Disclaimer

This information is provided based on reasonable inquiry of our suppliers and represents our current actual knowledge based on the information they provided. This information is subject to change. The part numbers that TE has identified as EU RoHS compliant have a maximum concentration of 0.1% by weight in homogenous materials for lead, hexavalent chromium, mercury, PBB, PBDE, DBP, BBP, DEHP, DIBP, and 0.01% for cadmium, or qualify for an exemption to these limits as defined in the Annexes of Directive 2011/65/EU (RoHS2). Finished electrical and electronic equipment products will be CE marked as required by Directive 2011/65/EU. Components may not be CE marked. Additionally, the part numbers that TE has identified as EU ELV compliant have a maximum concentration of 0.1% by weight in homogenous materials for lead, hexavalent chromium, and mercury, and 0.01% for cadmium, or qualify for an exemption to these limits as defined in the Annexes of Directive 2000/53/EC (ELV). Regarding the REACH Regulation, the information TE provides on SVHC in articles for this part number is based on the latest European Chemicals Agency (ECHA) 'Guidance on requirements for substances in articles' posted at this URL: <https://echa.europa.eu/guidance-documents/guidance-on-reach>

Compatible Parts

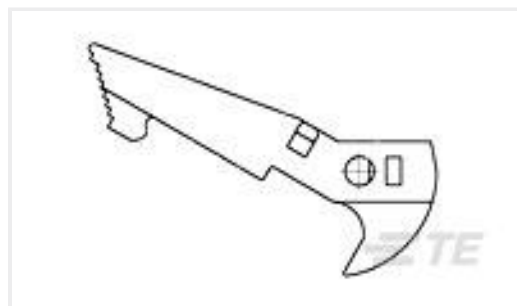
 <p>TE Part # 284507-8 8 POS TERMI-BLOK PLUG STAC 3,8</p>	 <p>TE Part # 1986374-8 Str Plug, 3.81mm, Green, RH, 8</p>	 <p>TE Part # 1986375-8 Str Plug, 3.81mm, Green, LH, 8</p>	 <p>TE Part # 1776135-8 8P TERMI-BLOK HDR,HIGH TEMP</p>
 <p>TE Part # 284509-8 8P TERMI-BLOK PLUG STACK 3,8</p>	 <p>TE Part # 1986343-8 8P HDR CLOSED END,90 DEG,CL 3.81, BLK</p>		

Customers Also Bought

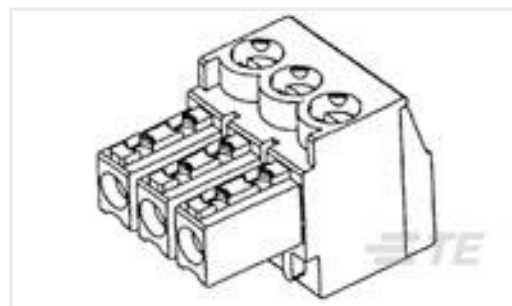
 <p>TE Part #5745352-4 15 PLUG RA/MS STD</p>	 <p>TE Part #2-6609115-8 6EGG8-1 S0=F7382B</p>	 <p>TE Part #5747840-6 HD-20 PLUG RA .318 FMS BD-LK S</p>	 <p>TE Part #640457-6 06P MTA100 HDR ASSY SQ R/A F/L</p>
---	---	--	---



TE Part #5102154-9
A/L UNIV HDR 40P VERT



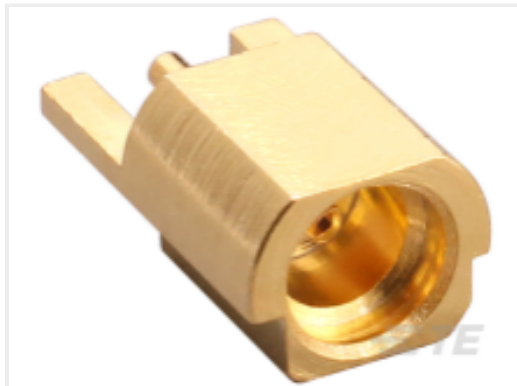
TE Part #1825851-1
AMPMODU MOD IV LATCH for
AMPLA



TE Part #284507-8
8 POS TERMI-BLOK PLUG STAC 3,8



TE Part #87220-4
04 MODII HDR SRST UNSHRD .100



TE Part #CONMMCX013-T
MMCX Jack 50 Ohm PCB Edge Mount

Documents

CAD Files

Customer View Model

[ENG_CVM_284513-8_C.3d_igs.zip](#)

English

Customer View Model

[ENG_CVM_284513-8_C.3d_stp.zip](#)

English

Customer View Model

[ENG_CVM_284513-8_C.2d_dxf.zip](#)

English

3D PDF

English

By downloading the CAD file I accept and agree to the [Terms and Conditions](#) of use.

Datasheets & Catalog Pages

Eurostyle Terminal Blocks Focus Product Stock List

English

BUCHANAN TERMINAL BLOCKS CATALOG - EUROSTYLE TERMINAL BLOCKS

English

[1-1773458-1_EURO_STYLE_TERMINAL_BLOCKS_QRG](#)

English

Product Specifications

Application Specification

English

Agency Approvals



[UL](#)

English