



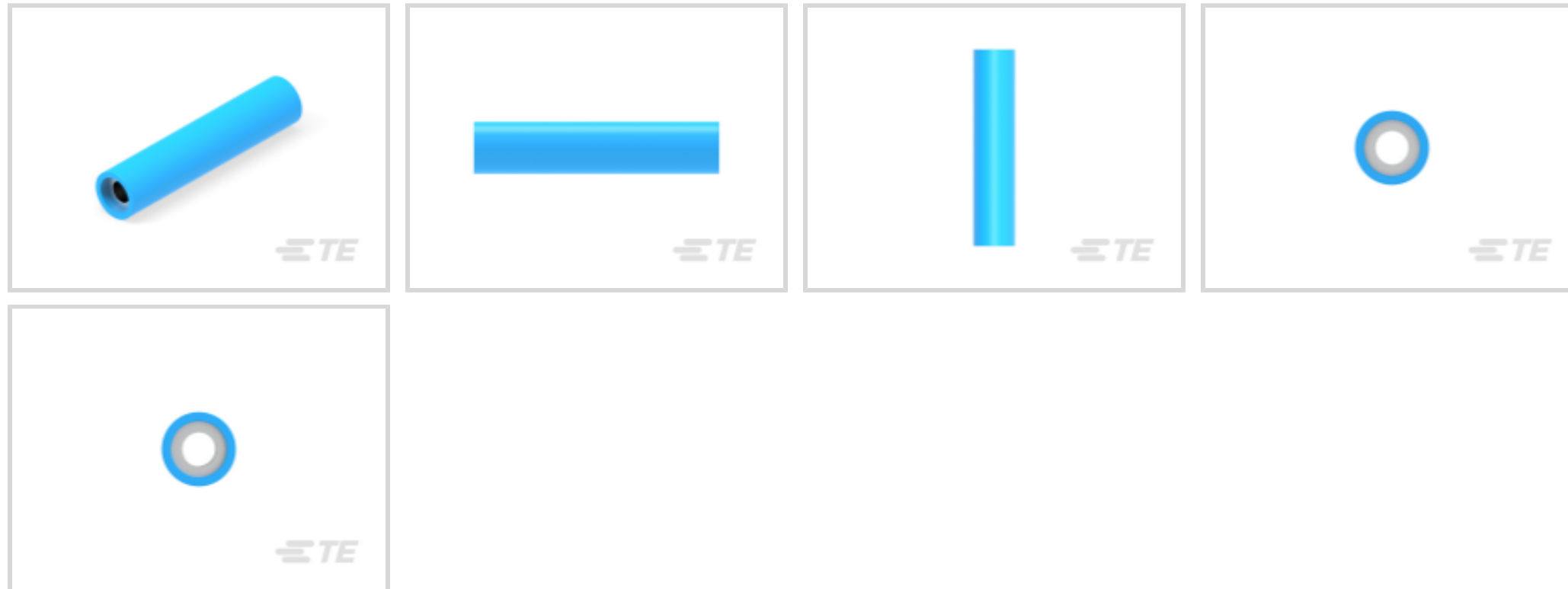
PLASTI-GRIP

TE Internal #: 34204

Butt Splice, 16 – 14 AWG Wire Size, 1.25 – 2 mm<sup>2</sup> Wire Size, Serrated, 2050 – 5180 CMA Wire Size, Copper, Blue, PLASTI-GRIP, Splices

[View on TE.com >](#)

Terminals & Splices > Splices



Splice Type: **Butt Splice**  
 Wire Size: **1.25 – 2 mm<sup>2</sup>**  
 Sealable: **No**  
 Splice Features: **Serrated**

**Features**

**Packaging Features**

|                    |             |
|--------------------|-------------|
| Packaging Quantity | 1000        |
| Packaging Method   | Loose Piece |

**Body Features**

|                       |          |
|-----------------------|----------|
| Product Weight        | 1.442 g  |
| Insulation Material   | Vinyl    |
| Splice Features       | Serrated |
| Primary Product Color | Blue     |

**Product Type Features**

|  |                    |
|--|--------------------|
| Splice Accessory Type                  | Splice             |
| Splice Type                            | Butt Splice        |
| Sealable                               | No                 |
| Compatible With Discrete Wire Type     | Solid, Stranded    |
| Wire Insulation Support Retention Type | Insulation Support |

**Configuration Features**

|  |  |
|--|--|
|  |  |
|--|--|



|                                   |               |
|-----------------------------------|---------------|
| Compatible With Wire & Cable Type | Discrete Wire |
|-----------------------------------|---------------|

### Contact Features

|                       |        |
|-----------------------|--------|
| Contact Base Material | Copper |
|-----------------------|--------|

|             |        |
|-------------|--------|
| Barrel Type | Closed |
|-------------|--------|

### Mechanical Attachment

|                         |      |
|-------------------------|------|
| Wire Insulation Support | With |
|-------------------------|------|

### Dimensions

|           |                 |
|-----------|-----------------|
| Wire Size | 2050 – 5180 CMA |
|-----------|-----------------|

|                                      |                  |
|--------------------------------------|------------------|
| Compatible Insulation Diameter Range | 6.22 mm[.245 in] |
|--------------------------------------|------------------|

|                |                   |
|----------------|-------------------|
| Product Length | 26.16 mm[1.03 in] |
|----------------|-------------------|

### Usage Conditions

|                   |                 |
|-------------------|-----------------|
| Insulation Option | Fully Insulated |
|-------------------|-----------------|

|                             |               |
|-----------------------------|---------------|
| Operating Temperature Range | 90 °C[194 °F] |
|-----------------------------|---------------|

### Operation/Application

|                                    |        |
|------------------------------------|--------|
| Compatible With Wire Base Material | Copper |
|------------------------------------|--------|

### Industry Standards

|                             |    |
|-----------------------------|----|
| Government Qualified Splice | No |
|-----------------------------|----|

### Other

|                    |           |
|--------------------|-----------|
| EU RoHS Compliance | Compliant |
|--------------------|-----------|

|                   |           |
|-------------------|-----------|
| EU ELV Compliance | Compliant |
|-------------------|-----------|

### Product Compliance

[For compliance documentation, visit the product page on TE.com>](#)

|                              |           |
|------------------------------|-----------|
| EU RoHS Directive 2011/65/EU | Compliant |
|------------------------------|-----------|

|                             |           |
|-----------------------------|-----------|
| EU ELV Directive 2000/53/EC | Compliant |
|-----------------------------|-----------|

|   |   |
|---|---|
| China RoHS 2 Directive MIIT Order No 32, 2016 | No Restricted Materials Above Threshold |
|---|---|

|  |   |
|--|---|
| EU REACH Regulation (EC) No. 1907/2006 | Current ECHA Candidate List: JUNE 2024 (241)<br>Candidate List Declared Against: JUNE 2024 (241)<br>Does not contain REACH SVHC |
|--|---|

|                 |  |
|-----------------|--|
| Halogen Content | Not Low Halogen - contains Br or Cl > 900 ppm. |
|-----------------|--|

|                           |  |
|---------------------------|--|
| Solder Process Capability | Not applicable for solder process capability |
|---------------------------|--|



Product Compliance Disclaimer

This information is provided based on reasonable inquiry of our suppliers and represents our current actual knowledge based on the information they provided. This information is subject to change. The part numbers that TE has identified as EU RoHS compliant have a maximum concentration of 0.1% by weight in homogenous materials for lead, hexavalent chromium, mercury, PBB, PBDE, DBP, BBP, DEHP, DIBP, and 0.01% for cadmium, or qualify for an exemption to these limits as defined in the Annexes of Directive 2011/65/EU (RoHS2). Finished electrical and electronic equipment products will be CE marked as required by Directive 2011/65/EU. Components may not be CE marked. Additionally, the part numbers that TE has identified as EU ELV compliant have a maximum concentration of 0.1% by weight in homogenous materials for lead, hexavalent chromium, and mercury, and 0.01% for cadmium, or qualify for an exemption to these limits as defined in the Annexes of Directive 2000/53/EC (ELV). Regarding the REACH Regulation, the information TE provides on SVHC in articles for this part number is based on the latest European Chemicals Agency (ECHA) 'Guidance on requirements for substances in articles' posted at this URL: <https://echa.europa.eu/guidance-documents/guidance-on-reach>

### Compatible Parts



TE Part # 59824-1  
TETRA-CRIMP PIDG PG FASTON 22-10 ASSY



TE Part # 58433-3  
PRO CR ASSY, RBY IS9252



TE Part # 47387  
DAHT PG PIDG 20-14 ASSY



TE Part # 58423-1  
DIE, RBY IS9252




TE Part # 45575-1  
DAHT PG 16-14 ASSY



TE Part # 169404  
CERTI-LOK DIE


### Also in the Series | PLASTI-GRIP



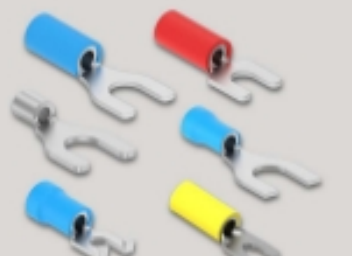
Compression Connectors(3)



Crimp Wire Pins, Tabs & Ferrules(18)



Ring Terminals(297)

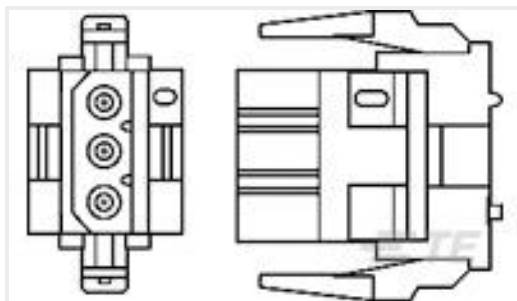
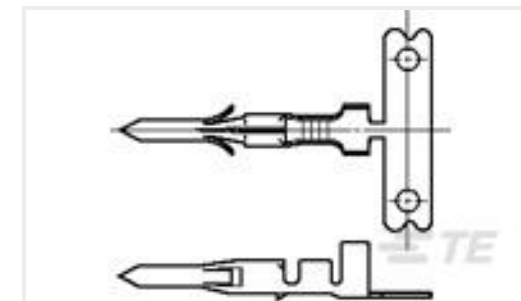
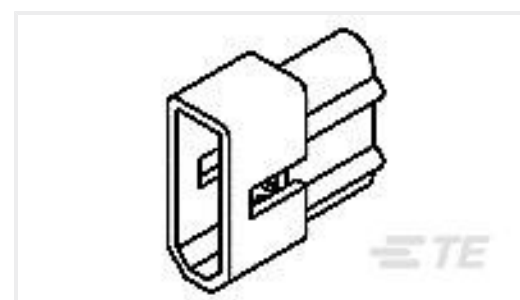


Spade Terminals(157)



Splices(44)

## Customers Also Bought

TE Part #HD34-24-31PT  
REC, 31P, AL, T, 16, PTE Part #HDP26-24-31ST-L015  
PLG, 31P, BLK, T, THD, 16, STE Part #DT04-3P-EE01  
REC, 3P, BLK, N, XCAPTE Part #2-31886-2  
PIDG R 22-16 COMM 22-18 MIL 8TE Part #1-640518-0  
03P MR II PLUG HSGTE Part #DT06-3S-EP11  
PLG, 3P, BLK, N, SEAL RET, XCAPTE Part #2-34163-1  
TERMINAL, PG R 16-14 5/16TE Part #350629-5  
.062 COMM P&S PIN AUNI/BRTE Part #5-102398-7  
18 AMPMODU MT ASSY DR .100CLTE Part #770275-1  
04P .062 COMM P&S PLUG

## Documents

### Product Drawings

[SPLICE,PG BUTT 16-14](#)

English

### CAD Files

[3D PDF](#)

3D

[Customer View Model](#)

[ENG\\_CVM\\_CVM\\_34204\\_M.2d\\_dxf.zip](#)



English

**Customer View Model**

[ENG\\_CVM\\_CVM\\_34204\\_M.3d\\_igs.zip](#)

English

**Customer View Model**

[ENG\\_CVM\\_CVM\\_34204\\_M.3d\\_stp.zip](#)

English

By downloading the CAD file I accept and agree to the [Terms and Conditions](#) of use.

---

**Product Specifications**

[Application Specification](#)

English

---

**Instruction Sheets**

[Instruction Sheet \(U.S.\)](#)

English

---

**Agency Approvals**

[UL Report](#)

English