

1-794953-4 ✓ ACTIVE



## VAL-U-LOK

TE Internal #: 1-794953-4

Wire-to-Panel / Wire-to-Wire, 14 Position, 4.2 mm [.165 in]  
Centerline, 2 Row, Nylon, Plug, Pin, Wire & Cable, Power,  
Rectangular Connector Housings

[View on TE.com >](#)

Connectors > Rectangular Connectors > Rectangular Connector Housings



Connector System: **Wire-to-Panel, Wire-to-Wire**

Number of Positions: **14**

Centerline (Pitch): **4.2 mm [.165 in]**

Number of Rows: **2**

Housing Material: **Nylon**

### Features

#### Product Type Features

Connector System	Wire-to-Panel, Wire-to-Wire
Connector & Housing Type	Plug
Sealable	No
Connector & Contact Terminates To	Wire & Cable

#### Configuration Features

Number of Positions	14
Number of Rows	2
Compatible With Wire & Cable Type	Discrete Wire
Insertion Force	15 Newton
Number of Signal Positions	14

#### Housing Features

Centerline (Pitch)	4.2 mm [.165 in]
Housing Material	Nylon
Housing Color	Natural



### Contact Features

Contact Type	Pin
Contact Layout	Matrix

### Operation/Application

Circuit Application	Power
---------------------	-------

### Mechanical Attachment

Connector Mounting Type	Panel Mount, Cable Mount (Free-Hanging)
-------------------------	---

### Usage Conditions

Operating Temperature Range	-40 – 105 °C[-40 – 221 °F]
-----------------------------	----------------------------

### Other

EU RoHS Compliance	Compliant
--------------------	-----------

### Electrical Characteristics

Operating Voltage	600 VAC
-------------------	---------

### Dimensions

Row-to-Row Spacing	4.2 mm[.165 in]
Product Width	23.9 mm[.94 in]
Product Length	30.6 mm[1.204 in]
Connector Height	9.6 mm[.378 in]

### Identification Marking

Circuit Identification Feature	With
--------------------------------	------

### Industry Standards

Compatible With Agency/Standards Products	UL, CSA
UL Flammability Rating	UL 94V-2
Compatible With Approved Standards Products	UL E28476
CSA Rating	208567
Glow Wire Rating	Standard Part - Not Glow Wire

### Packaging Features

Packaging Method	Bag/Box
Packaging Quantity	500

### Product Compliance

[For compliance documentation, visit the product page on TE.com>](#)



EU RoHS Directive 2011/65/EU	Compliant
EU ELV Directive 2000/53/EC	Not Yet Reviewed
China RoHS 2 Directive MIIT Order No 32, 2016	No Restricted Materials Above Threshold
EU REACH Regulation (EC) No. 1907/2006	Current ECHA Candidate List: JUNE 2024 (241) Candidate List Declared Against: JAN 2021 (211) Does not contain REACH SVHC
Halogen Content	Not Low Halogen - contains Br or Cl > 900 ppm.
Solder Process Capability	Not applicable for solder process capability

Product Compliance Disclaimer

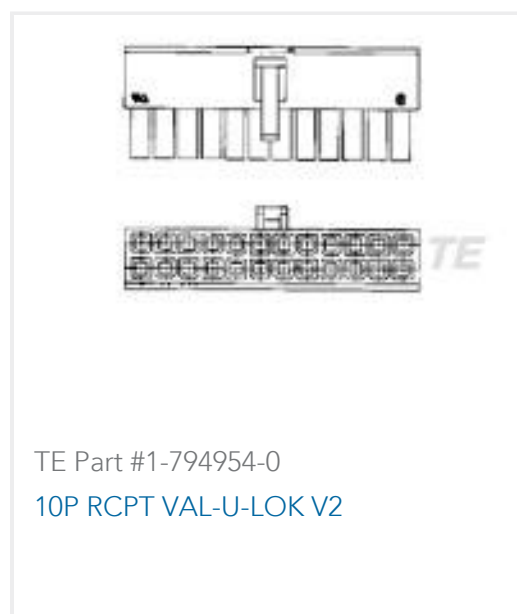
This information is provided based on reasonable inquiry of our suppliers and represents our current actual knowledge based on the information they provided. This information is subject to change. The part numbers that TE has identified as EU RoHS compliant have a maximum concentration of 0.1% by weight in homogenous materials for lead, hexavalent chromium, mercury, PBB, PBDE, DBP, BBP, DEHP, DIBP, and 0.01% for cadmium, or qualify for an exemption to these limits as defined in the Annexes of Directive 2011/65/EU (RoHS2). Finished electrical and electronic equipment products will be CE marked as required by Directive 2011/65/EU. Components may not be CE marked. Additionally, the part numbers that TE has identified as EU ELV compliant have a maximum concentration of 0.1% by weight in homogenous materials for lead, hexavalent chromium, and mercury, and 0.01% for cadmium, or qualify for an exemption to these limits as defined in the Annexes of Directive 2000/53/EC (ELV). Regarding the REACH Regulation, the information TE provides on SVHC in articles for this part number is based on the latest European Chemicals Agency (ECHA) 'Guidance on requirements for substances in articles' posted at this URL: <https://echa.europa.eu/guidance-documents/guidance-on-reach>

### Compatible Parts

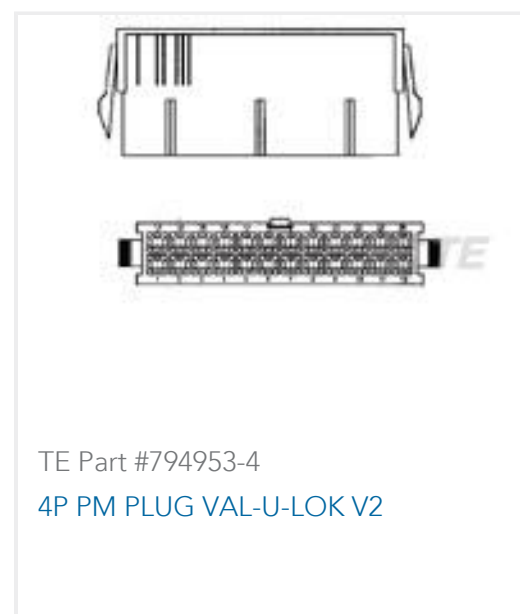


### Customers Also Bought

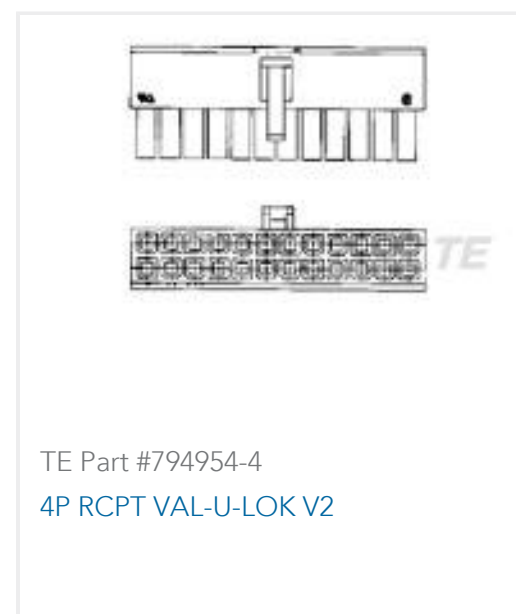




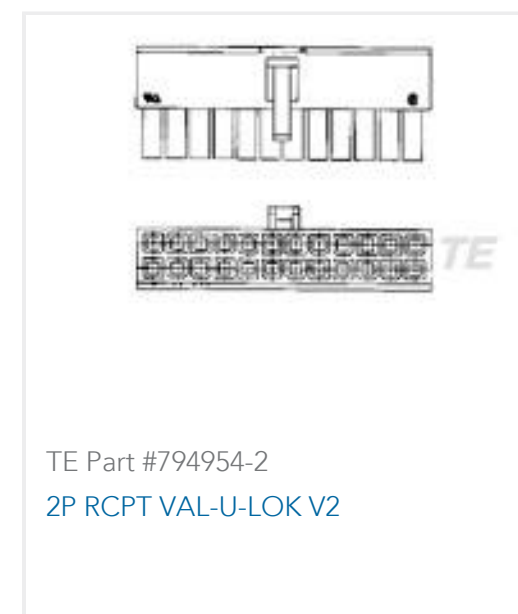
TE Part #1-794954-0  
10P RCPT VAL-U-LOK V2



TE Part #794953-4  
4P PM PLUG VAL-U-LOK V2



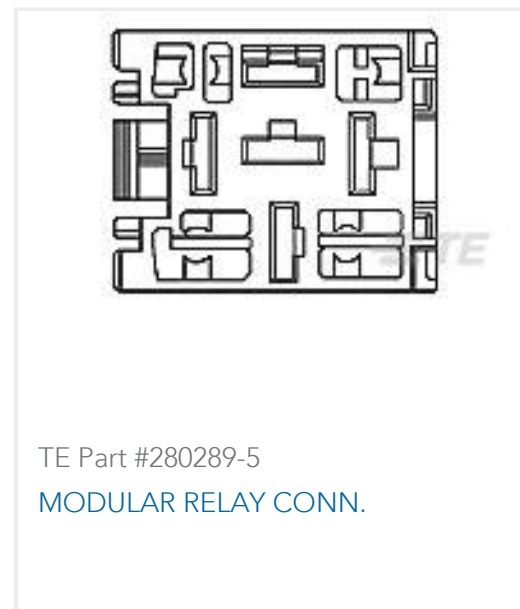
TE Part #794954-4  
4P RCPT VAL-U-LOK V2



TE Part #794954-2  
2P RCPT VAL-U-LOK V2



TE Part #928901-4  
PL 250 REC TERMINAL 17-13 TPPB LP



TE Part #280289-5  
MODULAR RELAY CONN.

## Documents

### Product Drawings

#### 14P PM PLUG VAL-U-LOK V2

English

### CAD Files

#### 3D PDF

3D

#### Customer View Model

[ENG\\_CVM\\_CVM\\_1-794953-4\\_C.2d\\_dxf.zip](#)

English

#### Customer View Model

[ENG\\_CVM\\_CVM\\_1-794953-4\\_C.3d\\_igs.zip](#)

English

#### Customer View Model

[ENG\\_CVM\\_CVM\\_1-794953-4\\_C.3d\\_stp.zip](#)

English

By downloading the CAD file I accept and agree to the [Terms and Conditions](#) of use.

### Datasheets & Catalog Pages

#### SOFT\_SHELL\_PIN\_AND\_SOCKET\_CONNECTORS\_CATALOG

English

### Product Specifications

#### Application Specification

English

### Agency Approvals

#### UL Report



English