

1742543-1 ✓ ACTIVE

FASTON | FASTON 250

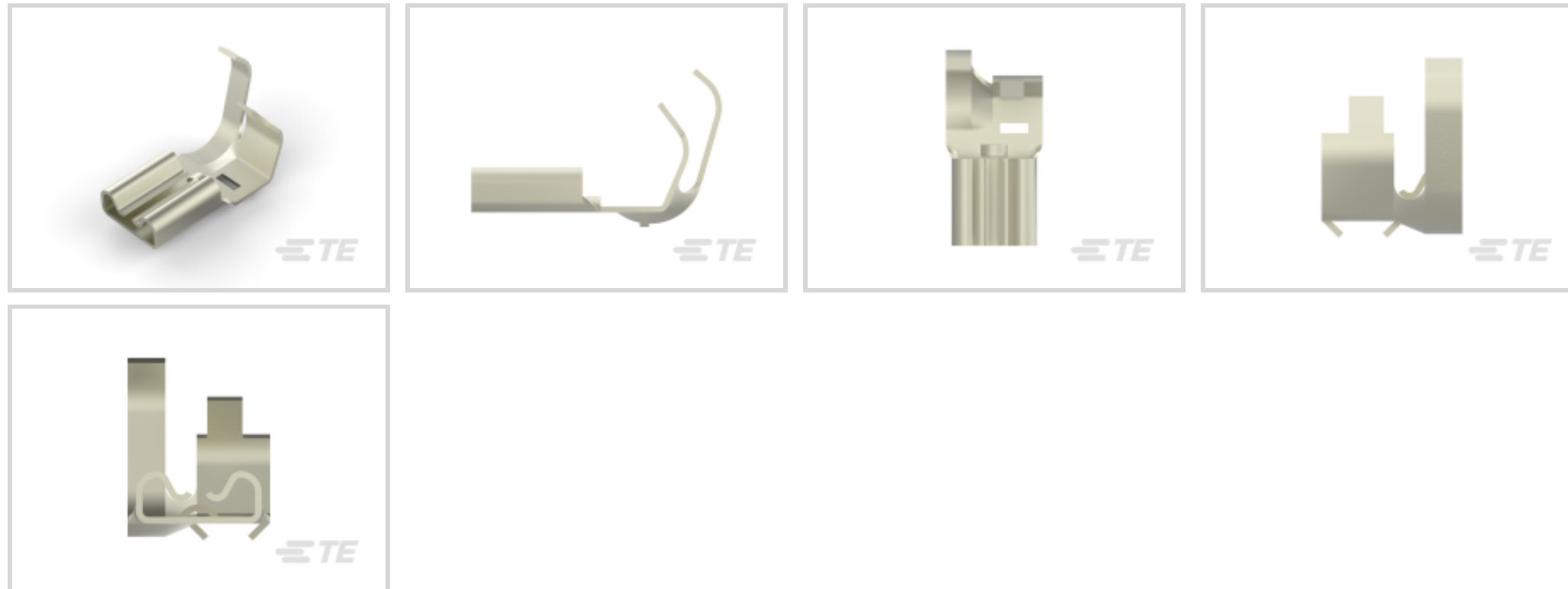
TE Internal #: 1742543-1

Receptacle, 18 – 12 AWG Wire Size, .82 – 3.31 mm<sup>2</sup> Wire Size,  
Mating Tab Width 6.35 mm [.25 in], Flag, Steel, FASTON 250, Quick  
Disconnects

[View on TE.com >](#)



Terminals & Splices > Quick Disconnects



Quick Disconnect Terminal Type: **Receptacle**

Wire Size: **.82 – 3.31 mm<sup>2</sup>**

Mating Tab Width: **6.35 mm [.25 in]**

Mating Tab Thickness: **.81 mm [.032 in]**

## Features

### Contact Features

Quick Disconnect Terminal Type	Receptacle
Mating Tab Width	6.35 mm [.25 in]
Mating Tab Thickness	.81 mm [.032 in]
Terminal Orientation	Flag
Contact Base Material	Steel
Terminal Plating Material	Nickel
Crimp Type	Tab-Lok
Barrel Type	Open

### Dimensions

Wire Size	.82 – 3.31 mm <sup>2</sup>
Product Length	17.02 mm [.67 in]
Compatible Insulation Diameter Range	2.79 – 5.33 mm [.11 – .21 in]
Terminal Material Thickness	.41 mm [.016 in]

### Packaging Features

Packaging Method	Strip/Reel
------------------	------------



Packaging Quantity	3500
--------------------	------

### Product Type Features

Insertion Force	Low
-----------------	-----

### Usage Conditions

Insulation Option	Uninsulated
-------------------	-------------

Operating Temperature Range	-40 – 250 °C[-40 – 482 °F]
-----------------------------	----------------------------

### Other

EU RoHS Compliance	Compliant
--------------------	-----------

EU ELV Compliance	Compliant
-------------------	-----------

Line	Premier
------	---------

### Configuration Features

Compatible With Wire & Cable Type	Discrete Wire
-----------------------------------	---------------

Connection Capacity	Single
---------------------	--------

### Termination Features

Product Terminates To	Wire & Cable
-----------------------	--------------

### Mechanical Attachment

Wire Insulation Support	With
-------------------------	------

Mating Retention Type	Dimple
-----------------------	--------

### Industry Standards

Compatible With Agency/Standards Products	RU (UL Component Program), UL
---	-------------------------------

Compatible With Approved Standards Products	UL E66717
---	-----------

## Product Compliance

[For compliance documentation, visit the product page on TE.com>](#)

EU RoHS Directive 2011/65/EU	Compliant
------------------------------	-----------

EU ELV Directive 2000/53/EC	Compliant
-----------------------------	-----------

China RoHS 2 Directive MIIT Order No 32, 2016	No Restricted Materials Above Threshold
---	---

EU REACH Regulation (EC) No. 1907/2006	Current ECHA Candidate List: JUNE 2024 (241) Candidate List Declared Against: JUNE 2024 (241) Does not contain REACH SVHC
--	---

Halogen Content	Low Halogen - Br, Cl, F, I < 900 ppm per
-----------------	--



homogenous material. Also BFR/CFR/PVC Free

Solder Process Capability

Not applicable for solder process capability

Product Compliance Disclaimer

This information is provided based on reasonable inquiry of our suppliers and represents our current actual knowledge based on the information they provided. This information is subject to change. The part numbers that TE has identified as EU RoHS compliant have a maximum concentration of 0.1% by weight in homogenous materials for lead, hexavalent chromium, mercury, PBB, PBDE, DBP, BBP, DEHP, DIBP, and 0.01% for cadmium, or qualify for an exemption to these limits as defined in the Annexes of Directive 2011/65/EU (RoHS2). Finished electrical and electronic equipment products will be CE marked as required by Directive 2011/65/EU. Components may not be CE marked. Additionally, the part numbers that TE has identified as EU ELV compliant have a maximum concentration of 0.1% by weight in homogenous materials for lead, hexavalent chromium, and mercury, and 0.01% for cadmium, or qualify for an exemption to these limits as defined in the Annexes of Directive 2000/53/EC (ELV). Regarding the REACH Regulation, the information TE provides on SVHC in articles for this part number is based on the latest European Chemicals Agency (ECHA) 'Guidance on requirements for substances in articles' posted at this URL: <https://echa.europa.eu/guidance-documents/guidance-on-reach>

### Compatible Parts



TE Part # 2390747-1  
250 FASTON FLAG HOUSING 1P, NAT



TE Part # 2390748-1  
250 FASTON FLAG HOUSING 2P, NAT



TE Part # 2390748-2  
250 FASTON FLAG HOUSING 2P, BLUE



TE Part # 2390748-3  
250 FASTON FLAG HOUSING 2P, RED



TE Part # 1969507-9  
250 FASTON HSG., FLAG, REC., 1 POS, NATURAL



TE Part # 2238142-1  
250 FASTON, FLAG, REC., 22-16 AWG, NPST



TE Part # 1969507-2  
250 FASTON HSG., FLAG, REC., 1 POS, NATURAL



TE Part # 1852633-1  
EAPOHB160TABLOCK1800 LM/G-HINGE BAR



TE Part # 1852895-1  
HDM EMPO K-HINGE BAR



TE Part # 565504-1  
STD HBEMPR160T1800K



TE Part # 565504-3  
STD HBEMPR160T2200K

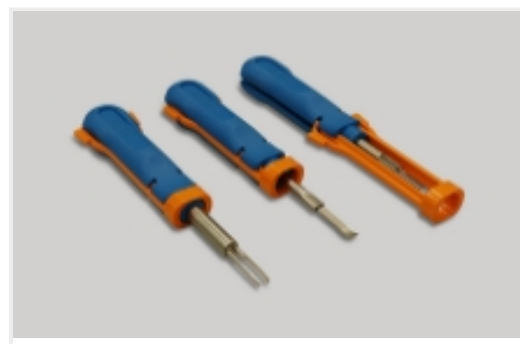
Also in the Series | **FASTON 250**



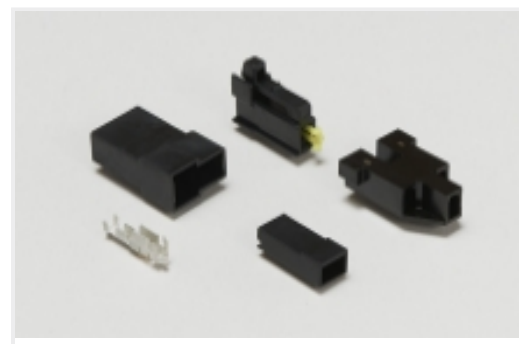
Compression Connectors(4)



Crimp Terminal Housings(132)



Insertion & Extraction Tools(6)



Magnet Wire Terminals(1)



PCB Terminals(134)



Quick Disconnects(425)



Splices(4)

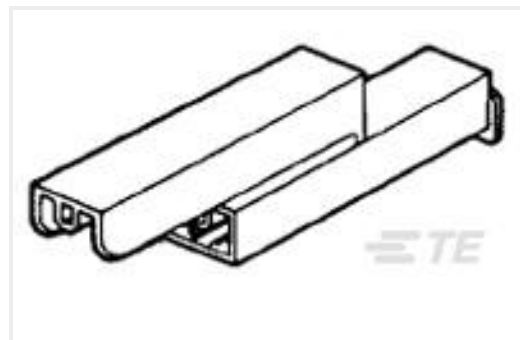
## Customers Also Bought



TE Part #1971786-2  
Tab Contact — POWER TRIPLE LOCK



TE Part #2238041-1  
187 FASTON,REC.,20-16 AWG,NPST



TE Part #1-174712-1  
187 HSG. PL MKII REC. 6.65mm 2P NAT



TE Part #1742626-1  
250 FASTON,FLAG,REC.,16-14 AWG, NPST



TE Part #2-35771-1  
TERMINAL,SOLIS R 12-10 10



TE Part #5-2232356-7  
PTL 3X5 CAP PANEL MT GLW WIRE KEY A DGR



TE Part #1-2232890-3  
3P MONOPLUG 2.5 SELECTIVELY LOADED



TE Part #521955-2  
PL MKIII 250 REC HSG 2P

## Documents

### Product Drawings

[250 FASTON,FLAG,REC.,18-12 AWG,NPST](#)

English

### CAD Files

[3D PDF](#)

[3D](#)

[Customer View Model](#)

[ENG\\_CVM\\_CVM\\_1742543-1\\_A.2d\\_dxf.zip](#)



English

Customer View Model

[ENG\\_CVM\\_CVM\\_1742543-1\\_A.3d\\_igs.zip](#)

English

Customer View Model

[ENG\\_CVM\\_CVM\\_1742543-1\\_A.3d\\_stp.zip](#)

English

By downloading the CAD file I accept and agree to the [Terms and Conditions](#) of use.

---

### Datasheets & Catalog Pages

[82004 FASTON Terminals \(Insulated and Uninsulated\) Catalog - FASTON Receptacles Section](#)

English

[1-1773948-2 Standard Line FASTON Receptacles QRG](#)

English

[Introductory Flyer - Low Insertion Force FASTON Terminals](#)

English

---

### Product Specifications

[Application Specification](#)

English