

WE RECOMMEND THESE CONNECTORS FOR OPTIMAL SERVICE LEVEL



- SHORT LEAD-TIMES
- LOW MOQs
- QUICK SAMPLING
- AVAILABLE AT DISTRIBUTION

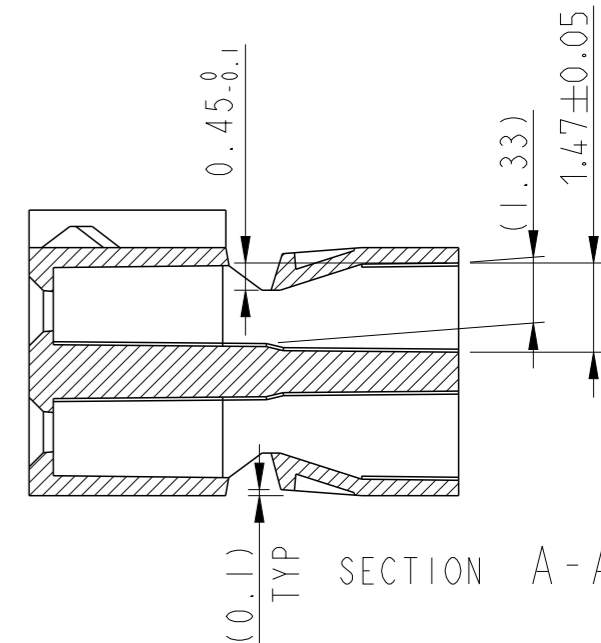
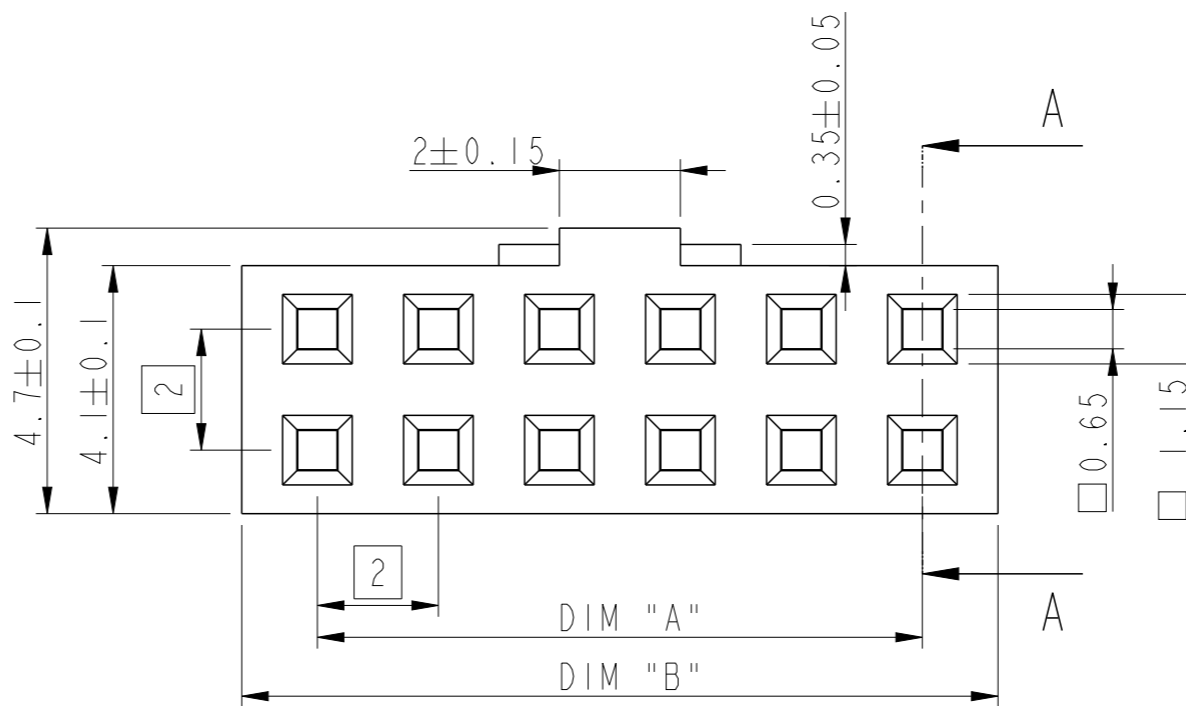
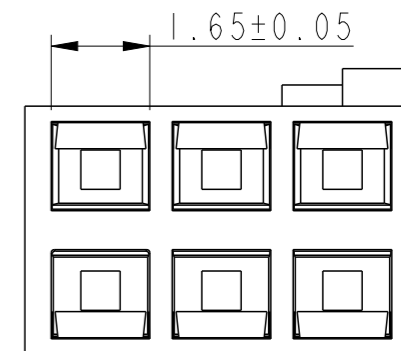
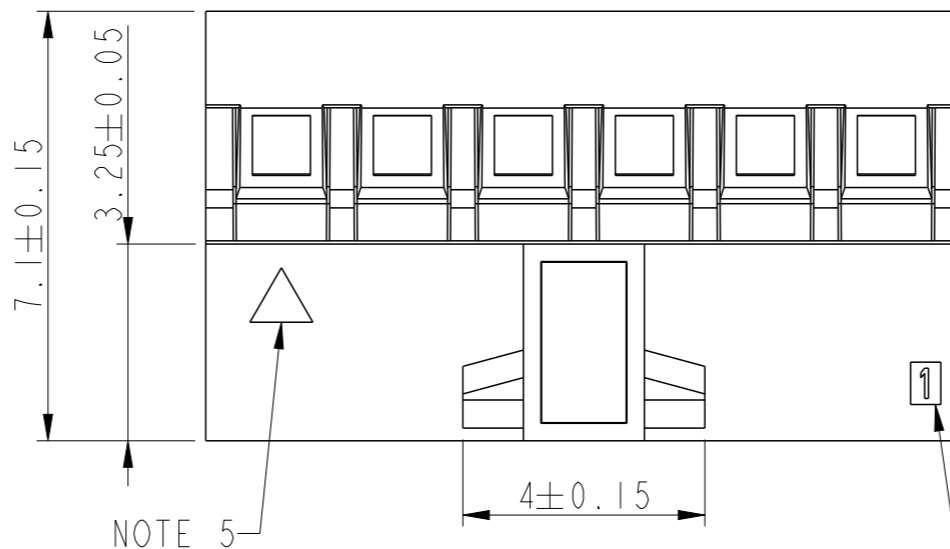


90311-006LF
90311-008LF
90311-010LF
90311-012LF
90311-014LF
90311-016LF
90311-020LF
90311-024LF
90311-026LF
90311-032LF
90311-050LF

TOTAL NUMBER OF POS

NOTES:

- MATERIAL : PA66 25% GLASSFILLED, UL94V-0 COLOR BLACK.
- SHEET 2 SHOWS THE SINGULAR LATCHING FEATURE FOR 2X2.
- PRODUCT MEETS EUROPEAN UNION DIRECTIVES AND OTHERS REGULATIONS AS DESCRIBED IN GS-22-008.
- THIS PRODUCT IS NOT INTENDED TO BE EXPOSED TO MANUFACTURING SOLDER PROCESSES.
- CODING TRIANGLE INDICATES POS 1 WHEN MATED WITH MINITEK HEADER SERIES 98414 / 98417 / 98424 / 98464 / 10072354 / 10074920 AND 10075974.
- INDICATES POS 1, WHEN MATED WITH SERIES 90309 / 95609 / AND 95615.
- FOR USE WITH MINITEK CRIMP TO WIRE CONTACT 77138 (26-30AWG) AND 10044403 (22-24AWG).
- PRODUCT SPECIFICATION AS PER 110-036, CONTACT CRIMP RECOMMENDATIONS AS PER GS-20-058.
- THIS PART SERIES IS NOT INITIALLY INTENDED FOR AUTOMOTIVE APPLICATIONS. ADDITIONAL FEES ARE CHARGEABLE FOR ANY ADDITIONAL QUALIFICATION AND TEST REPORTS PERFORMED OUTSIDE THE SCOPE OF THE STANDARD PRODUCT SPECIFICATIONS.
- UNLESS OTHERWISE APPROVED BY AMPHENOL, ALL PARTS AND COMPONENTS ARE DESIGNED & BUILT ACCORDING TO AMPHENOL'S SPECIFICATIONS WHICH ARE SUBJECT TO CHANGE WITHOUT NOTICE.



spec ref	dr	Detouillon, Da	2024/11/14	projection	MM	size	A3	scale	8:1
tolerance std	eng	Detouillon, Da	2025/12/17			ecn no	ELX-F-58671-1		
TOLERANCES UNLESS OTHERWISE SPECIFIED						product family	-	rel level	Released
surface	linear	0.X	±0.3			MINITEK CTW HSG DBL ROW POL & LATCHING, HIGH TEMPERATURE	dwg no 90311	rev Y	angular 0° ±2°
		0.XX	±0.13						
		0.XXX	±0.05						
amphenol-icc.com				cat. no.	-	Product - Customer Drw	sheet 1 of 2		

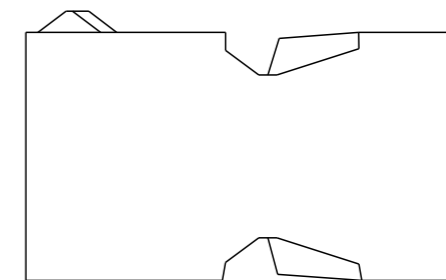
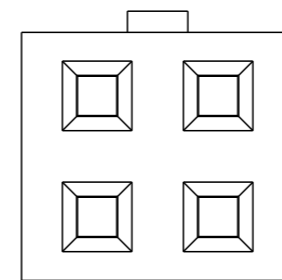
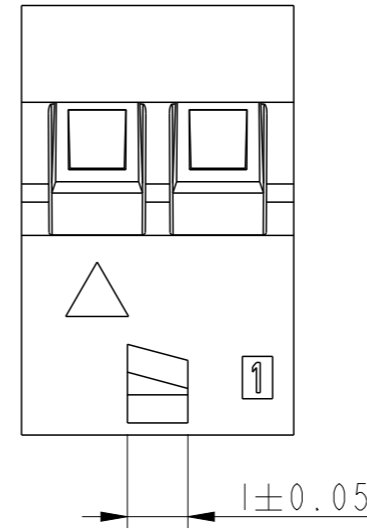
EXTENDED RANGE

PRODUCT NUMBER

90311-0XXLF

TOTAL NUMBER OF POS 04 UP TO 50

PRODUCT NUMBER	SIZE	DIM A	DIM B
90311-004LF	2x2	2.0	4.4
90311-006LF	2x3	4.0	6.4
90311-008LF	2x4	6.0	8.4
90311-010LF	2x5	8.0	10.4
90311-012LF	2x6	10.0	12.4
90311-014LF	2x7	12.0	14.4
90311-016LF	2x8	14.0	16.4
90311-018LF	2x9	16.0	18.4
90311-020LF	2x10	18.0	20.4
90311-022LF	2x11	20.0	22.4
90311-024LF	2x12	22.0	24.4
90311-026LF	2x13	24.0	26.4
90311-028LF	2x14	26.0	28.4
90311-030LF	2x15	28.0	30.4
90311-032LF	2x16	30.0	32.4
90311-034LF	2x17	32.0	34.4
90311-036LF	2x18	34.0	36.4
90311-038LF	2x19	36.0	38.4
90311-040LF	2x20	38.0	40.4
90311-042LF	2x21	40.0	42.4
90311-044LF	2x22	42.0	44.4
90311-046LF	2x23	44.0	46.4
90311-048LF	2x24	46.0	48.4
90311-050LF	2x25	48.0	50.4



spec ref	dr	Detouillon, Da	2024/11/14	projection	MM	size	A3	scale	8:1
tolerance std	eng	Detouillon, Da	2025/12/17			ecn no	ELX-F-58671-1		
TOLERANCES UNLESS OTHERWISE SPECIFIED						product family	-	rel level	Released
surface	linear	0.X	±0.3		MINITEK CTW HSG DBL ROW POL & LATCHING, HIGH TEMPERATURE	dwg no	90311	rev	Y
		0.XX	±0.13						
		0.XXX	±0.05						
	angular	0°	±2°	amphenol-icc.com	cat. no.	-	Product - Customer Drw	sheet 2 of 2	