



Connectors > RF Connectors > Coax Connectors



RF Interface: **BNC**

RF Connector Style: **Jack**

RF Connector Mated Outer Diameter (Approximate): **14.53 mm [.572 in]**

Impedance: **50 Ω**

Compatible With RF Cable Type: **RG 59B, RG 59A, RG 59, RG 62B, RG 62, RG 62A**

Features

Contact Features

RF Connector Center Contact Plating Material	1080 μin
RF Connector Center Contact Material	Gold
Crimp Type	Beryllium Copper
RF Connector Center Contact Underplating Material	Dual
	Nickel

Product Type Features

RF Interface	BNC
RF Connector Style	Jack
Compatible With RF Cable Type	RG 59B, RG 59A, RG 59, RG 62B, RG 62, RG 62A
Connector System	Cable-to-Board
Sealable	No
Connector & Contact Terminates To	Wire & Cable

Dimensions

RF Connector Mated Outer Diameter (Approximate)	14.53 mm[.572 in]
---	-------------------

Electrical Characteristics

Impedance	50 Ω
-----------	------

Mechanical Attachment

RF Connector Coupling Mechanism	Bayonet
Connector Mounting Type	Panel Mount

RF Contact Captivation Method	Mechanical
-------------------------------	------------

Detent	With
--------	------

Operation/Application

Operating Frequency	4 GHz
---------------------	-------

Configuration Features

Number of Positions	1
---------------------	---

Number of Coaxial Contacts	1
----------------------------	---

Termination Features

Termination Method to Wire & Cable	Crimp
------------------------------------	-------

Body Features

Cable Connector Orientation	Straight
-----------------------------	----------

Body Material	Zinc
---------------	------

Body Plating Material	Nickel
-----------------------	--------

Other

Dielectric Material	Polypropylene
---------------------	---------------

EU RoHS Compliance	Compliant with Exemptions
--------------------	---------------------------

EU ELV Compliance	Compliant with Exemptions
-------------------	---------------------------

Coupling Nut Base Material	Brass
----------------------------	-------

Grade	Commercial
-------	------------

Packaging Features

Packaging Method	Carton
------------------	--------

Usage Conditions

Insulation Option	Uninsulated
-------------------	-------------

Product Compliance

[For compliance documentation, visit the product page on TE.com>](#)

EU RoHS Directive 2011/65/EU	Compliant with Exemptions
------------------------------	---------------------------

EU ELV Directive 2000/53/EC	Compliant with Exemptions
-----------------------------	---------------------------

China RoHS 2 Directive MIIT Order No 32, 2016	Restricted Materials Above Threshold
---	--------------------------------------

EU REACH Regulation (EC) No. 1907/2006	Current ECHA Candidate List: JUNE 2024 (241) Candidate List Declared Against: JUNE 2024 (241)
--	--



SVHC > Threshold:

Pb (3.7% in Component Part)

Article Safe Usage Statements:

Do not eat, drink or smoke when using this product. Wash thoroughly after handling. Recycle if possible and dispose of the article by following all applicable governmental regulations relevant to your geographic location.

Halogen Content

Low Halogen - Br, Cl, F, I < 900 ppm per homogenous material. Also BFR/CFR/PVC Free

Solder Process Capability

Not applicable for solder process capability

Product Compliance Disclaimer

This information is provided based on reasonable inquiry of our suppliers and represents our current actual knowledge based on the information they provided. This information is subject to change. The part numbers that TE has identified as EU RoHS compliant have a maximum concentration of 0.1% by weight in homogenous materials for lead, hexavalent chromium, mercury, PBB, PBDE, DBP, BBP, DEHP, DIBP, and 0.01% for cadmium, or qualify for an exemption to these limits as defined in the Annexes of Directive 2011/65/EU (RoHS2). Finished electrical and electronic equipment products will be CE marked as required by Directive 2011/65/EU. Components may not be CE marked. Additionally, the part numbers that TE has identified as EU ELV compliant have a maximum concentration of 0.1% by weight in homogenous materials for lead, hexavalent chromium, and mercury, and 0.01% for cadmium, or qualify for an exemption to these limits as defined in the Annexes of Directive 2000/53/EC (ELV). Regarding the REACH Regulation, the information TE provides on SVHC in articles for this part number is based on the latest European Chemicals Agency (ECHA) 'Guidance on requirements for substances in articles' posted at this URL: <https://echa.europa.eu/guidance-documents/guidance-on-reach>

Customers Also Bought



TE Part #DT04-2P
REC, 2P, GRY, N



TE Part #W2S
Wedgelocks: DEUTSCH DT



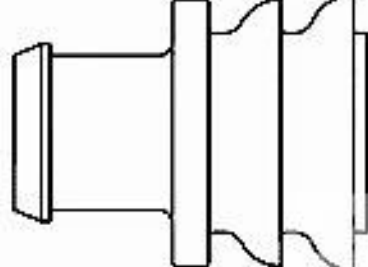
TE Part #0460-202-16141
DEUTSCH Solid Contacts



TE Part #282104-1
AMP SUPERSEAL 1.5MM,
CONNECTOR HOUSING



TE Part #DT06-2S
PLG, 2P, GRY, N



TE Part #281934-2
SINGLE WIRE SEAL



TE Part #114017-ZZ
SEALING PLUG, SIZE 12/16, WHT

Documents

Product Drawings

JACK,COML,SERIES BNC,GOLD PL

English

CAD Files



3D PDF

3D

Customer View Model

[ENG_CVM_CVM_5228979-6_A.2d_dxf.zip](#)

English

Customer View Model

[ENG_CVM_CVM_5228979-6_A.3d_igs.zip](#)

English

Customer View Model

[ENG_CVM_CVM_5228979-6_A.3d_stp.zip](#)

English

By downloading the CAD file I accept and agree to the [Terms and Conditions](#) of use.

Datasheets & Catalog Pages

[BNC Connectors](#)

English

Product Specifications

[Product Specification](#)

English

[Commercial BNC Coaxial Bulkhead Jacks](#)

English