

520988-1 ✓ ACTIVE

Ultra-Pod | Ultra-Pod 250

TE Internal #: 520988-1

Receptacle, 22 – 18 AWG Wire Size, .32 – .82 mm² Wire Size,
Mating Tab Width 6.35 mm [.25 in], Straight, Brass, Ultra-Pod 250,
Quick Disconnects

[View on TE.com >](#)



Terminals & Splices > Quick Disconnects > ULTRA POD: Straight, Receptacle Assembly, Unplated, .250 inch



Quick Disconnect Terminal Type: **Receptacle**

Wire Size: .32 – .82 mm²

Mating Tab Width: 6.35 mm [.25 in]

Mating Tab Thickness: .81 mm [.032 in]

[All ULTRA POD: Straight, Receptacle Assembly, Unplated, .250 inch \(11\)](#)

Features

Contact Features

| | |
|--------------------------------|------------------|
| Quick Disconnect Terminal Type | Receptacle |
| Mating Tab Width | 6.35 mm [.25 in] |
| Mating Tab Thickness | .81 mm [.032 in] |
| Terminal Orientation | Straight |
| Contact Base Material | Brass |
| Terminal Plating Material | Unplated |
| Crimp Type | F-Crimp |
| Barrel Type | Open |

Dimensions

| | |
|--------------------------------------|------------------------------|
| Wire Size | .32 – .82 mm ² |
| Product Length | 34.67 mm [1.365 in] |
| Compatible Insulation Diameter Range | 2.29 – 3.3 mm [.09 – .13 in] |
| Terminal Material Thickness | .41 mm [.016 in] |



Packaging Features

| | |
|--------------------|------------|
| Packaging Method | Strip/Reel |
| Packaging Quantity | 2000 |

Product Type Features

| | |
|-----------------|-----|
| Insertion Force | Low |
|-----------------|-----|

Usage Conditions

| | |
|-----------------------------|----------------------------|
| Insulation Option | Fully Insulated |
| Operating Temperature Range | -40 – 150 °C[-40 – 302 °F] |

Other

| | |
|--------------------|-----------|
| EU RoHS Compliance | Compliant |
| EU ELV Compliance | Compliant |
| Barrel Color | Natural |

Configuration Features

| | |
|-----------------------------------|---------------|
| Compatible With Wire & Cable Type | Discrete Wire |
| Connection Capacity | Single |

Electrical Characteristics

| | |
|----------------|-------|
| Voltage Rating | 600 V |
|----------------|-------|

Body Features

| | |
|---------------------|-------|
| Insulation Material | Nylon |
|---------------------|-------|

Termination Features

| | |
|-----------------------|--------------|
| Product Terminates To | Wire & Cable |
|-----------------------|--------------|

Mechanical Attachment

| | |
|-------------------------|------|
| Wire Insulation Support | With |
|-------------------------|------|

Industry Standards

| | |
|---|-----------|
| Compatible With Agency/Standards Products | UL, CSA |
| UL Flammability Rating | UL 94V-2 |
| Compatible With Approved Standards Products | UL E66717 |

Product Compliance

For compliance documentation, visit the product page on [TE.com](https://www.te.com)>

| | |
|------------------------------|-----------|
| EU RoHS Directive 2011/65/EU | Compliant |
|------------------------------|-----------|



| | |
|---|---|
| EU ELV Directive 2000/53/EC | Compliant |
| China RoHS 2 Directive MIIT Order No 32, 2016 | No Restricted Materials Above Threshold |
| EU REACH Regulation (EC) No. 1907/2006 | Current ECHA Candidate List: JUNE 2024 (241) Candidate List Declared Against: JUNE 2024 (241) Does not contain REACH SVHC |
| Halogen Content | Low Halogen - Br, Cl, F, I < 900 ppm per homogenous material. Also BFR/CFR/PVC Free |
| Solder Process Capability | Not applicable for solder process capability |

Product Compliance Disclaimer

This information is provided based on reasonable inquiry of our suppliers and represents our current actual knowledge based on the information they provided. This information is subject to change. The part numbers that TE has identified as EU RoHS compliant have a maximum concentration of 0.1% by weight in homogenous materials for lead, hexavalent chromium, mercury, PBB, PBDE, DBP, BBP, DEHP, DIBP, and 0.01% for cadmium, or qualify for an exemption to these limits as defined in the Annexes of Directive 2011/65/EU (RoHS2). Finished electrical and electronic equipment products will be CE marked as required by Directive 2011/65/EU. Components may not be CE marked. Additionally, the part numbers that TE has identified as EU ELV compliant have a maximum concentration of 0.1% by weight in homogenous materials for lead, hexavalent chromium, and mercury, and 0.01% for cadmium, or qualify for an exemption to these limits as defined in the Annexes of Directive 2000/53/EC (ELV). Regarding the REACH Regulation, the information TE provides on SVHC in articles for this part number is based on the latest European Chemicals Agency (ECHA) 'Guidance on requirements for substances in articles' posted at this URL: <https://echa.europa.eu/guidance-documents/guidance-on-reach>

Compatible Parts



REPRESENTATION ONLY

TE Part # 90166-1
DAHT 250 FASTON REC 22-18 ASSY



REPRESENTATION ONLY

TE Part # 90165-1
DAHT 250 FASTON REC 18-14 ASSY



TE Part # 1969161-5
ULTRA-POD 250 ASY REC 0.3-0.8 MM2 TPBR



TE Part # 314917-1
EXT TL 250 U-POD STR IS9726



TE Part # 2217483-2
KIT, BTLI, DOUBLE ACTION HEAD



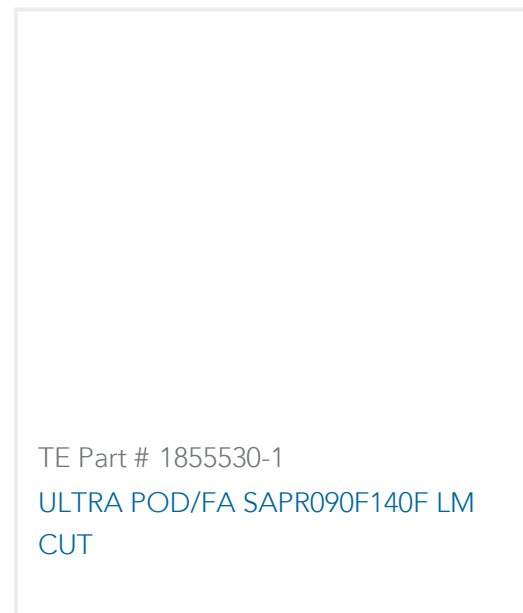
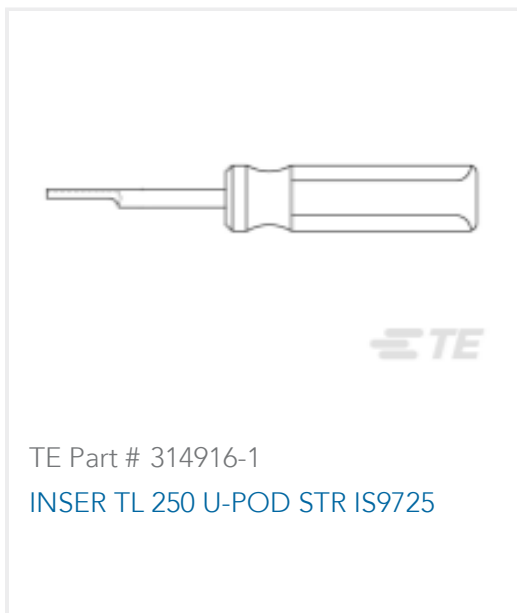
TE Part # 2217483-1
KIT, BTLI, DOUBLE ACTION HEAD



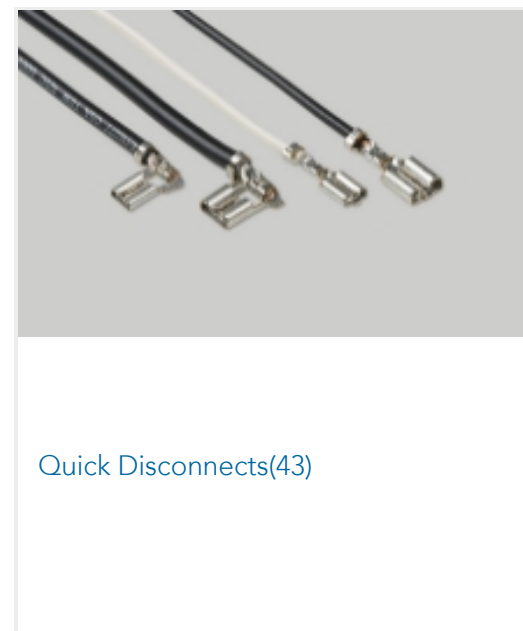
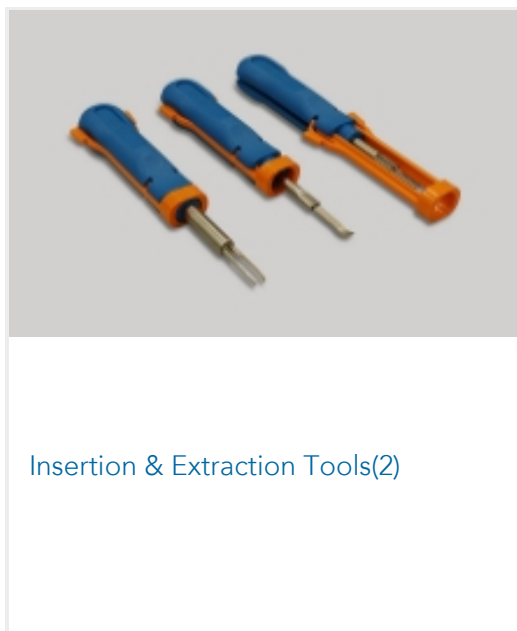
TE Part # 91514-1
CCII FASTON 250 REC 22-18 ASSY



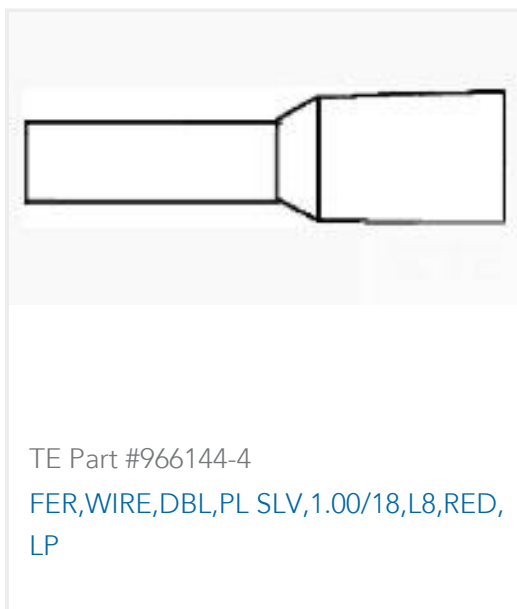
TE Part # 1852889-1
MACH,U-POD.250 SAPR090F130F LM



Also in the Series | **Ultra-Pod 250**



Customers Also Bought





Documents

Product Drawings

[ULTRA-POD 250 ASSY REC 22-18 AWG BR](#)

English

CAD Files

[3D PDF](#)

3D

Customer View Model

[ENG_CVM_CVM_520988-1_F.2d_dxf.zip](#)

English

Customer View Model

[ENG_CVM_CVM_520988-1_F.3d_igs.zip](#)

English

Customer View Model

[ENG_CVM_CVM_520988-1_F.3d_stp.zip](#)

English

By downloading the CAD file I accept and agree to the [Terms and Conditions](#) of use.

Datasheets & Catalog Pages

[Ultra-Fast and Ultra Fast Plus](#)

English

Product Specifications

[Application Specification](#)

English

Agency Approvals

[UL Report](#)

English

[UL Report](#)

English